

**Job Name: 25-3283 - Whitley County Detention Center**  
**Job Location: Williamsburg, KY**  
**Contractor: Rising Sun Development Company**

PC: E. Bradley  
 TECH: J. Horsley - F  
 Plant: 100



Structure ID: **DB2**

Spec: Storm  
 Type: STM.MH (Recessed pipe)  
 Size: 48"

Rim: 1086.19'  
 Invert: 1079.7'  
 Rim to Invert: 6.49'

Sump: 0"  
 Floor (Top): 1079.7'  
 Floor Height: 6"

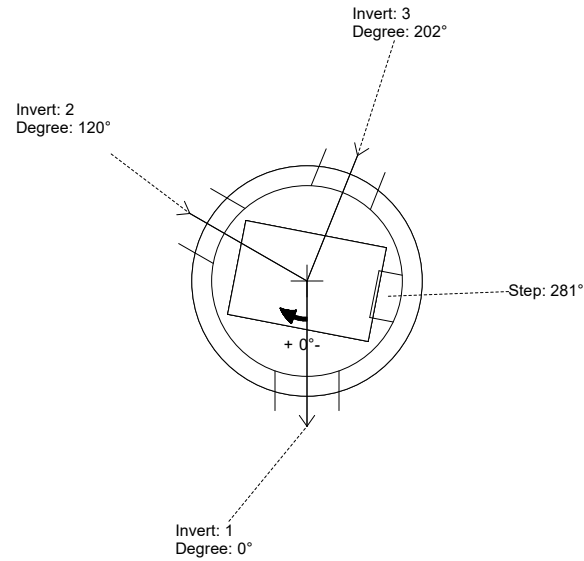
Floor (Bot): 1079.2'  
 Overall Height: 6.917'  
 Slack: 0.88"

**Structure Notes:**

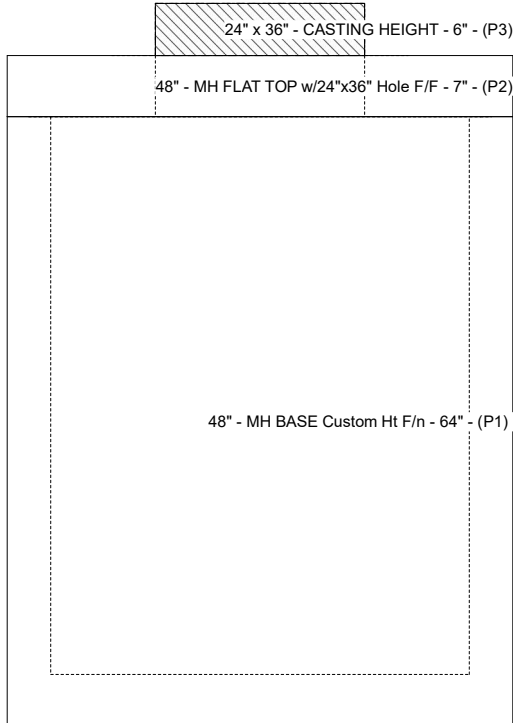
1. PER ASTM C-478 SPECIFICATIONS
2. CONCRETE: 4,000 PSI AT 28 DAYS
3. REINFORCEMENT:
  - FLAT LID: #4 BAR @ 10" C.C. E.W. (GRADE 60)
  - BASE: PER ASTM A615
4. STEPS AT 281 DEGREES
5. NO INVERT CHANNEL
6. CASTING SUPPLIED BY OTHERS (HOE 525 LV SET (FRAME / GRATE / CURB HOOD))

**STRUCTURE SUMMARY:**

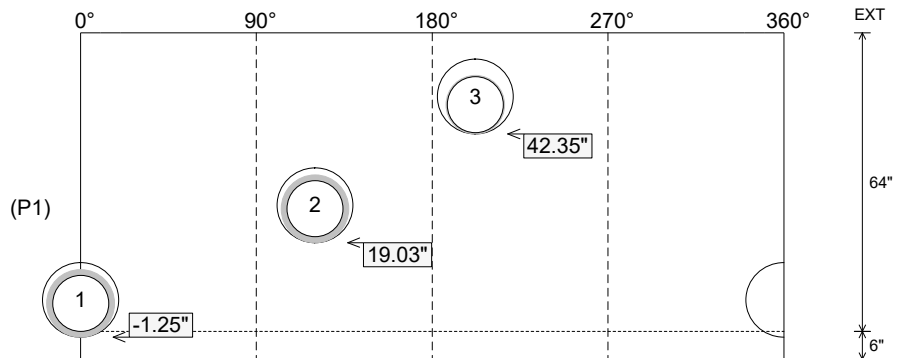
- P3) 24" x 36" - CASTING HEIGHT - 6" 0 lb
- P2) 48" - MH FLAT TOP w/24"x36" Hole F/F - 7" 1044 lb
- P1) 48" - MH BASE Custom Ht F/n - 64" 5544 lb
- 1) 48" - Conseal CS-102 1.00" 0 lb
- 1) 24" x 36" - Conseal CS-102 1.00" 0 lb
- 3) Hole - 16 0 lb
- 5) MH Step ML-10-TDS-NCR - 10" 0 lb
- Structure Total: 6588 lb



Position	Elev	Angle	Pipe	Pipe OD	Hole	Connector	Up (")	Ref
Rim	1086.19'							
Reducer								
Invert 1	1079.7'	0°	12" HDPE	14.5"	16"	Hole 16	-1.25"	P1
Invert 2	1081.39'	120°	12" HDPE	14.5"	16"	Hole 16	19.03"	P1
Invert 3	1083.25'	202°	12" PVC SDR35	12.5"	16"	Hole 16	42.35"	P1
Invert 4								
Invert 5								
Invert 6								
Invert 7								
Invert 8								



**Cast (Int. Dim.) - Interior Dimensions**



Submittal Drawing  
 12/17/2025 7:50:03 AM

SUBMITTAL  
 APPROVED BY: