

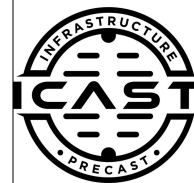
Job Name: 25-3283 - Whitley County Detention Center
 Job Location: Williamsburg, KY
 Contractor: Rising Sun Development Company

Plant: 100

12/17/2025 7:59:11 AM

Tech: J. Horsley - F

PC: E. Bradley



Structure ID: DB2

P2 MH048LD07-24X36RECT

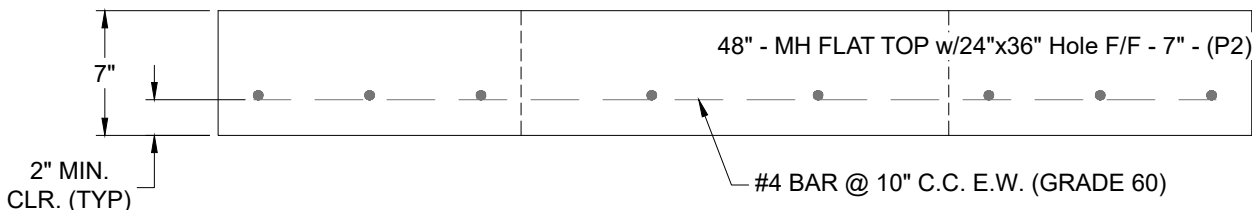
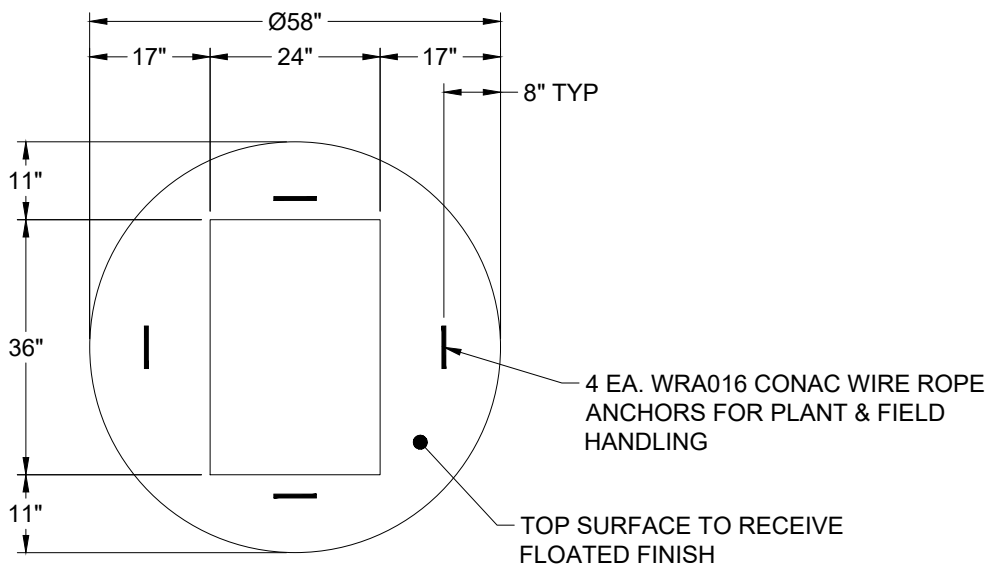
MH FLAT TOP w/24"x36" Hole F/F

- P3) 24" x 36" - CASTING HEIGHT - 6"
- P2) 48" - MH FLAT TOP w/24"x36" Hole F/F - 7"
- P1) 48" - MH BASE Custom Ht F/n - 64"
- 1) 48" - Conseal CS-102 1.00"
- 1) 24" x 36" - Conseal CS-102 1.00"
- 3) Hole - 16
- 5) MH Step ML-10-TDS-NCR - 10"

- 0 lb
- 1044 lb
- 5544 lb
- 0 lb
- 0 lb
- 0 lb
- 0 lb

Structure Total: 6588 lb

- Structure Notes:**
1. PER ASTM C-478 SPECIFICATIONS
 2. CONCRETE: 4,000 PSI AT 28 DAYS
 3. REINFORCEMENT: #4 BAR @ 10" C.C. E.W. (GRADE 60) - 2" MIN. REBAR CLEARANCE (TYP)
 4. STEPS AT 281 DEGREES
 5. NO INVERT CHANNEL
 6. CASTING SUPPLIED BY OTHERS (HOE 525 LV SET (FRAME / GRATE / CURB HOOD))
 7. LIFTERS: 4 EA. WRA016 CONAC WIRE ROPE ANCHORS FOR PLANT & FIELD HANDLING



Coating (Int):
Coating (Ext):

Seam Up: Flat
Seam Dn: Flat

Wall Thickness: 5"

Height (Ext): 7"

Weight (Net): 1044 lb
Volume (Net): 0.27cu.yd