

**Job Name: 25-3266 GAF Sanitary Sewer Relocation**  
**Job Location: MT. Vernon, IN**  
**Contractor: Deig Bros Lumber & Construction Co, Inc.**

PC: A. Chambers  
 TECH: J. Horsley -F  
 Plant: 100

**Structure ID: WET WELL**

Spec: Sanitary  
 Type: Wet Well  
 Size: 48"

Rim: 412'  
 Invert: 404'  
 Rim to Invert: 8'

Sump: 54"  
 Floor (Top): 399.5'  
 Floor Height: 12"

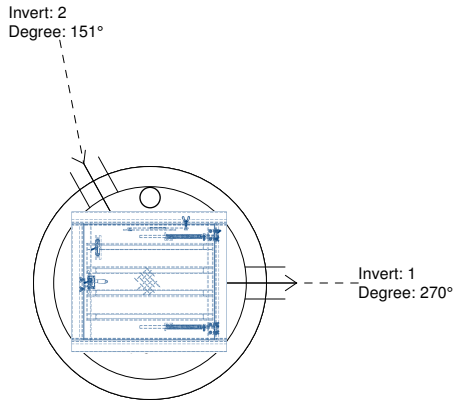
Floor (Bot): 398.5'  
 Overall Height: 13.5'  
 Slack: 0"

**Structure Notes:**

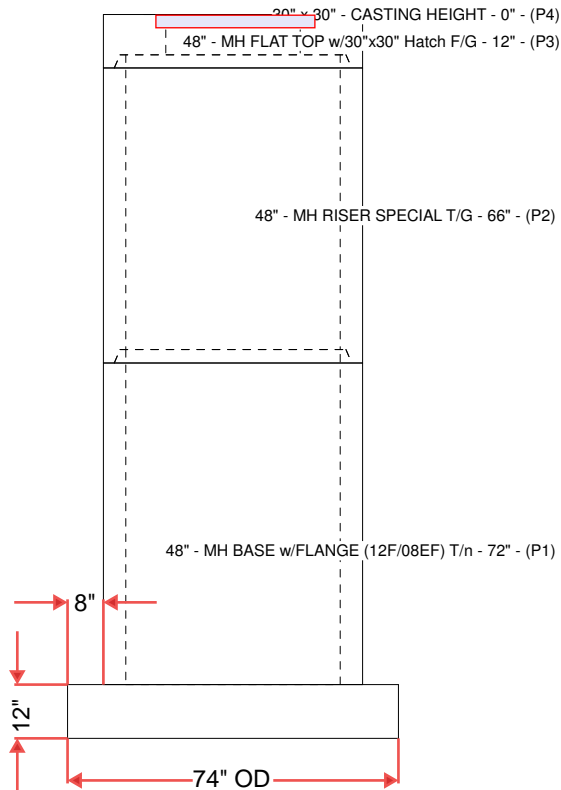
- PER ASTM C478 SPECIFICATIONS.
  - CONCRETE = 5,000 PSI AT 28 DAYS.
  - HATCH SUPPLIED BY OTHERS (USF 30"x30" AHS)
- REINFORCING PER ASTM A615 (GRADE 60).  
 - TOP SLAB = H2O LOADING.  
 - RISER/WALLS (As .12)  
 - FLOOR (As .31) #5 BARS AT 12" C.C.E.W.

**STRUCTURE SUMMARY:**

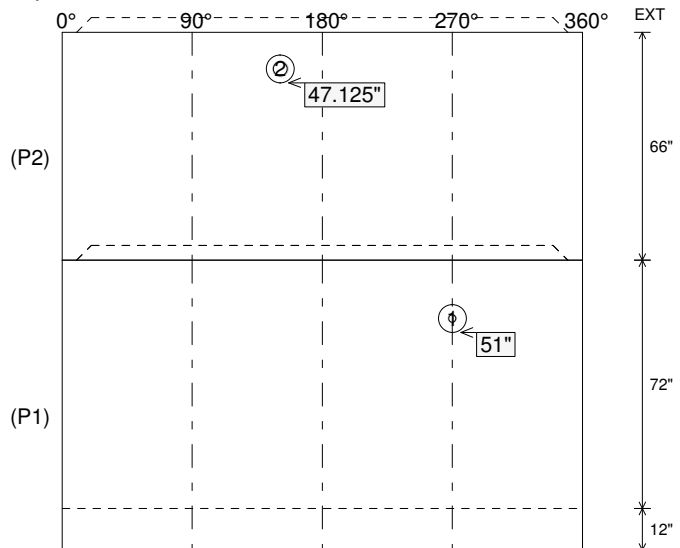
P4) 30" x 30" - CASTING HEIGHT - 0"	0 lb
P3) 48" - MH FLAT TOP w/30"x30" Hatch F/G - 12"	1350 lb
P2) 48" - MH RISER SPECIAL T/G - 66"	4589 lb
P1) 48" - MH BASE w/FLANGE (12F/08EF) T/n - 72"	9339 lb
1) JOINT WRAP - 12" WD x 048" MAC WRAP	0 lb
1) JOINT WRAP PRIMER - CONSEAL CS-75 (1 gal.)	0 lb
2) 48" - Conseal CS-231 1.00" (Double)	0 lb
1) PSX - 8QRS-S NYLO	6 lb
1) PSX - 8QRS DD	6 lb
	-----
<b>Structure Total:</b>	<b>15292 lb</b>



Position	Elev	Angle	Pipe	Pipe OD	Hole	Connector	Up (L)	Ref
Rim	412'							
Reducer								
Invert 1	404'	270°	2" PVC SDR17	2.375"	8"	PSX 8QRS-S NYLO	51"	P1
Invert 2	409.95'	151°	4" PVC SDR17	4.5"	8"	PSX 8QRS DD	47.125"	P2
Invert 3								
Invert 4								
Invert 5								
Invert 6								
Invert 7								
Invert 8								



**Cast (Int. Dim.) - Interior Dimensions**



**Submittal Drawing**  
 10/28/2025 6:24:17 PM

**SUBMITTAL APPROVED BY:**