

Job Name: 25-3266 GAF Sanitary Sewer Relocation
 Job Location: MT. Vernon, IN
 Contractor: Deig Bros Lumber & Construction Co, Inc.

Plant: 100

10/28/2025 6:25:06 PM

Tech: J. Horsley -F

PC: A. Chambers

Structure ID: WET WELL

P1 MH048BAEVF

MH BASE w/FLANGE (12F/08EF) T/n

- P4) 30" x 30" - CASTING HEIGHT - 0"
- P3) 48" - MH FLAT TOP w/30"x30" Hatch F/G - 12"
- P2) 48" - MH RISER SPECIAL T/G - 66"
- P1) 48" - MH BASE w/FLANGE (12F/08EF) T/n - 72"
- 1) JOINT WRAP - 12" WD x 048" MAC WRAP
- 1) JOINT WRAP PRIMER - CONSEAL CS-75 (1 gal.)
- 2) 48" - Conseal CS-231 1.00" (Double)
- 1) PSX - 8QRS-S NYLO
- 1) PSX - 8QRS DD

0 lb Structure Notes:
 1350 lb 1. PER ASTM C478 SPECIFICATIONS.
 4589 lb 2. CONCRETE = 5,000 PSI AT 28 DAYS.
 9339 lb 3. HATCH SUPPLIED BY OTHERS (USF 30"x30" AHS)
 0 lb
 0 lb REINFORCING PER ASTM A615 (GRADE 60).
 0 lb - TOP SLAB = H20 LOADING.
 6 lb - RISER/WALLS (As .12)
 6 lb - FLOOR (As .31) #5 BARS AT 12" C.C.E.W.

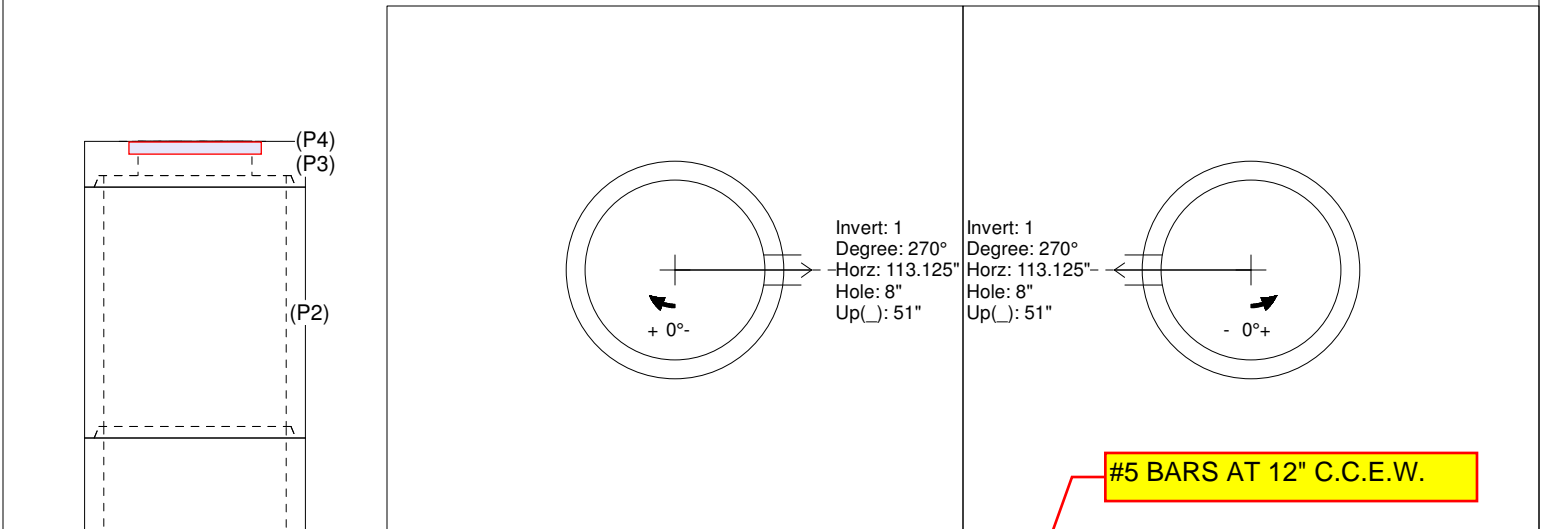
 Structure Total: 15292 lb

Rim: 412' Rim to Invert: 8' Slack: 0" Sump: 54" Step Position:

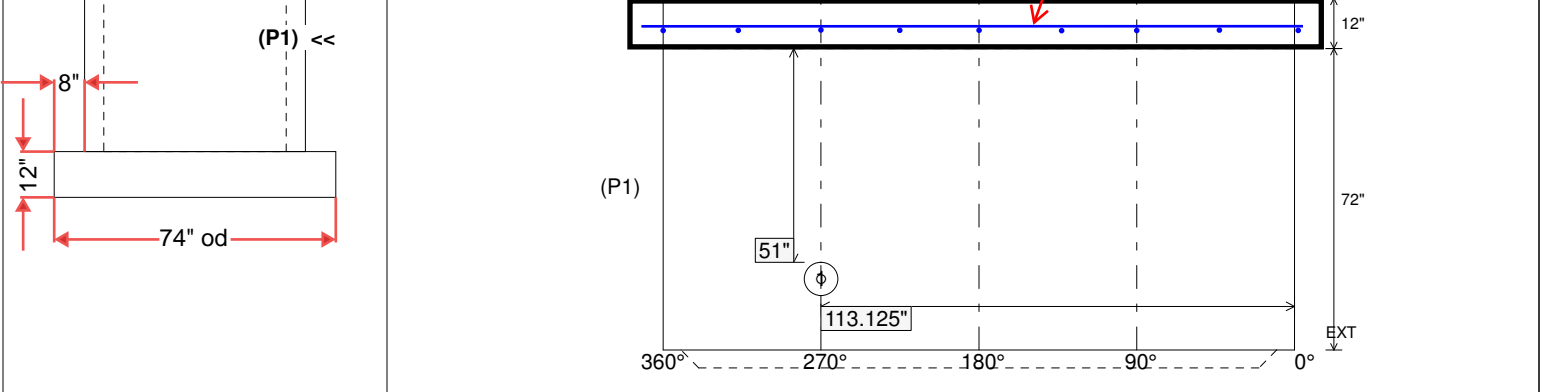
Position	Elev	Angle	Ext. (cw)	Pipe	Pipe OD	Connector	Hole	Horz Size	Up ()	Offset
Invert 1	404'	270°	136.625"	2" PVC SDR17	2.375"	PSX 8QRS-S NYLO	8"	8.038"	51"	0"
Invert 2										
Invert 3										
Invert 4										
Invert 5										
Invert 6										
Invert 7										
Invert 8										

RIGHT-SIDE UP VIEW (int. dimensions)

UPSIDE-DOWN VIEW (int. dimensions)



INSIDE WALL DIMENSIONS



Coating (Int): Coating (Ext):	Seam Up: Tongue Seam Dn: n/a	Wall Thickness: 5" Floor Height: 12"	Height (Int): 72" Height (Ext): 84"	Weight (Net): 9339 lb Volume (Net): 2.39cu.yd
----------------------------------	---------------------------------	-----------------------------------------	----------------------------------------	--------------------------------------------------