



Structure ID: CB-07

P1 BX4896-08BAVF

BOX BASE 8inW, 8inF, Variable Ht F/n

- P3) 28" x 34" - CASTING HEIGHT - 7" 0 lb
- P2) 48" x 96" - BX FLAT LID 8"W w/(2) 28"x34" HOLE F/F - 10" 4780 lb
- P1) 48" x 96" - BOX BASE 8inW, 8inF, Variable Ht F/n - 59" 16014 lb
- 1) SECONDARY POUR 0 lb
- 1) CASTING - JBS 3123-16 Mod. Double Set 250 lb
- 1) 48" x 96" - Conseal CS-102 1.00" 0 lb
- 1) 28" x 34" - Conseal CS-102 1.00" 0 lb
- 1) Hole - 46 0 lb
- 1) Hole - 26 0 lb

Structure Total: 21044 lb

- Structure Notes:**
1. PER TDOT STANDARD DRAWING D-CB-16S & ASTM C-913 SPECS
 2. CONCRETE: 4,000 PSI AT 28 DAYS
 3. REINFORCEMENT: PER TDOT & ASTM A615 SPECS
 4. NO STEPS
 5. NO INVERT CHANNEL
 6. CASTING BY ICAST (JBS 3123-16 MOD. DOUBLE SET)
 7. WET STICK 24" X 30" #5 L-BARS SPACED @ 12" C.C. E.W. (GRADE 60) OUT OF FLOOR FOR WALL POUR TIE-IN (SEE L-BAR DETAIL)

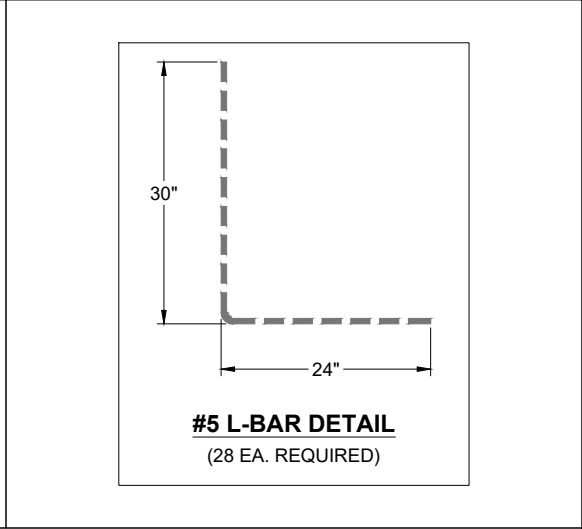
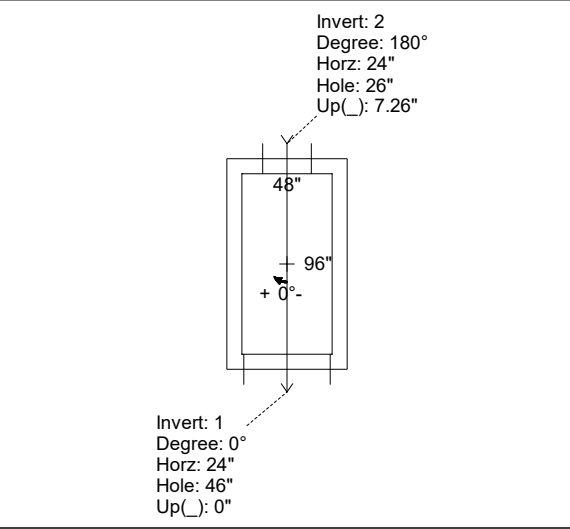
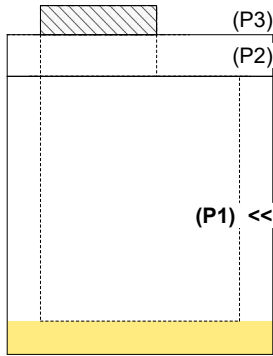
FIRST POUR (FLOOR): 4,812 LBS
SECOND POUR (WALLS): 11,202 LBS

Rim: 593.84' Rim to Invert: 6.03' Slack: 0.36" Sump: 4" Step Position:

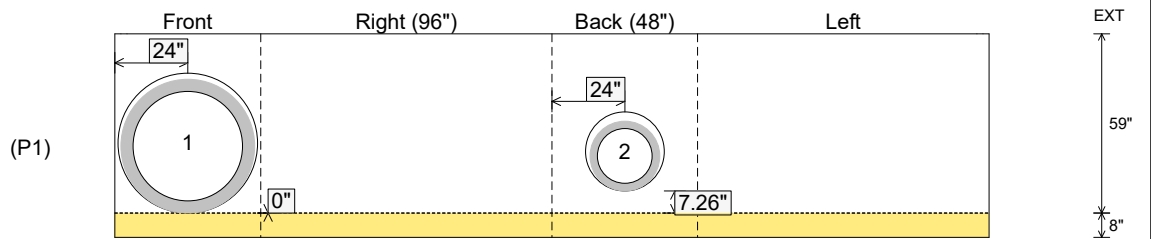
Position	Elev	Angle	Ext. (cw)	Pipe	Pipe OD	Connector	Hole	Horz Size	Up ()	Offset
Invert 1	587.81'	0°	32"	36" RCP B WALL	44"	Hole 46	46"	46"	0"	0"
Invert 2	588.29'	180°	32"	18" RCP B WALL	23"	Hole 26	26"	26"	7.26"	0"
Invert 3										
Invert 4										
Invert 5										
Invert 6										
Invert 7										
Invert 8										

RIGHT-SIDE UP VIEW (int. dimensions)


UPSIDE-DOWN VIEW (int. dimensions)



INSIDE WALL DIMENSIONS



Coating (Int): Coating (Ext):	Seam Up: Flat Seam Dn: n/a	Wall Thickness: 8" Floor Height: 8"	Height (Int): 59" Height (Ext): 67"	Weight (Net): 16014 lb Volume (Net): 4.09cu.yd
----------------------------------	-------------------------------	--	--	---

Job Name: 25-3264 - Sam Ridley Parkway Roadway Improvements	Plant: 100	Tech: J. Horsley - F	
Job Location: Smyrna, TN Contractor: Capital City Construction Services LLC	12/16/2025 8:34:52 AM	PC: A. Chambers	

Structure ID: CB-07

P1 BX4896-08BAVF

BOX BASE 8inW, 8inF, Variable Ht F/n

- P3) 28" x 34" - CASTING HEIGHT - 7" 0 lb
- P2) 48" x 96" - BX FLAT LID 8"W w/(2) 28"x34" HOLE F/F - 10" 4780 lb
- P1) 48" x 96" - BOX BASE 8inW, 8inF, Variable Ht F/n - 59" 16014 lb
- 1) SECONDARY POUR 0 lb
- 1) CASTING - JBS 3123-16 Mod. Double Set 250 lb
- 1) 48" x 96" - Conseal CS-102 1.00" 0 lb
- 1) 28" x 34" - Conseal CS-102 1.00" 0 lb
- 1) Hole - 46 0 lb
- 1) Hole - 26 0 lb

- Structure Notes:**
1. PER TDOT STANDARD DRAWING D-CB-16S & ASTM C-913 SPECS
 2. CONCRETE: 4,000 PSI AT 28 DAYS
 3. REINFORCEMENT: PER TDOT & ASTM A615 SPECS
 4. NO STEPS
 5. NO INVERT CHANNEL
 6. CASTING BY ICAST (JBS 3123-16 MOD. DOUBLE SET)
 7. LIFTERS: 4 EA. 5CA18 CONAC A-ANCHORS FOR PLANT & FIELD HANDLING - INSTALLED IN 90° & 180° WALLS, MIN. 16" FROM TOP OF WALLS

Structure Total: 21044 lb

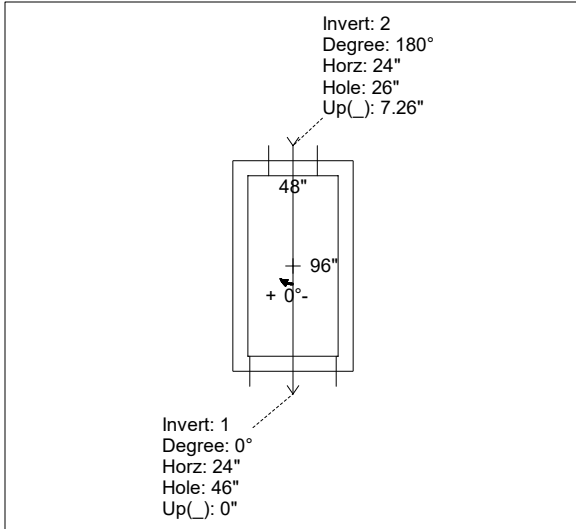
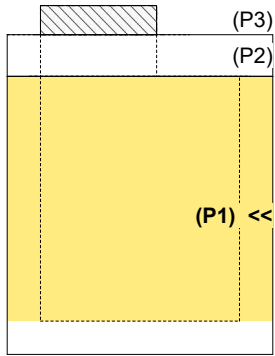
FIRST POUR (FLOOR): 4,812 LBS
SECOND POUR (WALLS): 11,202 LBS

Rim: 593.84' Rim to Invert: 6.03' Slack: 0.36" Sump: 4" Step Position:

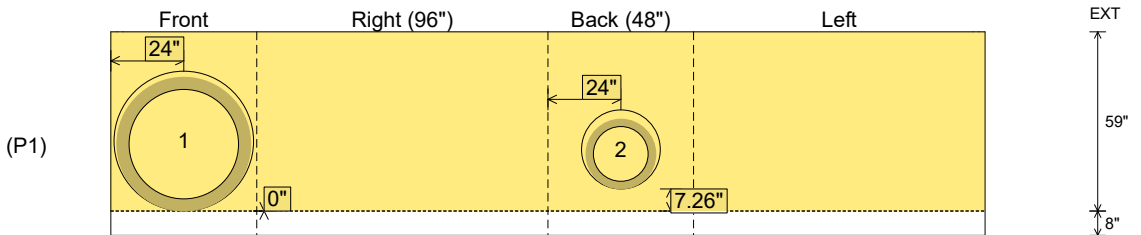
Position	Elev	Angle	Ext. (cw)	Pipe	Pipe OD	Connector	Hole	Horz Size	Up ()	Offset
Invert 1	587.81'	0°	32"	36" RCP B WALL	44"	Hole 46	46"	46"	0"	0"
Invert 2	588.29'	180°	32"	18" RCP B WALL	23"	Hole 26	26"	26"	7.26"	0"
Invert 3										
Invert 4										
Invert 5										
Invert 6										
Invert 7										
Invert 8										

RIGHT-SIDE UP VIEW (int. dimensions)

UPSIDE-DOWN VIEW (int. dimensions)



INSIDE WALL DIMENSIONS



Coating (Int): Coating (Ext):	Seam Up: Flat Seam Dn: n/a	Wall Thickness: 8" Floor Height: 8"	Height (Int): 59" Height (Ext): 67"	Weight (Net): 16014 lb Volume (Net): 4.09cu.yd
----------------------------------	-------------------------------	--	--	---