

Job Name: 25-3264 - Sam Ridley Parkway Roadway Improvements
 Job Location: Smyrna, TN
 Contractor: Capital City Construction Services LLC

Plant: 100
 12/16/2025 8:34:51 AM

Tech: J. Horsley - F
 PC: A. Chambers



Structure ID: CB-06

P1 BX108108-10W10F-BAVF

BOX BASE 10inW, 10inF, Variable Ht F/n

- P3) 28" x 34" - CASTING HEIGHT - 7"
- P2) 108" x 108" - BX FLAT TOP 10"W - TDOT NO 14SE (2- 28"x34" HOLES) F/F - 12"
- P1) 108" x 108" - BOX BASE 10inW, 10inF, Variable Ht F/n - 69"
- 1) SECONDARY POUR
- 1) CASTING - JBS 3123-14 Mod. Double Set
- 1) 108" x 108" - Conseal CS-102 1.00"
- 1) 28" x 34" - Conseal CS-102 1.00"
- 2) Hole - 46
- 1) Hole - 32

0 lb
 15167 lb
 36948 lb
 0 lb
 250 lb
 0 lb
 0 lb
 0 lb
 0 lb
 0 lb
 Structure Total: 52365 lb

- Structure Notes:**
1. PER TDOT STANDARD DRAWING D-CB-14SE & ASTM C-913 SPECS
 2. CONCRETE: 4,000 PSI AT 28 DAYS
 3. REINFORCEMENT: PER TDOT & ASTM A615 SPECS
 4. NO STEPS
 5. NO INVERT CHANNEL
 6. CASTING BY ICAST (JBS 3123-14 MOD. DOUBLE SET)
 7. WET STICK 36" X 36" #5 L-BARS SPACED @ 12" C.C. E.W. (GRADE 60) OUT OF FLOOR FOR WALL POUR TIE-IN (SEE L-BAR DETAIL)

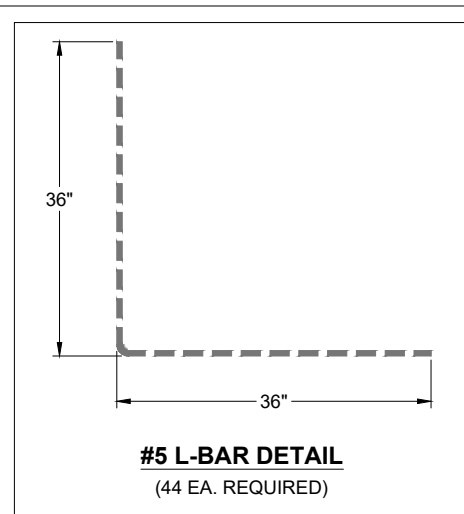
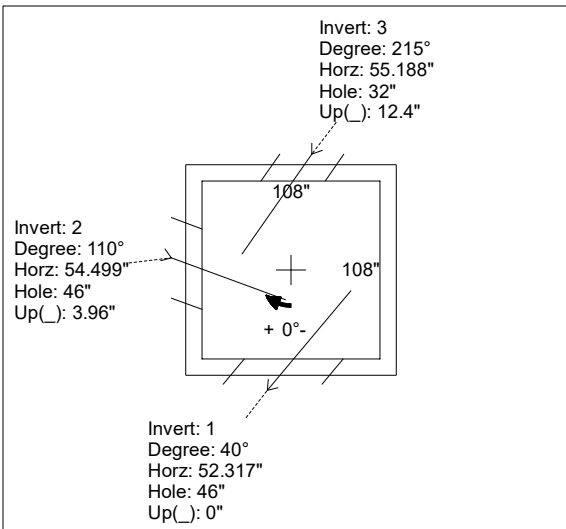
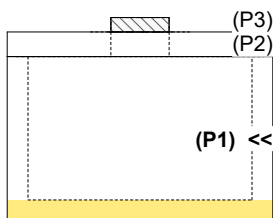
FIRST POUR (FLOOR): 13,748 LBS
SECOND POUR (WALLS): 23,200 LBS

Rim: 594.06' Rim to Invert: 7.01' Slack: 0.12" Sump: 4" Step Position:

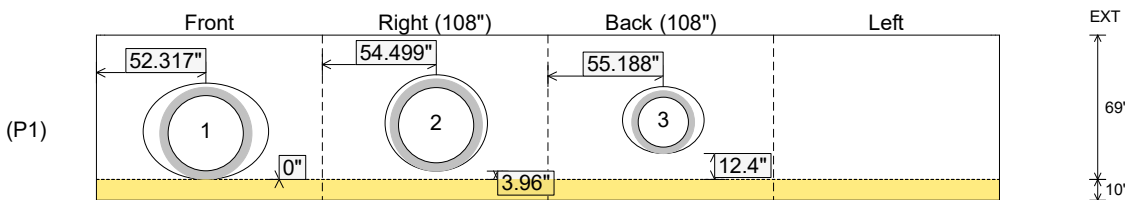
Position	Elev	Angle	Ext. (cw)	Pipe	Pipe OD	Connector	Hole	Horz Size	Up ()	Offset
Invert 1	587.05'	40°	70.708"	36" RCP B WALL	44"	Hole 46	46"	60.049"	0"	-36"
Invert 2	587.38'	110°	68.139"	36" RCP B WALL	44"	Hole 46	46"	48.952"	3.96"	-18"
Invert 3	588'	215°	72.19"	24" RCP B WALL	30"	Hole 32	32"	39.065"	12.4"	-30"
Invert 4										
Invert 5										
Invert 6										
Invert 7										
Invert 8										

RIGHT-SIDE UP VIEW (int. dimensions)

UPSIDE-DOWN VIEW (int. dimensions)



INSIDE WALL DIMENSIONS




Coating (Int):
 Coating (Ext):

Seam Up: Flat
 Seam Dn: n/a

Wall Thickness: 10"
 Floor Height: 10"

Height (Int): 69"
 Height (Ext): 79"

Weight (Net): 36948 lb
 Volume (Net): 9.44cu.yd

Job Name: 25-3264 - Sam Ridley Parkway Roadway Improvements	Plant: 100	Tech: J. Horsley - F	
Job Location: Smyrna, TN Contractor: Capital City Construction Services LLC	12/16/2025 8:34:51 AM	PC: A. Chambers	

Structure ID: CB-06

P1 BX108108-10W10F-BAVF BOX BASE 10inW, 10inF, Variable Ht F/n

P3) 28" x 34" - CASTING HEIGHT - 7"	0 lb
P2) 108" x 108" - BX FLAT TOP 10"W - TDOT NO 14SE (2- 28"x34" HOLES) F/F - 12"	15167 lb
P1) 108" x 108" - BOX BASE 10inW, 10inF, Variable Ht F/n - 69"	36948 lb
1) SECONDARY POUR	0 lb
1) CASTING - JBS 3123-14 Mod. Double Set	250 lb
1) 108" x 108" - Conseal CS-102 1.00"	0 lb
1) 28" x 34" - Conseal CS-102 1.00"	0 lb
2) Hole - 46	0 lb
1) Hole - 32	0 lb
Structure Total:	52365 lb

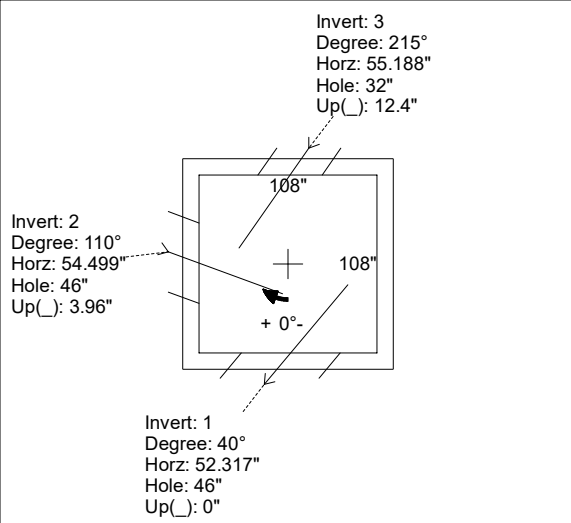
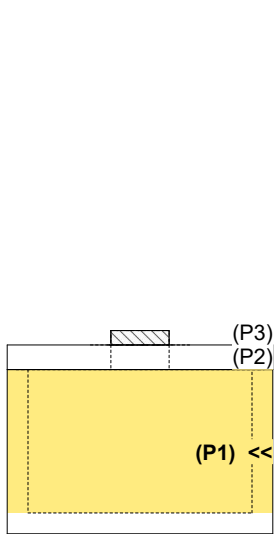
- Structure Notes:**
- PER TDOT STANDARD DRAWING D-CB-14SE & ASTM C-913 SPECS
 - CONCRETE: 4,000 PSI AT 28 DAYS
 - REINFORCEMENT: PER TDOT & ASTM A615 SPECS
 - NO STEPS
 - NO INVERT CHANNEL
 - CASTING BY ICAST (JBS 3123-14 MOD. DOUBLE SET)
 - LIFTERS: 4 EA. 8CA18 CONAC A-ANCHORS FOR PLANT & FIELD HANDLING - INSTALLED IN 90° & 180° WALLS, MIN. 20" FROM TOP OF WALLS

FIRST POUR (FLOOR): 13,748 LBS
SECOND POUR (WALLS): 23,200 LBS

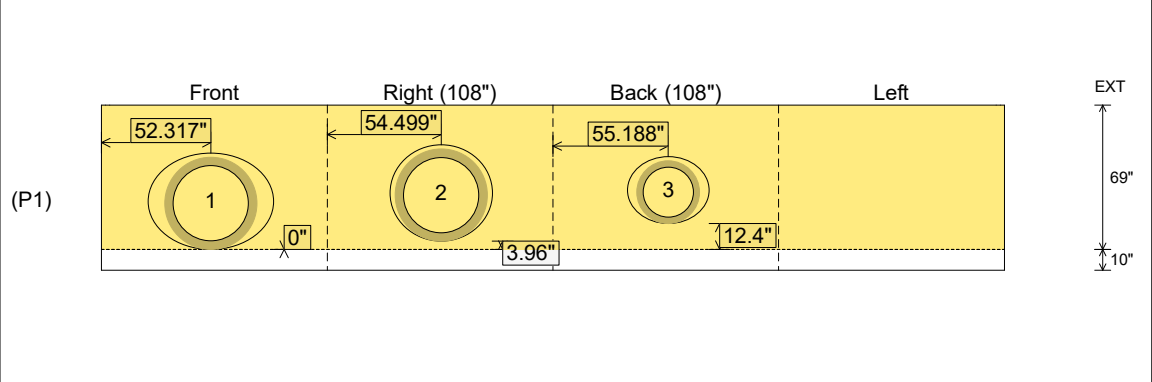
Rim: 594.06' Rim to Invert: 7.01' Slack: 0.12" Sump: 4" Step Position:

Position	Elev	Angle	Ext. (cw)	Pipe	Pipe OD	Connector	Hole	Horz Size	Up ()	Offset
Invert 1	587.05'	40°	70.708"	36" RCP B WALL	44"	Hole 46	46"	60.049"	0"	-36"
Invert 2	587.38'	110°	68.139"	36" RCP B WALL	44"	Hole 46	46"	48.952"	3.96"	-18"
Invert 3	588'	215°	72.19"	24" RCP B WALL	30"	Hole 32	32"	39.065"	12.4"	-30"
Invert 4										
Invert 5										
Invert 6										
Invert 7										
Invert 8										

RIGHT-SIDE UP VIEW (int. dimensions) UPSIDE-DOWN VIEW (int. dimensions)



INSIDE WALL DIMENSIONS



Coating (Int): Coating (Ext):	Seam Up: Flat Seam Dn: n/a	Wall Thickness: 10" Floor Height: 10"	Height (Int): 69" Height (Ext): 79"	Weight (Net): 36948 lb Volume (Net): 9.44cu.yd
----------------------------------	-------------------------------	--	--	---