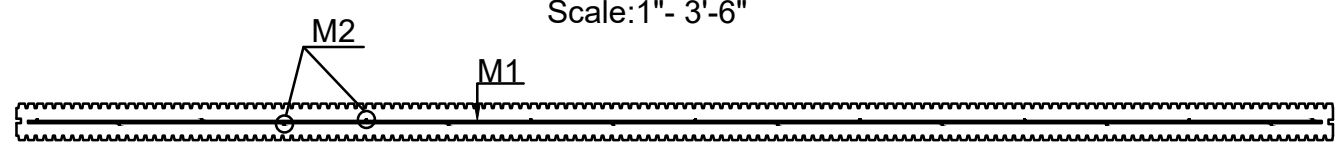


PLAN
Scale: 1" = 3'-6"



PLAN
REINFORCEMENT
Scale: 1" = 3'-6"

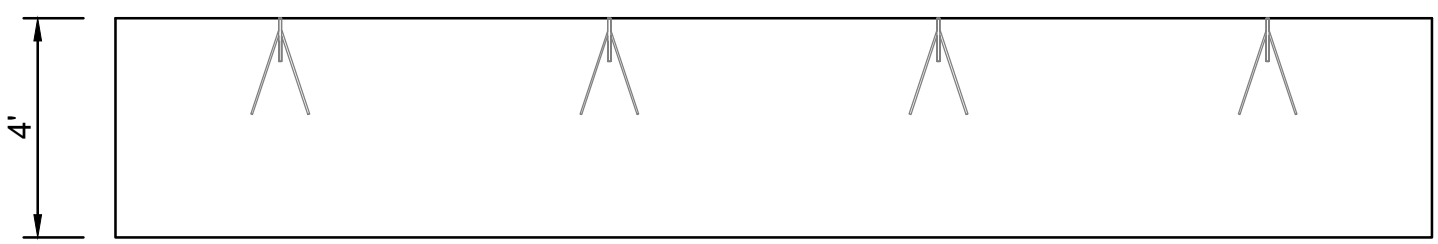
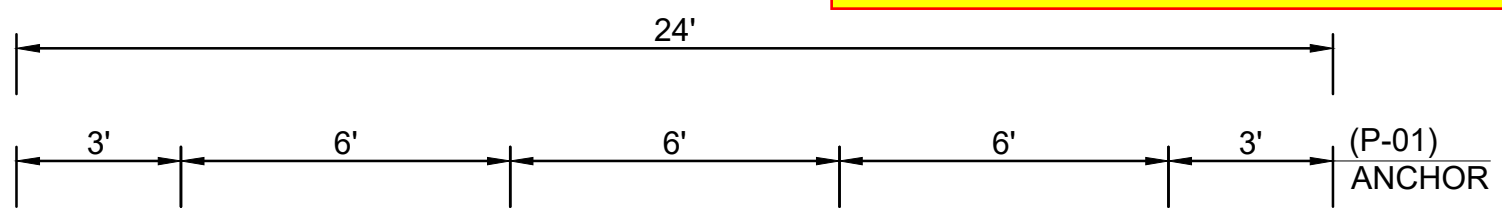
Job Name: 25-3233 - TDOT Davidson Co. CNZ209
Job Location: Nashville, TN
Contractor: Mid-State Construction Co. Inc.

APPROVED AS NOTED
11-13-25

Del A. Krueger
ENGR. DIRECTOR, STRUCTURES

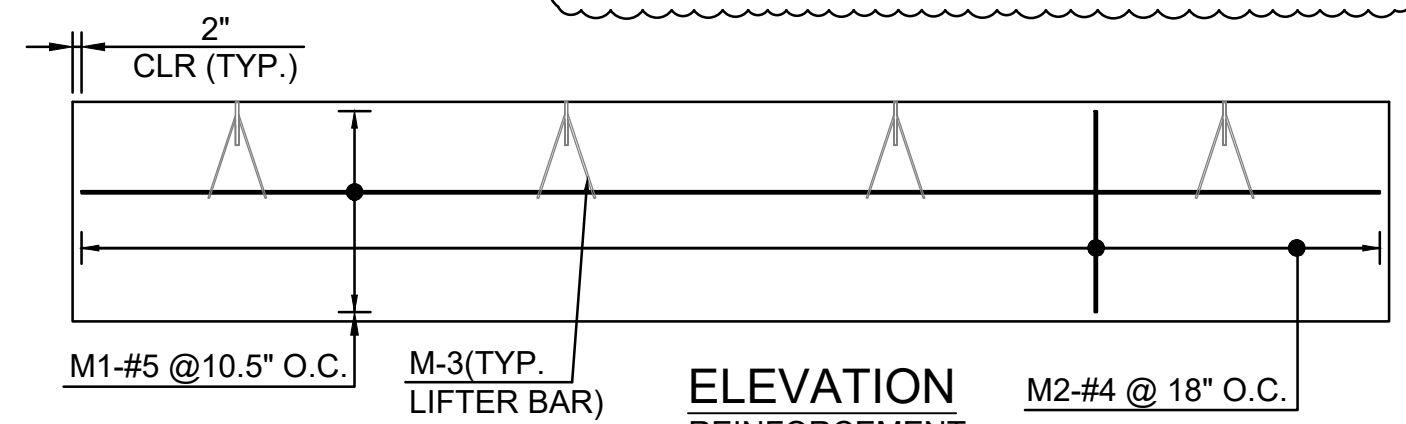
VERIFY NOTES

- CONCRETE PANEL WALL:
NOTES:
1. CONCRETE CLASS A(AE) F'c=4500 psi. SEE SECT.604.03
 2. REINF ASTM A615, GRADE 60
 3. STR STEEL ASTM A 36, GALV.
 4. THR ROADS ASTM A307, GALV.
 5. S=POST SPACING, FT.
MAX 25'-6"
 6. H=WALL HEIGHT, FT
 7. D= PILE DIAM, FT
L= PILE LENGTH, FT
 8. SEE SCHEDULE FOR PARTICULAR WALL FOR S, H, L, & D.
 9. PROVIDE 3/8" GROUT PER TDOT SPEC.918.21 AT HORIZONTAL JOINTS BETWEEN PANELS PI. COLOR GROUT TO MATCH WALL PANELS.
 10. PLUM B POSTS TO 4' IN 12"
PLUM B WALLS TO 4' IN 12"
 11. CJ= CONTROL JOINT PROVIDE (DETAIL AND SUPPLIERS) PREFORMED RUBBER JOINT (DETAIL AND SUPPLIERS) FILLER PER ASTM D 1152



ELEVATION
Scale: 1" = 3'-6"

Structure ID: W01-D - NOISE WALL PANEL
P1 Custom Wall WALL PANEL 8" THK - 24.00' LG x 4.00' HT

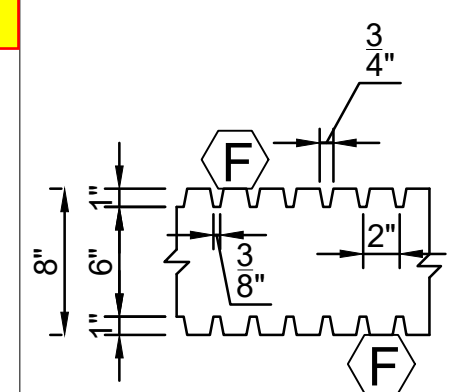


ELEVATION
REINFORCEMENT
Scale: 1" = 3'-6"

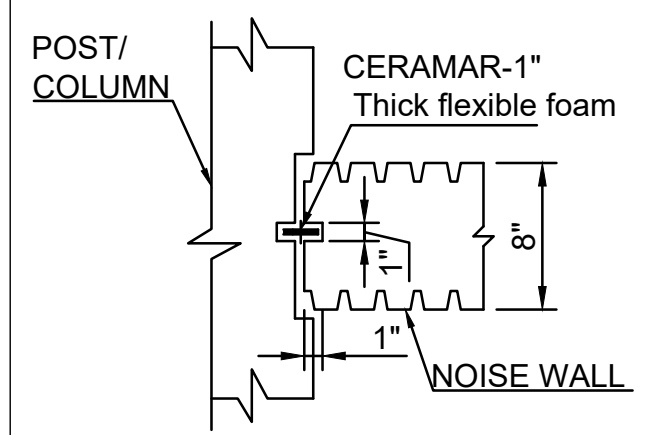
PANEL REINFORCEMENT				
MARKER	SIZE	AMMOUNT	TYPE	LENGHT
M1	#5	05	STRAIGHT	23'-8"
M2	#4	17	STRAIGHT	3'-8"
M3	#6	04	V-BAR	3'-5"
		TYPE	LENGHT	WEIGHT
		#4	62'	42#
		#5	118'	123#
		#6	14'	21#

FINISH LEGEND		
MARK	DESCRIPTION	QTY. EACH
F	FORM LINEAR FINISH AND COLOR TO MATCH ADJACENT EXISTING WALL PANELS	
P-01	2T-TECH ERECTION ANCHOR(QL527G)	4

COLOR MATCH TO BE DONE IN FIELD BY OTHERS



DETAIL-1
FORM LINEAR DETAILS
Scale: 1" = 10 1/2"



DETAIL-2
RUBBER EXPANSION JOINT FILLER
Scale: 1" = 10 1/2"

REV:	DESCRIPTION:	DATE:	DRAWN BY:	CHK BY:
R1	FOR APPROVAL	08/26/25	SCM	SSH
R2	FOR APPROVAL	11/10/25	RBG	SSH

JOB NO:	DWG NO:	DATE:	REV:	VOLUME (CYD)	WEIGHT (LBS)	SCALE:
-	W01	11.10.25	R2	2.37	9600	-
PRODUCT:	JOB NAME:		SHEET			
NOISE WALL PANEL	NOISE WALL REPLACEMENT I-440 EB		1 OF 1			

