



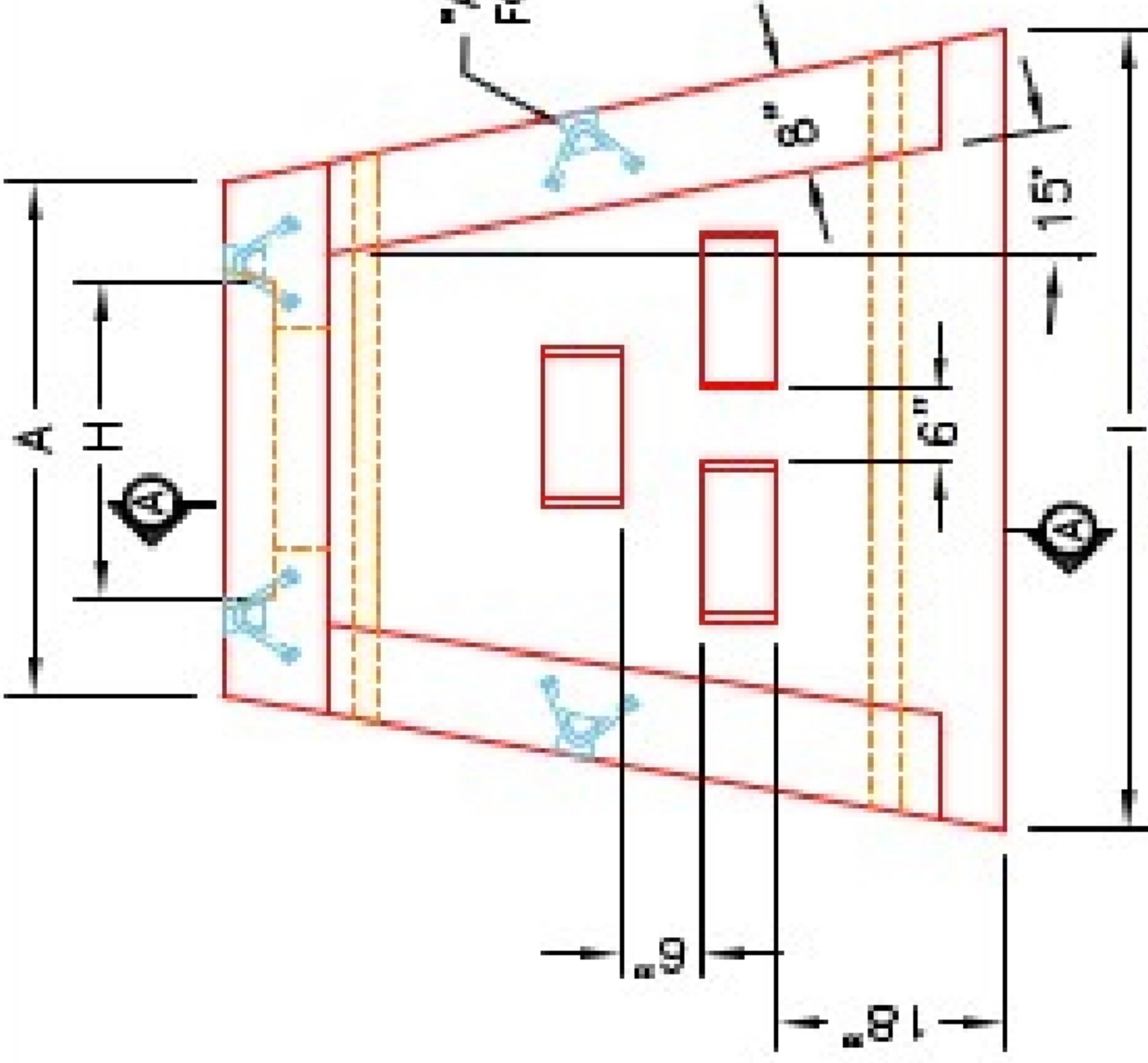
Structure ID: ICAST LI2 1

P1 HWSF18D

18" - SLOPED & FLARED HEADWALL W/DISS F/F

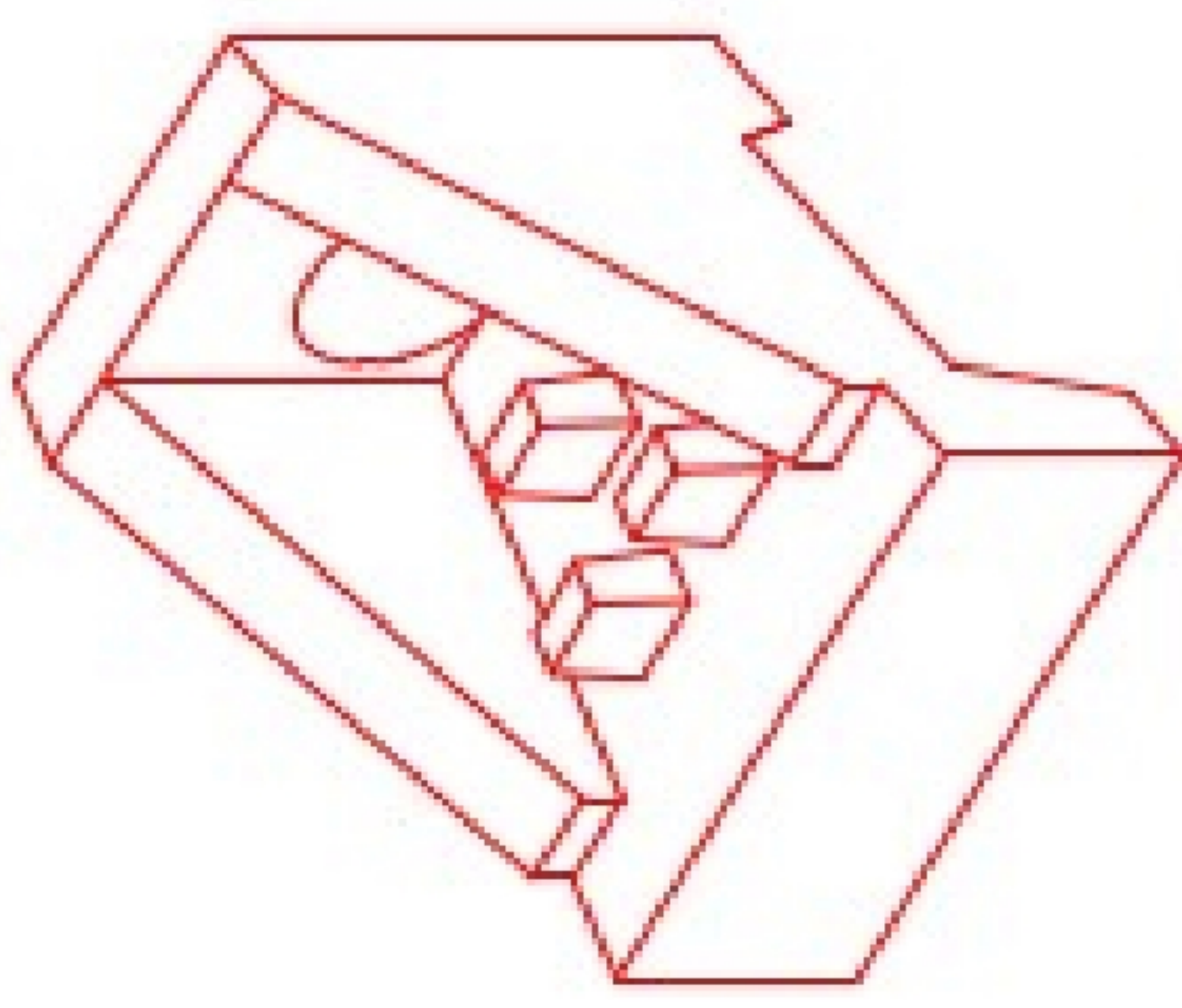
DIMENSIONS											
PIPE Ø	A	B	C	D	E	F	G	H	I	WEIGHT	DISSIPATORS
18"	3'-6"	4'-4"	2'-10"	1'-6"	5'-0"	4"	3'	2'-2"	6'-0"	5,127 LBS.	3 EA.

"A-ANCHOR" LIFTING SYSTEM FOR PLANT & FIELD HANDLING.

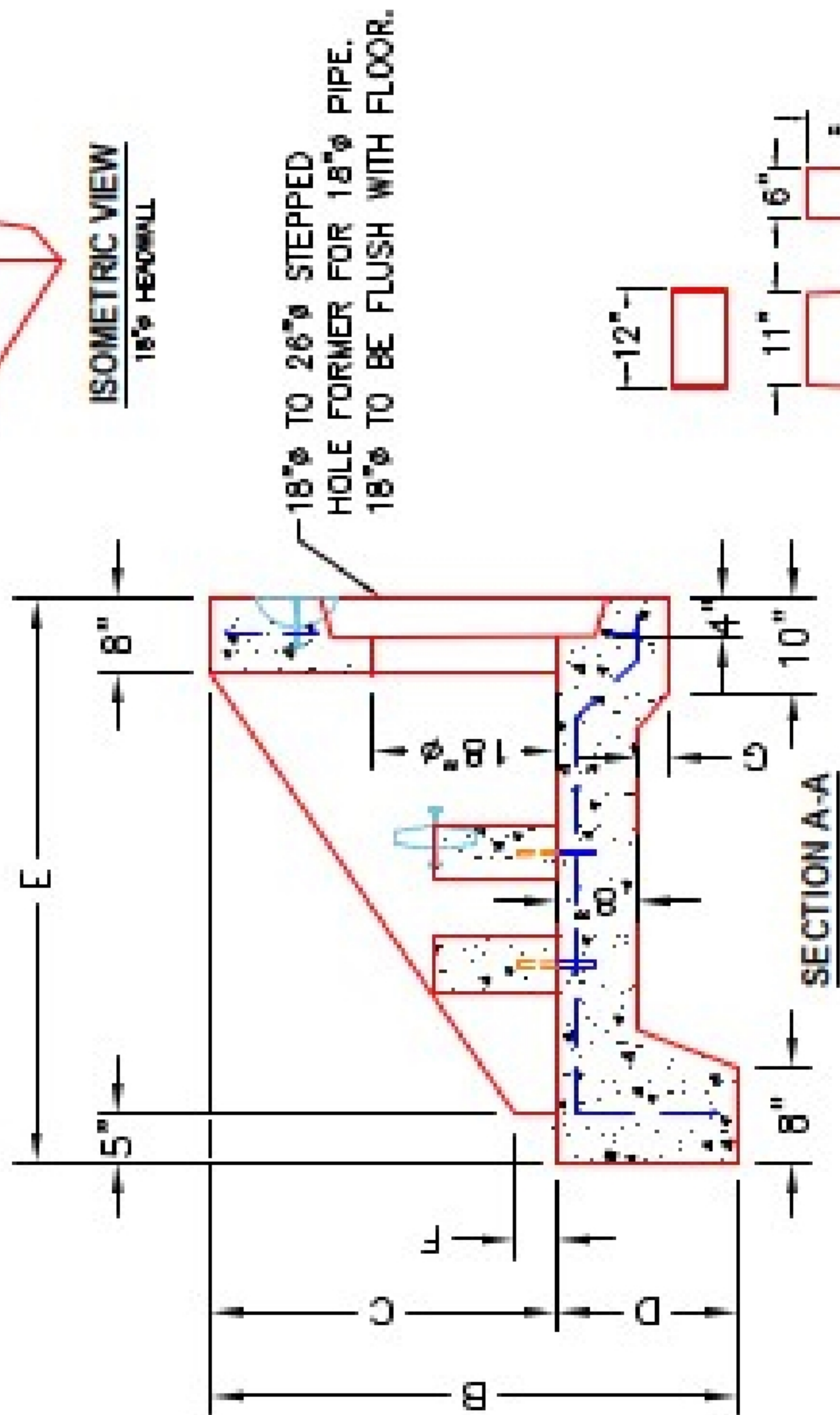


PLAN VIEW

12"x12"x6" ENERGY DISSIPATOR BLOCKS (3 EA.).



ISOMETRIC VIEW 18" HEADWALL



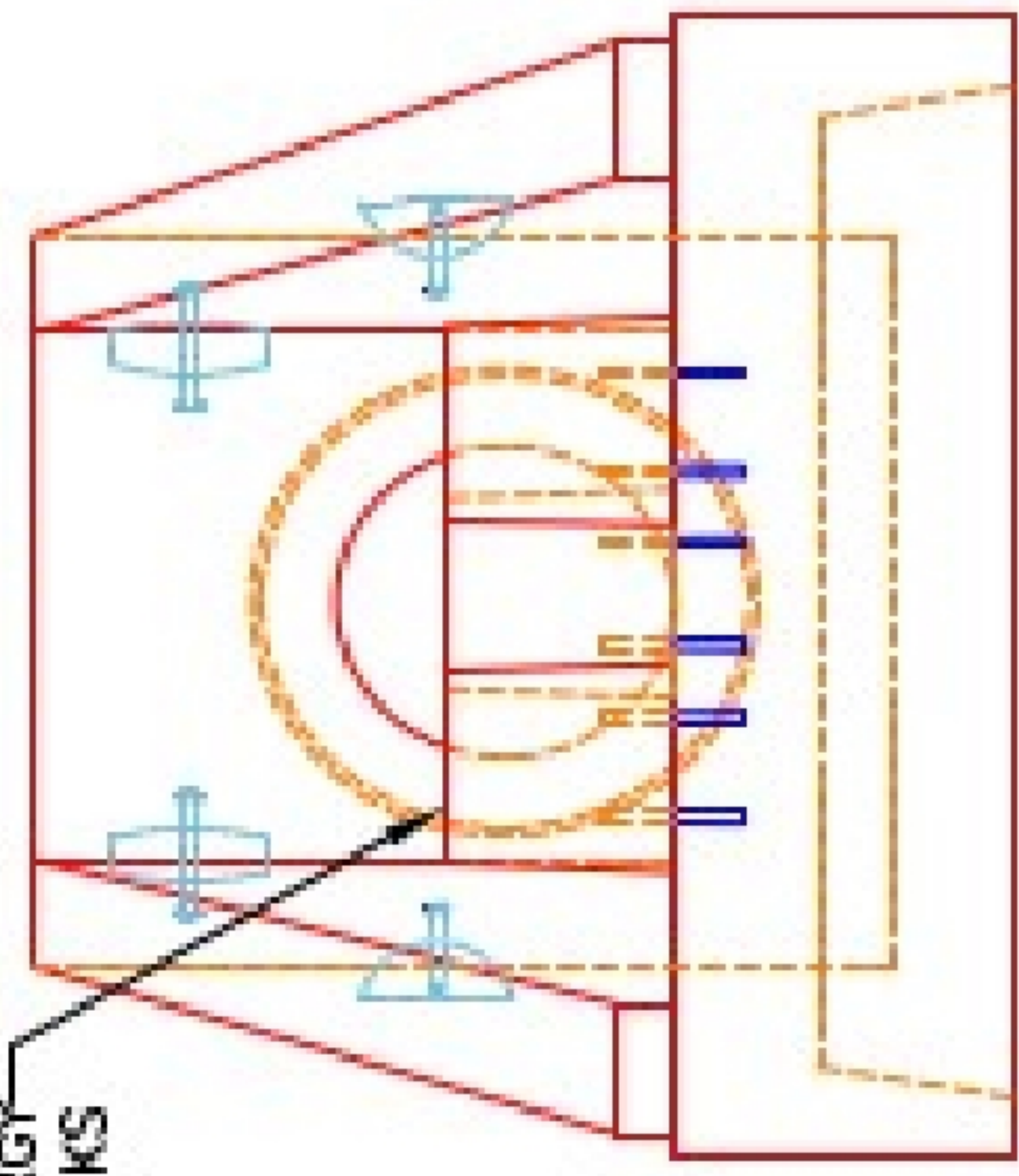
SECTION A-A

18"Ø TO 26"Ø STEPPED HOLE FORMER FOR 18"Ø PIPE. 18"Ø TO BE FLUSH WITH FLOOR.

2-#5 BAR STUBS FOR POST MOUNTING TO HEADWALL FLOOR.

DISSIPATOR BLOCK DETAIL

FRONT ELEVATION



- NOTES:**
1. CONCRETE: 4500 PSI @ 28 DAYS.
 2. REINFORCING: #4 BAR @ 12" C/C E.W. - GRADE 60. (WITH 2" CONCRETE COVER MINIMUM)
 3. REINFORCING BARS TO BE TACK WELDED OR TIED.
 4. DRAWINGS TO BE USED IN CONJUNCTION WITH KYTC STD. DRAWING RDH-020-03 AND THE STANDARD SPECIFICATIONS FOR ROAD AND BRIDGE CONSTRUCTION.
 5. # CHAMFER ON ALL EXPOSED EDGES.

PRODUCTION WORK ORDER		PRODUCT I.D.: HWSF18D	DESCRIPTION: KYTC 18"Ø SLOPED & FLARED HEADWALL W/DISSIPATORS
QUALITY CONTROL CHECKLIST		PRODUCT VIEW: RIGHT SIDE UP	CUSTOMER: STOCK
<input type="checkbox"/> ALL DIMENSIONS CORRECT.		PLANT: BEAVER DAM, KY.	PROJECT: STOCK INVENTORY
<input type="checkbox"/> LIFTERS INSTALLED.		WEIGHT: 5,127 LBS.	STRUCTURE ID: N/A
<input type="checkbox"/> STEPPED HF CORRECT SIZE.		TOP SECTION JOINT: N/A	QUOTE/SALES ORDER NO: N/A
<input type="checkbox"/> REINFORCING CORRECT.		BASE SECTION JOINT: N/A	CHECK: J.H. ROSS, PE DRAWING: N. RICHARDS
<input type="checkbox"/> DISSIPATOR BLOCK INSTALLED, EDGES CHAMFERED.		QC CHECK INITIALS:	DATE: 09/09/22 SCALE: NTS PG. 1 OF 1
<input type="checkbox"/> ALL PATCHWORK ACCEPTABLE.			

