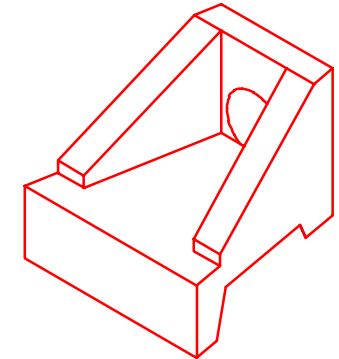
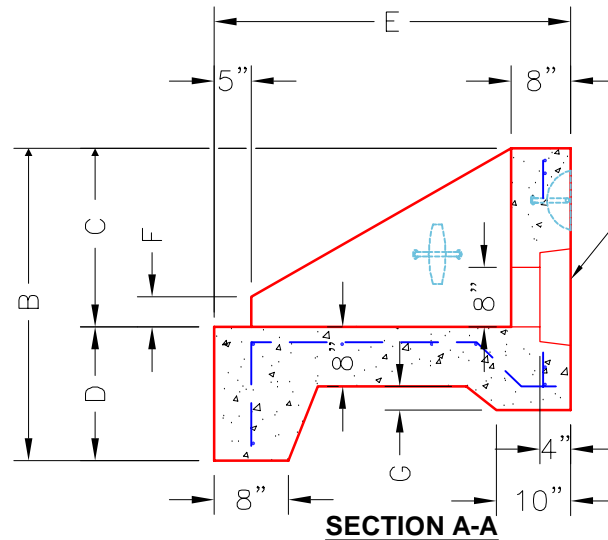


"A-ANCHOR" LIFTING SYSTEM FOR PLANT & FIELD HANDLING.

DIMENSIONS										WEIGHT
PIPE Ø	A	B	C	D	E	F	G	H	I	
8"	2'-9"	3'-6"	2'-0"	1'-6"	4'-0"	3"	2 $\frac{3}{8}$ "	1'-4"	4'-9"	3,161 LBS.




12"Ø HEADWALL



12" DIA. HOLE STEPPED DOWN TO 8" DIA. FOR 8" PVC

~NOTES:

1. CONCRETE: 4500 PSI @ 28 DAYS.
2. REINFORCING: #4 BAR @ 12" C/C E.W.-GRADE 60, (WITH 2" CONCRETE COVER MINIMUM)
3. REINFORCING BARS TO BE TACK WELDED OR TIED.
4. DRAWING TO BE USED IN CONJUNCTION WITH KYTC STD. DRAWING RDH-020-03 AND THE STANDARD SPECIFICATIONS FOR ROAD AND BRIDGE CONSTRUCTION.
5.  $\frac{3}{4}$ " CHAMFER ON ALL EXPOSED EDGES.

		<b>PRODUCTION WORK ORDER</b> QUALITY CONTROL CHECKLIST <input type="checkbox"/> ALL DIMENSIONS CORRECT. <input type="checkbox"/> LIFTERS INSTALLED. <input type="checkbox"/> STEPPED HF CORRECT SIZE. <input type="checkbox"/> REINFORCING CORRECT. <input type="checkbox"/> DISSIPATOR BLOCK INSTALLED. <input type="checkbox"/> EDGES CHAMFERED. <input type="checkbox"/> ALL PATCHWORK ACCEPTABLE.	PRODUCT I.D.: HWSF8 PRODUCT VIEW: RIGHT SIDE UP PLANT: BEAVER DAM, KY. WEIGHT: 3,161 LBS. TOP SECTION JOINT: N/A BASE SECTION JOINT: N/A QC CHECK INITIALS:	DESCRIPTION: KYTC 8" SLOPED & FLARED HEADWALL CUSTOMER: LAGCO PROJECT: LCHS SPORTS FIELD STRUCTURE ID.: HW 1 JOB NUMBER: 25-3215 PC: C. GOFF DATE: 10/20/25	DRAWING: C. RUSS SCALE: NTS PG. 1 of 1
---	--	---	---	---	--