

Job Name: 25-3215 Lincoln Co HS Sports Field
 Job Location: Stanford, KY 40484
 Contractor: Lagco Inc.

Plant: Beaver Dam, KY
 10/21/2025 11:27:03 AM

Tech: C. Russ
 PC: C. Goff



Structure ID: C2

P1 BX18180606VF

BOX BASE 6inW, 6inF, Variable Ht F/n

- P2) 18" x 18" - CASTING HEIGHT - 4"
- P1) 18" x 18" - BOX BASE 6inW, 6inF, Variable Ht F/n - 23"
- 1) 18" x 18" - SGL 1"x14.5' Butyl
- 2) Hole - 16
- 1) Hole - 12

0 lb
 1289 lb
 0 lb
 0 lb
 0 lb

 Structure Total: 1289 lb

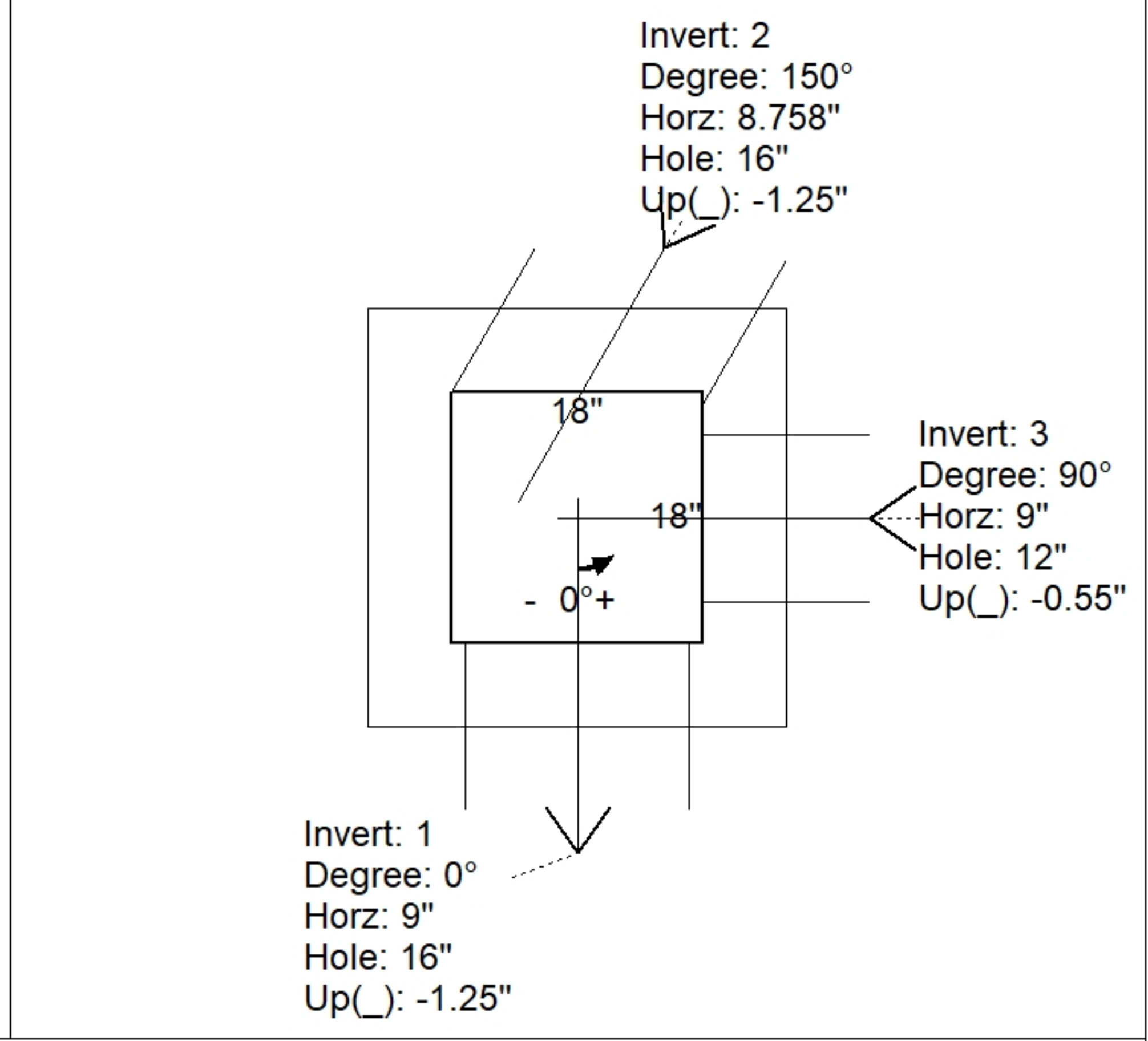
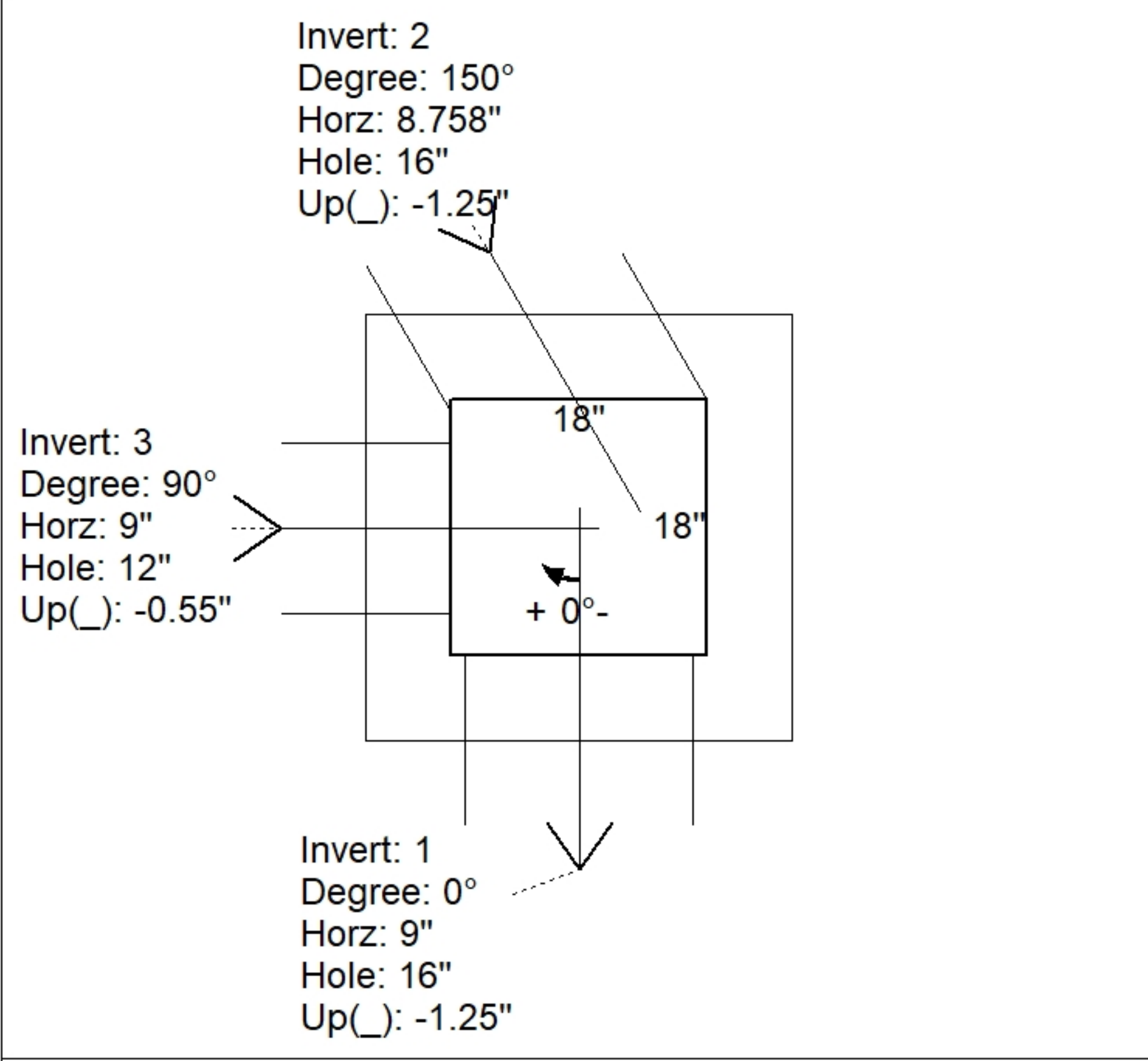
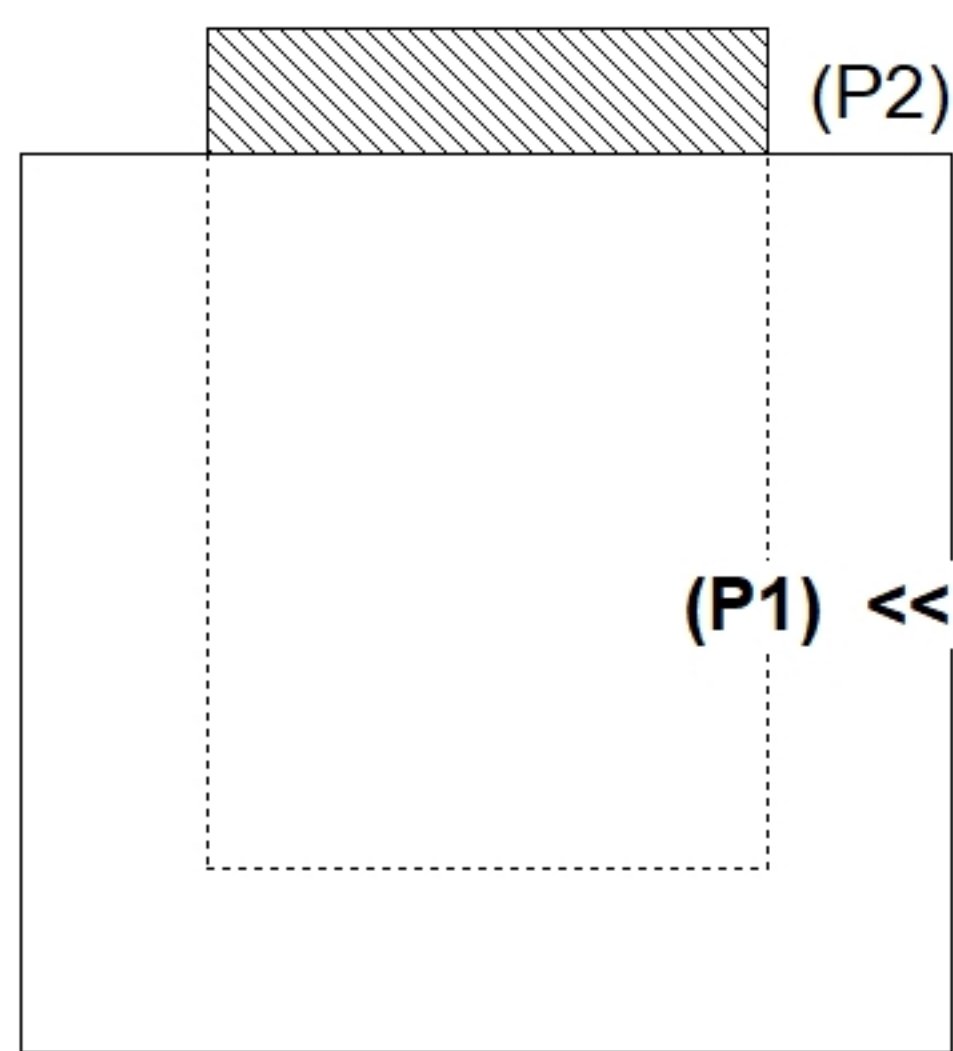
- Structure Notes:**
1. PER ASTM C913 SPECIFICATIONS.
 2. CONCRETE = 4,000 PSI AT 28 DAYS.
 3. NO INVERT CHANNEL.
 4. HOE 165-A F/G BY ICAST
 4. REINFORCING PER ASTM A615 (GRADE 60).
 - WALLS (As .12) #5 BARS AT 12" C.C.E.W.
 - FLOOR (As .12) #5 BARS AT 12" C.C.E.W.

Rim: 902.75' Rim to Invert: 2.25' Slack: 0" Sump: 0" Step Position:

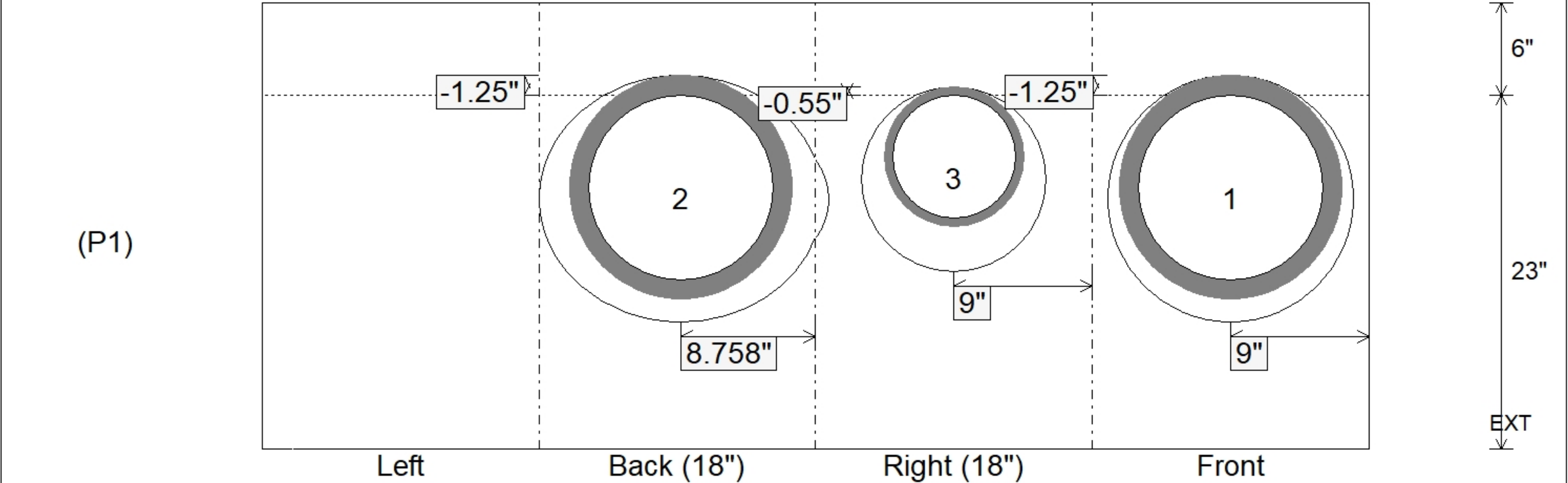
Position	Elev	Angle	Ext. (cw)	Pipe	Pipe OD	Connector	Hole	Horz Size	Up ()	Offset
Invert 1	900.5'	0°	15"	12" HDPE	14.5"	Hole 16	16"	16"	-1.25"	0"
Invert 2	900.5'	150°	11.294"	12" HDPE	14.5"	Hole 16	16"	17.995", 0.831"	-1.25"	4.29"
Invert 3	900.5'	90°	15"	8" HDPE	9.1"	Hole 12	12"	12"	-0.55"	0"
Invert 4										
Invert 5										
Invert 6										
Invert 7										
Invert 8										

RIGHT-SIDE UP VIEW (int. dimensions)

UPSIDE-DOWN VIEW (int. dimensions)



INSIDE WALL DIMENSIONS



Coating (Int): Coating (Ext):	Seam Up: Flat Seam Dn: n/a	Wall Thickness: 6" Floor Height: 6"	Height (Int): 23" Height (Ext): 29"	Weight (Net): 1289 lb Volume (Net): 0.33cu.yd
----------------------------------	-------------------------------	--	--	--