

Job Name: 25-3215 Lincoln Co HS Sports Field
Job Location: Standford, KY 40484
Contractor: Lagco Inc.

PC: C. Goff
 TECH: C. Russ
 Plant: Beaver Dam, KY



Structure ID: A1
 Spec: Storm
 Type: BX 6inW, 6inF
 Size: 24" x 24"

Rim: 909'
 Invert: 903'
 Rim to Invert: 6'

Sump: 0"
 Floor (Top): 903'
 Floor Height: 6"

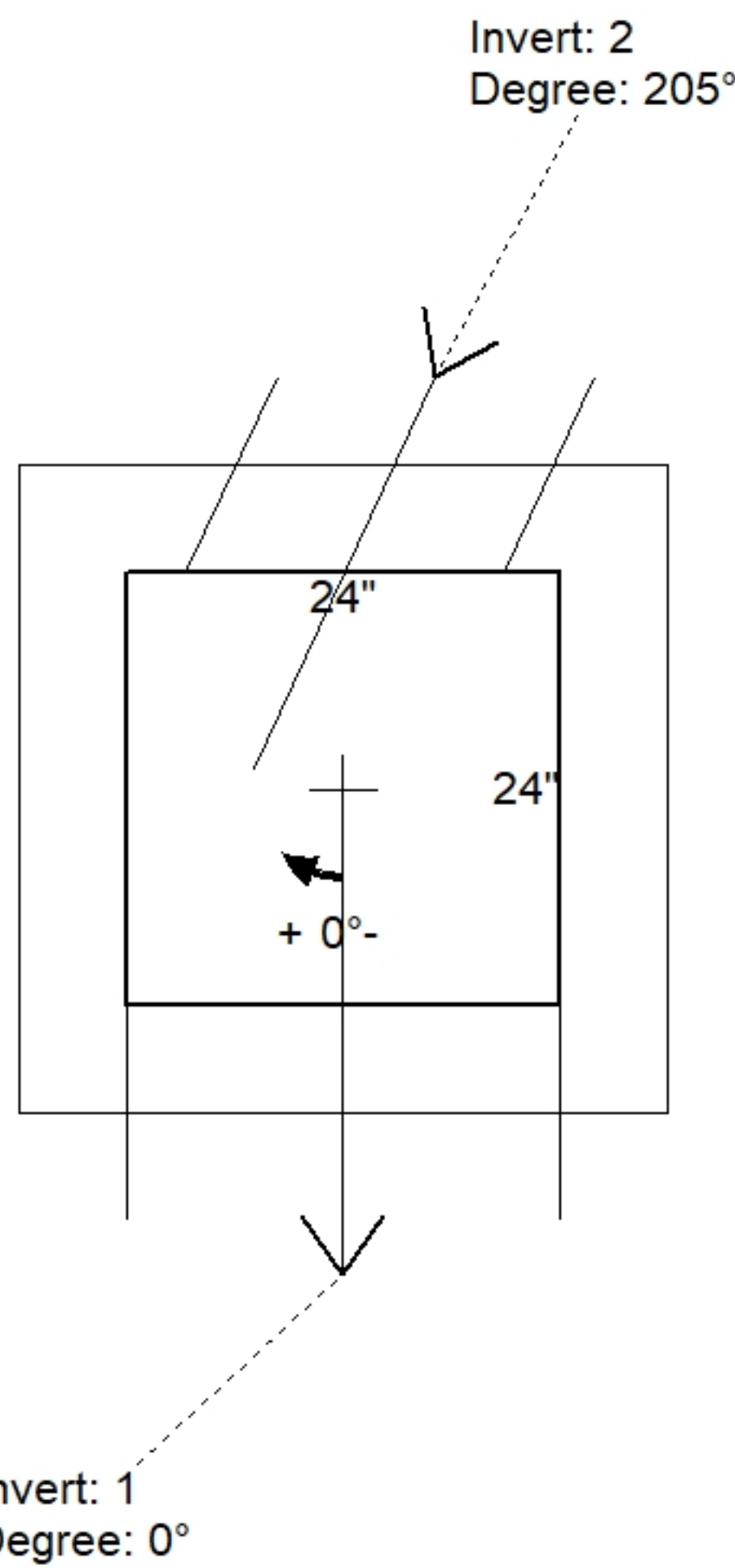
Floor (Bot): 902.5'
 Overall Height: 6.333'
 Slack: 2"

Structure Notes:

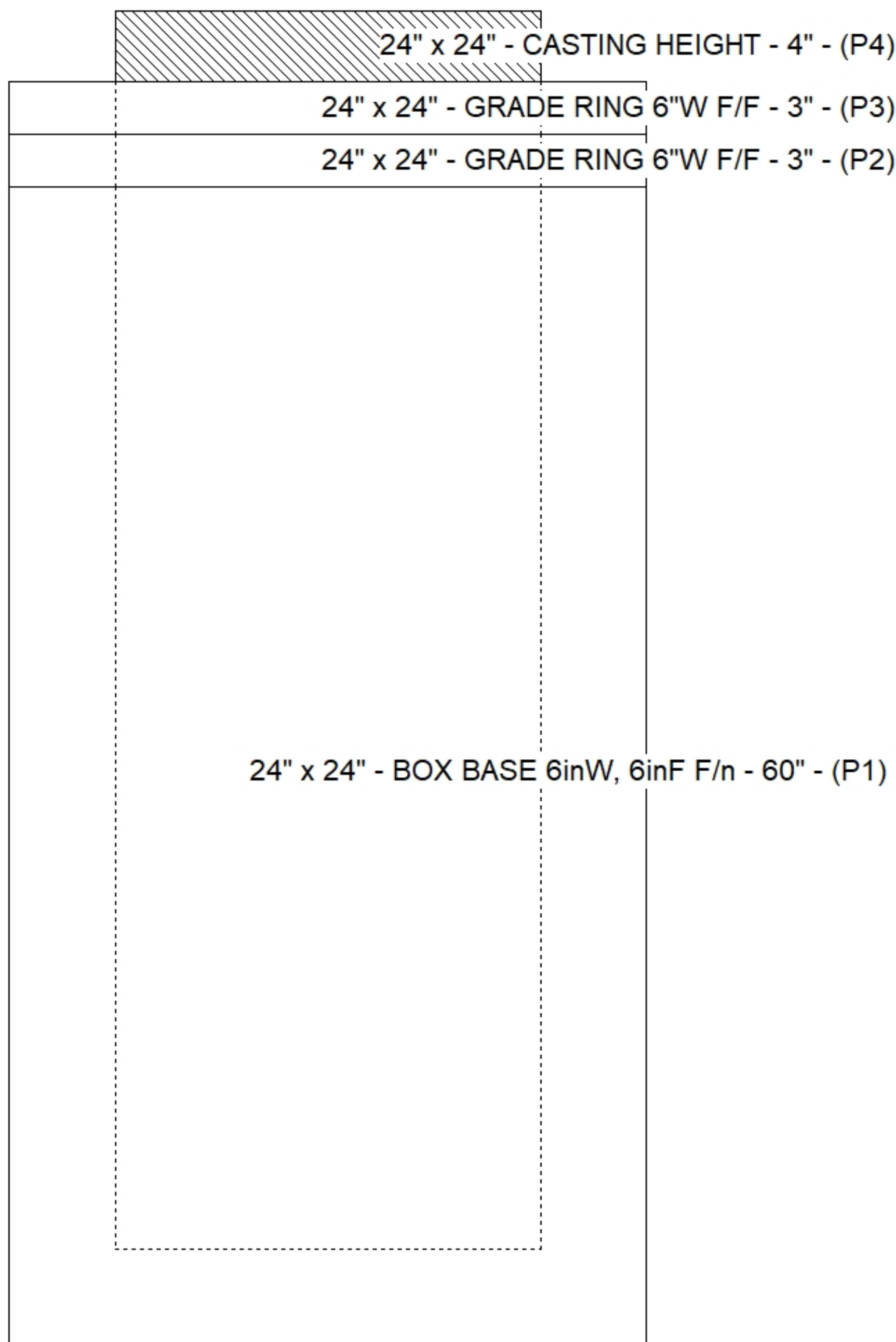
1. PER ASTM C913 SPECIFICATIONS.
2. CONCRETE = 4,000 PSI AT 28 DAYS.
3. NO INVERT CHANNEL.
4. HOE 280T F/G BY ICAST
4. REINFORCING PER ASTM A615 (GRADE 60).
 - WALLS (As .12) #5 BARS AT 12" C.C.E.W.
 - FLOOR (As .12) #5 BARS AT 12" C.C.E.W.

STRUCTURE SUMMARY:

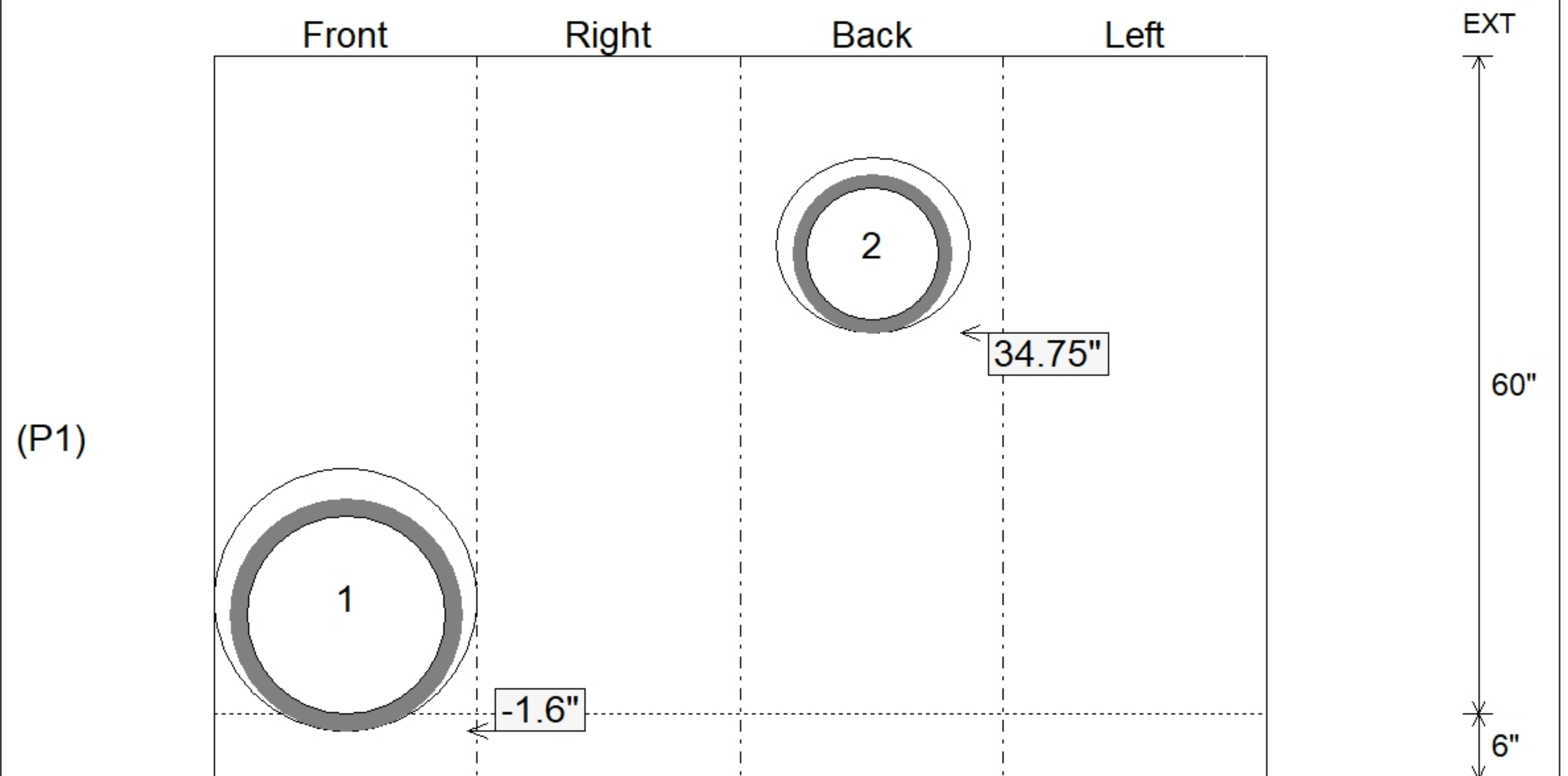
| | |
|---|----------------|
| P4) 24" x 24" - CASTING HEIGHT - 4" | 0 lb |
| P3) 24" x 24" - GRADE RING 6"W F/F - 3" | 181 lb |
| P2) 24" x 24" - GRADE RING 6"W F/F - 3" | 181 lb |
| P1) 24" x 24" - BOX BASE 6inW, 6inF F/n - 60" | 3995 lb |
| 1) CASTING - HOE 280T F/G | 182 lb |
| 3) 24" x 24" - Conseal CS-102 1.00" | 0 lb |
| 1) Hole - 24 | 0 lb |
| 1) Hole - 16 | 0 lb |
| Structure Total: | 4539 lb |



| Position | Elev | Angle | Pipe | Pipe OD | Hole | Connector | Up (") | Ref |
|----------|------|-------|----------|---------|------|-----------|--------|-----|
| Rim | 909' | | | | | | | |
| Reducer | | | | | | | | |
| Invert 1 | 903' | 0° | 18" HDPE | 21.2" | 24" | Hole 24 | -1.6" | P1 |
| Invert 2 | 906' | 205° | 12" HDPE | 14.5" | 16" | Hole 16 | 34.75" | P1 |
| Invert 3 | | | | | | | | |
| Invert 4 | | | | | | | | |
| Invert 5 | | | | | | | | |
| Invert 6 | | | | | | | | |
| Invert 7 | | | | | | | | |
| Invert 8 | | | | | | | | |



Cast (Int. Dim.) - Interior Dimensions



Submittal Drawing
 10/13/2025 1:06:12 PM

SUBMITTAL
 APPROVED BY: