

Job Name: 25-3215 Lincoln Co HS Sports Field
 Job Location: Stanford, KY 40484
 Contractor: Lagco Inc.

Plant: Beaver Dam, KY
 10/13/2025 1:06:28 PM

Tech: C. Russ
 PC: C. Goff



Structure ID: A1

P1 BX2424-06BA60

BOX BASE 6inW, 6inF F/n

- P4) 24" x 24" - CASTING HEIGHT - 4"
- P3) 24" x 24" - GRADE RING 6"W F/F - 3"
- P2) 24" x 24" - GRADE RING 6"W F/F - 3"
- P1) 24" x 24" - BOX BASE 6inW, 6inF F/n - 60"
- 1) CASTING - HOE 280T F/G
- 3) 24" x 24" - Conseal CS-102 1.00"
- 1) Hole - 24
- 1) Hole - 16

0 lb
 181 lb
 181 lb
 3995 lb
 182 lb
 0 lb
 0 lb
 0 lb

 4539 lb

Structure Total:

Structure Notes:

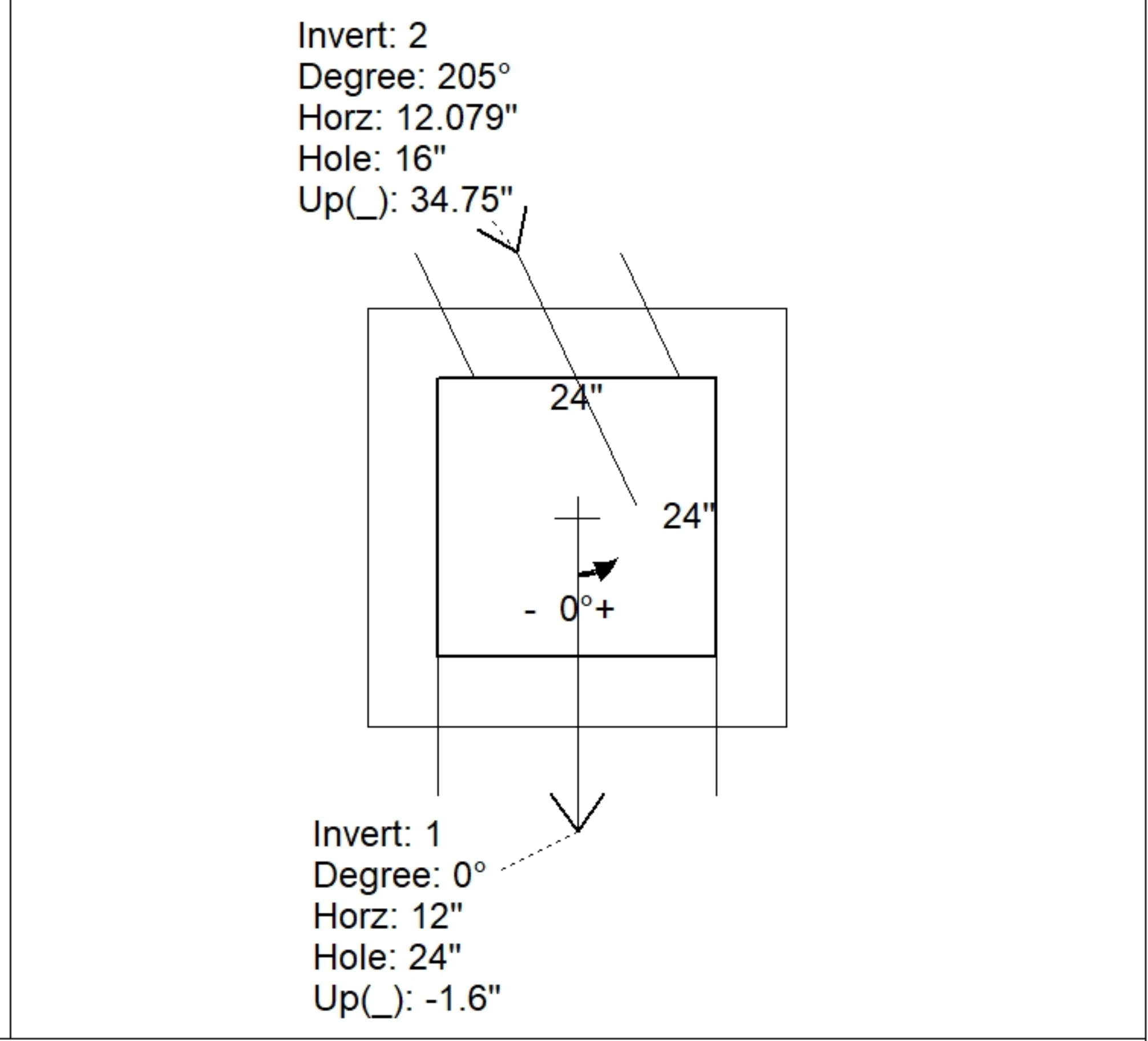
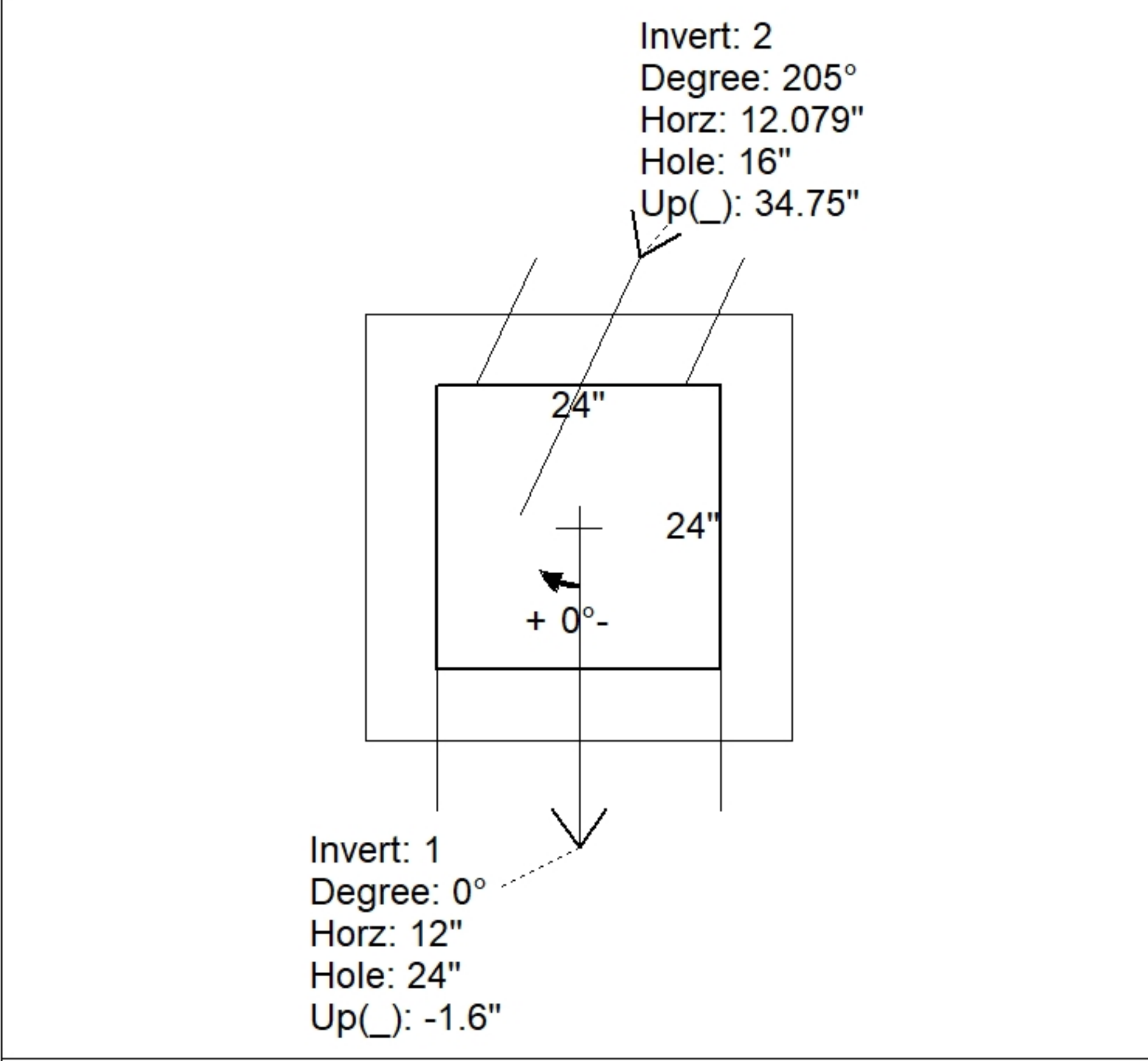
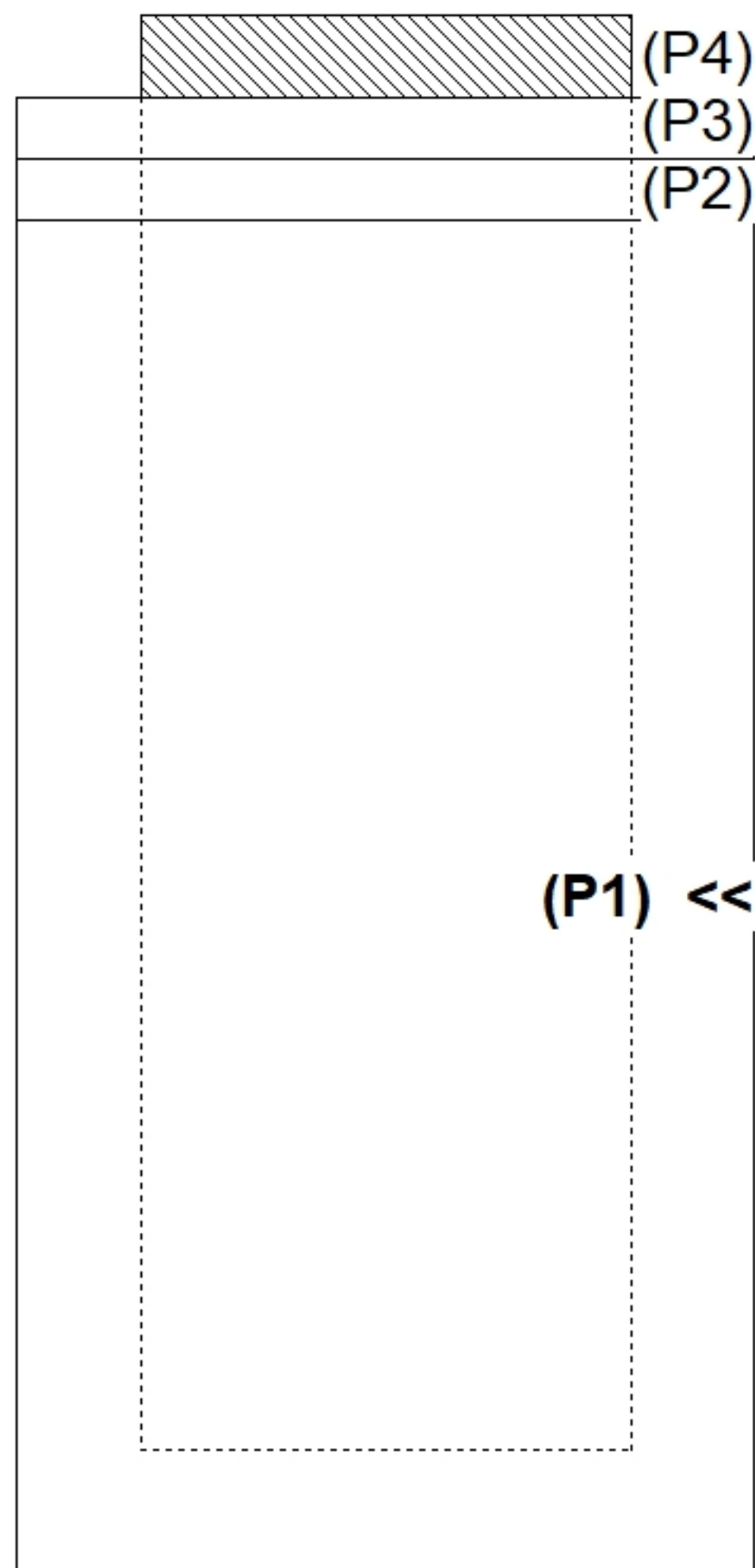
1. PER ASTM C913 SPECIFICATIONS.
2. CONCRETE = 4,000 PSI AT 28 DAYS.
3. NO INVERT CHANNEL.
4. HOE 280T F/G BY ICAST
4. REINFORCING PER ASTM A615 (GRADE 60).
 - WALLS (As .12) #5 BARS AT 12" C.C.E.W.
 - FLOOR (As .12) #5 BARS AT 12" C.C.E.W.

Rim: 909' Rim to Invert: 6' Slack: 2" Sump: 0" Step Position:

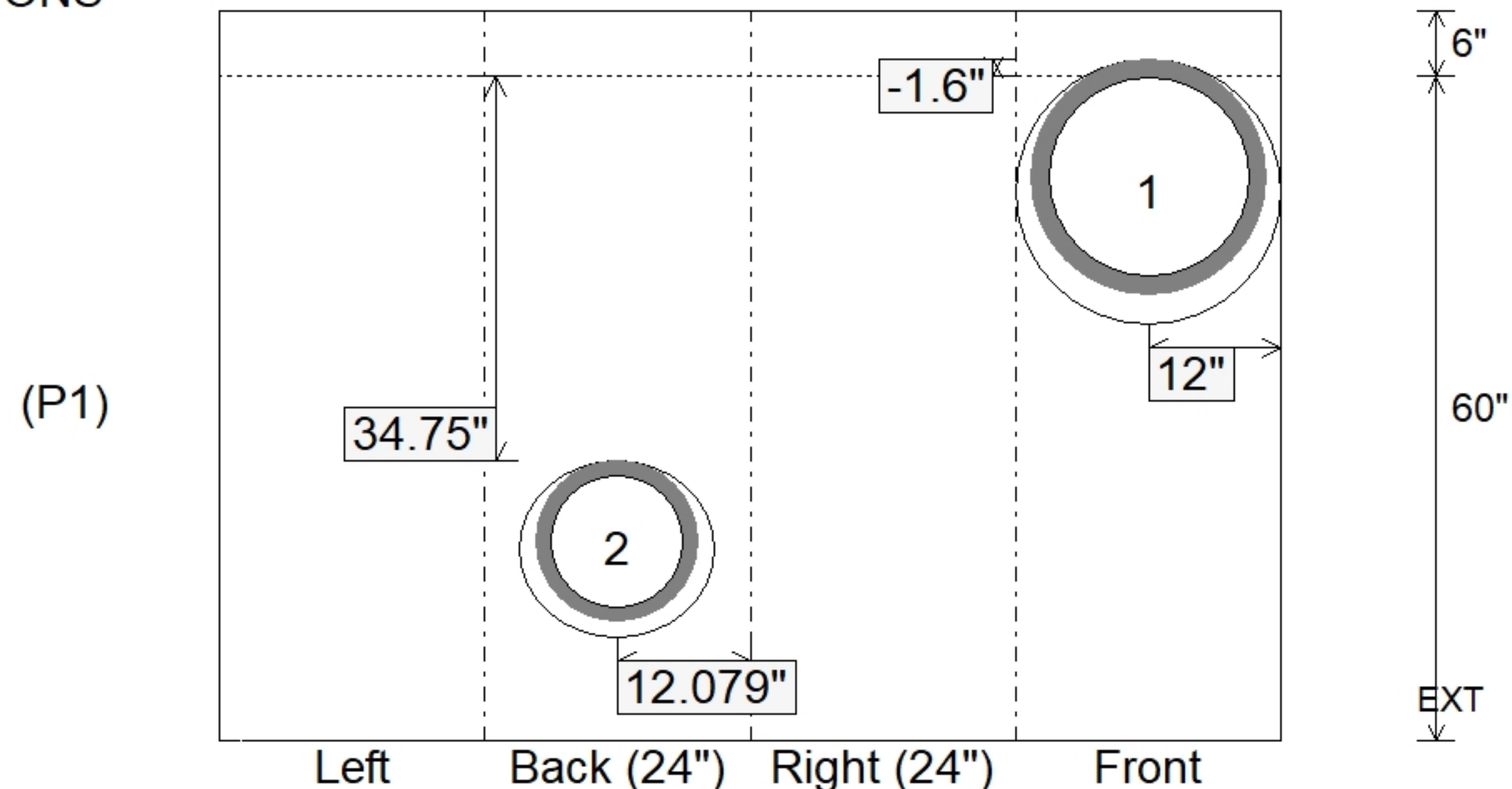
Position	Elev	Angle	Ext. (cw)	Pipe	Pipe OD	Connector	Hole	Horz Size	Up ()	Offset
Invert 1	903'	0°	18"	18" HDPE	21.2"	Hole 24	24"	24"	-1.6"	0"
Invert 2	906'	205°	20.877"	12" HDPE	14.5"	Hole 16	16"	17.654"	34.75"	-5"
Invert 3										
Invert 4										
Invert 5										
Invert 6										
Invert 7										
Invert 8										

RIGHT-SIDE UP VIEW (int. dimensions)

UPSIDE-DOWN VIEW (int. dimensions)



INSIDE WALL DIMENSIONS



Coating (Int):
 Coating (Ext):

Seam Up: Flat
 Seam Dn: n/a

Wall Thickness: 6"
 Floor Height: 6"

Height (Int): 60"
 Height (Ext): 66"

Weight (Net): 3995 lb
 Volume (Net): 1.02cu.yd