

**Job Name: 25-3198 - Garner Farm Ph 2**  
**Job Location: Somerset, Ky**  
**Contractor: Weddle Enterprises, Inc**

PC: C. Goff  
 TECH: C. Russ  
 Plant: Beaver Dam



Structure ID: **MHD7**

Spec: Sanitary  
 Type: SAN.MH  
 Size: 48"

Rim: 1053.6'  
 Invert: 1047.75'  
 Rim to Invert: 5.85'

Sump: 2"  
 Floor (Top): 1047.583'  
 Floor Height: 6"

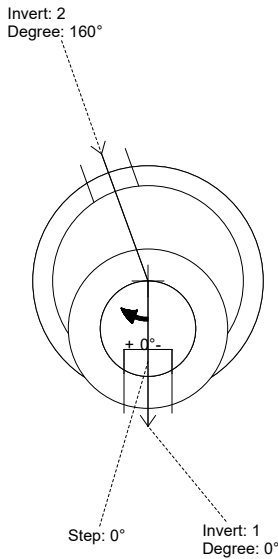
Floor (Bot): 1047.083'  
 Overall Height: 6.417'  
 Slack: 1.2"

**Structure Notes:**

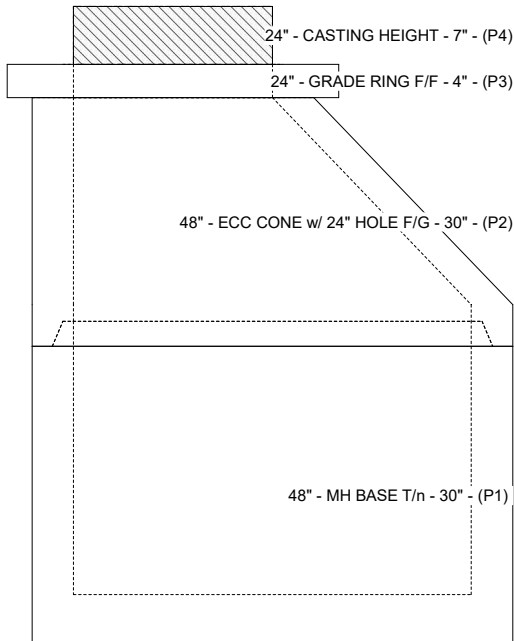
1. PER ASTM C-478 SPECIFICATIONS
2. CONCRETE: 4,000 PSI AT 28 DAYS
3. REINFORCEMENT: PER ASTM A615
4. INVERT CHANNEL REQUIRED
5. STEPS AT 0 DEGREES
6. HOE MC-350 FRAME & COVER "SANITARY" SUPPLIED BY OTHERS
7. EACH BOOT IS TO RECEIVE DOUBLE PIPE BANDS (SUPPLIED BY ICAST)

**STRUCTURE SUMMARY:**

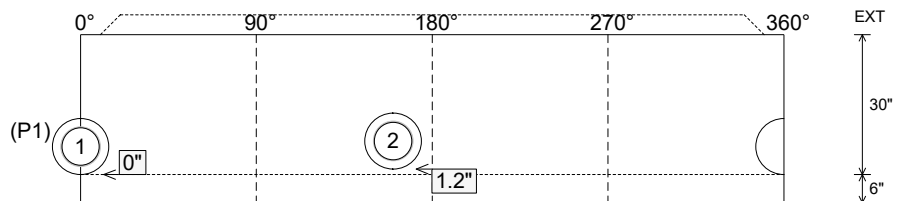
- P4) 24" - CASTING HEIGHT - 7" 0 lb
  - P3) 24" - GRADE RING F/F - 4" 270 lb
  - P2) 48" - ECC CONE w/ 24" HOLE F/G - 30" 2050 lb
  - P1) 48" - MH BASE T/n - 30" 3330 lb
  - 1) 48" - MH INVERT CHANNEL - FULL HEIGHT 1440 lb
  - 1) JOINT WRAP - 0.065"x6"x50' CONSEAL CS212 0 lb
  - 1) JOINT WRAP PRIMER - CONSEAL CS-75 (1 gal.) 0 lb
  - 1) 48" - Conseal CS-102 1.00" (Double) 0 lb
  - 2) PSX - 12-08 NYLO 16 lb
  - 5) MH Step ML-10-TDS-NCR - 10" 0 lb
- Structure Total: 7106 lb



Position	Elev	Angle	Pipe	Pipe OD	Hole	Connector	Up (L)	Ref
Rim	1053.6'							
Reducer								
Invert 1	1047.75'	0°	8" PVC SDR35	8.5"	12"	PSX 12-08 NYLO	0"	P1
Invert 2	1047.85'	160°	8" PVC SDR35	8.5"	12"	PSX 12-08 NYLO	1.2"	P1
Invert 3								
Invert 4								
Invert 5								
Invert 6								
Invert 7								
Invert 8								



**Cast (Int. Dim.) - Interior Dimensions**



Submittal Drawing  
 1/27/2026 2:03:27 PM

SUBMITTAL  
 APPROVED BY: