

Job Name: 25-3198 - Garner Farm Ph 2
Job Location: Somerset, Ky
Contractor: Weddle Enterprises, Inc

PC: C. Goff
 TECH: C. Russ
 Plant: Beaver Dam



Structure ID: MHD2

Spec: Sanitary
 Type: SAN.MH
 Size: 48"

Rim: 1024.44'
 Invert: 1018.44'
 Rim to Invert: 6'

Sump: 3"
 Floor (Top): 1018.19'
 Floor Height: 6"

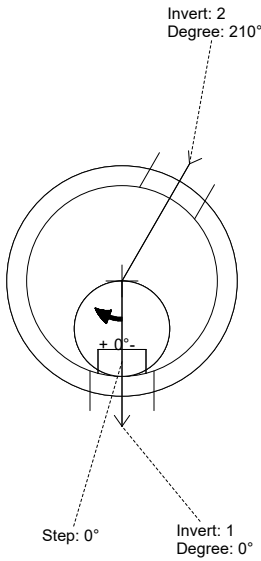
Floor (Bot): 1017.69'
 Overall Height: 6.583'
 Slack: 2"

Structure Notes:

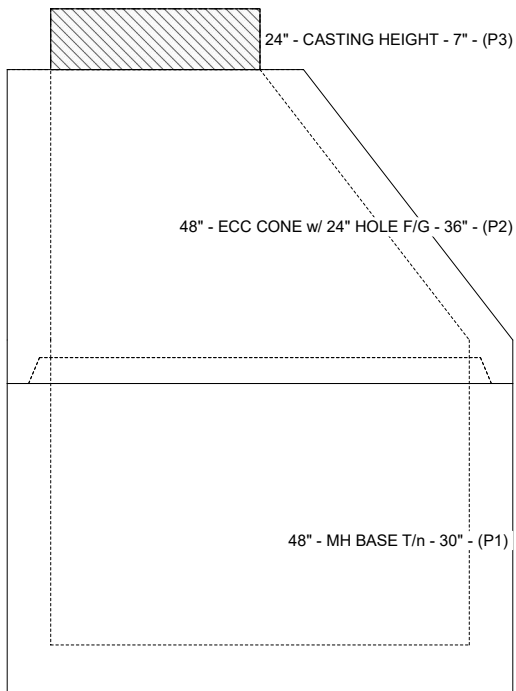
1. PER ASTM C-478 SPECIFICATIONS
2. CONCRETE: 4,000 PSI AT 28 DAYS
3. REINFORCEMENT: PER ASTM A615
4. INVERT CHANNEL REQUIRED
5. STEPS AT 0 DEGREES
6. HOE MC-350 FRAME & COVER "SANITARY" SUPPLIED BY OTHERS
7. EACH BOOT IS TO RECEIVE DOUBLE PIPE BANDS (SUPPLIED BY ICAST)

STRUCTURE SUMMARY:

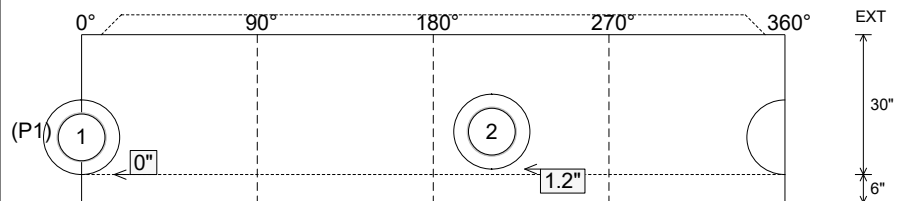
P3) 24" - CASTING HEIGHT - 7"	0 lb
P2) 48" - ECC CONE w/ 24" HOLE F/G - 36"	3000 lb
P1) 48" - MH BASE T/n - 30"	3255 lb
1) 48" - MH INVERT CHANNEL - FULL HEIGHT	1440 lb
1) JOINT WRAP - 0.065"x6"x50' CONSEAL CS212	0 lb
1) JOINT WRAP PRIMER - CONSEAL CS-75 (1 gal.)	0 lb
1) 48" - Conseal CS-102 1.00" (Double)	0 lb
2) PSX - 16Y NYLO	16 lb
4) MH Step ML-10-TDS-NCR - 10"	0 lb
Structure Total:	7711 lb



Position	Elev	Angle	Pipe	Pipe OD	Hole	Connector	Up (L)	Ref
Rim	1024.44'							
Reducer								
Invert 1	1018.44'	0°	10" PVC SDR35	10.5"	16"	PSX 16Y NYLO	0"	P1
Invert 2	1018.54'	210°	10" PVC SDR35	10.5"	16"	PSX 16Y NYLO	1.2"	P1
Invert 3								
Invert 4								
Invert 5								
Invert 6								
Invert 7								
Invert 8								



Cast (Int. Dim.) - Interior Dimensions



Submittal Drawing
 1/27/2026 2:03:24 PM

SUBMITTAL
 APPROVED BY: