

Job Name: 25-3198 - Garner Farm Ph 2
 Job Location: Somerset, Ky
 Contractor: Weddle Enterprises, Inc

Plant: Beaver Dam

Tech: C. Russ

1/27/2026 2:10:24 PM

PC: C. Goff



Structure ID: MHD2

P1 MH048BA30

MH BASE T/n

- P3) 24" - CASTING HEIGHT - 7"
- P2) 48" - ECC CONE w/ 24" HOLE F/G - 36"
- P1) 48" - MH BASE T/n - 30"
- 1) 48" - MH INVERT CHANNEL - FULL HEIGHT
- 1) JOINT WRAP - 0.065"x6"x50" CONSEAL CS212
- 1) JOINT WRAP PRIMER - CONSEAL CS-75 (1 gal.)
- 1) 48" - Conseal CS-102 1.00" (Double)
- 2) PSX - 16Y NYLO
- 4) MH Step ML-10-TDS-NCR - 10"

0 lb
 3000 lb
 3255 lb
 1440 lb
 0 lb
 0 lb
 0 lb
 0 lb
 16 lb
 0 lb

 Structure Total: 7711 lb

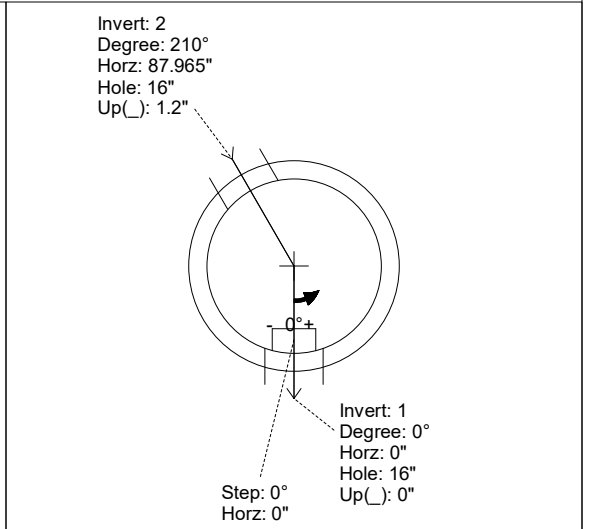
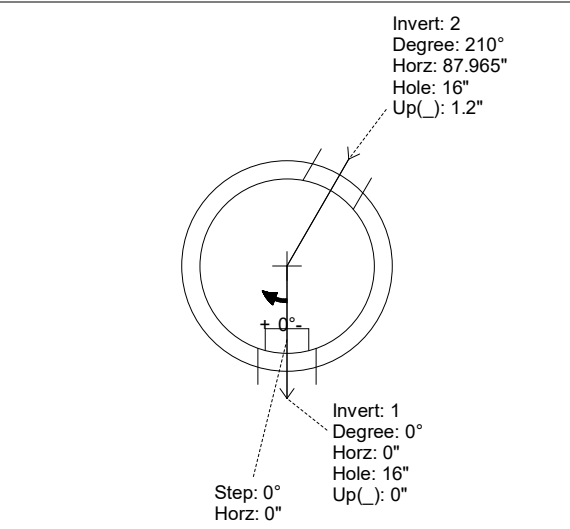
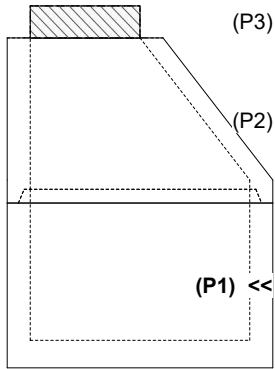
- Structure Notes:**
1. PER ASTM C-478 SPECIFICATIONS
 2. CONCRETE: 4,000 PSI AT 28 DAYS
 3. REINFORCEMENT: PER ASTM A615
 4. INVERT CHANNEL REQUIRED
 5. STEPS AT 0 DEGREES
 6. HOE MC-350 FRAME & COVER "SANITARY" SUPPLIED BY OTHERS
 7. EACH BOOT IS TO RECEIVE DOUBLE PIPE BANDS (SUPPLIED BY ICAST)

Rim: 1024.44' Rim to Invert: 6' Slack: 2" Sump: 3" Step Position: 0°

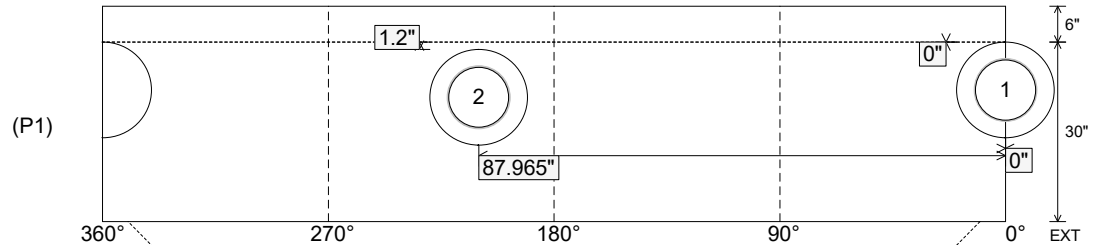
Position	Elev	Angle	Ext. (cw)	Pipe	Pipe OD	Connector	Hole	Horz Size	Up ()	Offset
Invert 1	1018.44'	0°	0"	10" PVC SDR35	10.5"	PSX 16Y NYLO	16"	16.312"	0"	0"
Invert 2	1018.54'	210°	106.291"	10" PVC SDR35	10.5"	PSX 16Y NYLO	16"	16.312"	1.2"	0"
Invert 3										
Invert 4										
Invert 5										
Invert 6										
Invert 7										
Invert 8										

RIGHT-SIDE UP VIEW (int. dimensions)

UPSIDE-DOWN VIEW (int. dimensions)



INSIDE WALL DIMENSIONS



Coating (Int):
 Coating (Ext):

Seam Up: Tongue
 Seam Dn: n/a

Wall Thickness: 5"
 Floor Height: 6"

Height (Int): 30"
 Height (Ext): 36"

Weight (Net): 3255 lb
 Volume (Net): 0.83cu.yd

Job Name: 25-3198 - Garner Farm Ph 2
 Job Location: Somerset, Ky
 Contractor: Weddle Enterprises, Inc

Plant: Beaver Dam
 1/27/2026 2:10:24 PM

Tech: C. Russ
 PC: C. Goff



Structure ID: MHD2

P1 MH048BA30

MH BASE T/n

- P3) 24" - CASTING HEIGHT - 7"
- P2) 48" - ECC CONE w/ 24" HOLE F/G - 36"
- P1) 48" - MH BASE T/n - 30"
- 1) 48" - MH INVERT CHANNEL - FULL HEIGHT
- 1) JOINT WRAP - 0.065"x6"x50" CONSEAL CS212
- 1) JOINT WRAP PRIMER - CONSEAL CS-75 (1 gal.)
- 1) 48" - Conseal CS-102 1.00" (Double)
- 2) PSX - 16Y NYLO
- 4) MH Step ML-10-TDS-NCR - 10"

0 lb
 3000 lb
 3255 lb
 1440 lb
 0 lb
 0 lb
 0 lb
 0 lb
 16 lb
 0 lb

 Structure Total: 7711 lb

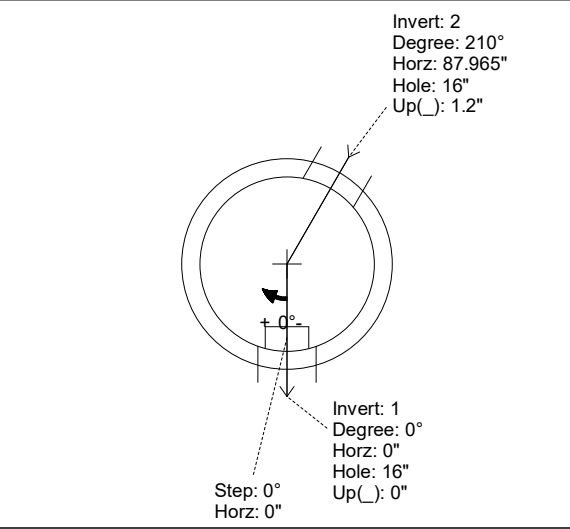
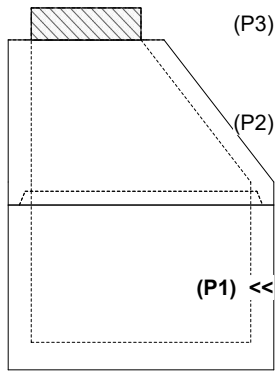
- Structure Notes:**
1. PER ASTM C-478 SPECIFICATIONS
 2. CONCRETE: 4,000 PSI AT 28 DAYS
 3. REINFORCEMENT: PER ASTM A615
 4. INVERT CHANNEL REQUIRED
 5. STEPS AT 0 DEGREES
 6. HOE MC-350 FRAME & COVER "SANITARY" SUPPLIED BY OTHERS
 7. EACH BOOT IS TO RECEIVE DOUBLE PIPE BANDS (SUPPLIED BY ICAST)

Rim: 1024.44' Rim to Invert: 6' Slack: 2" Sump: 3" Step Position: 0°

Position	Elev	Angle	Ext. (cw)	Pipe	Pipe OD	Connector	Hole	Horz Size	Up ()	Offset
Invert 1	1018.44'	0°	0"	10" PVC SDR35	10.5"	PSX 16Y NYLO	16"	16.312"	0"	0"
Invert 2	1018.54'	210°	106.291"	10" PVC SDR35	10.5"	PSX 16Y NYLO	16"	16.312"	1.2"	0"
Invert 3										
Invert 4										
Invert 5										
Invert 6										
Invert 7										
Invert 8										

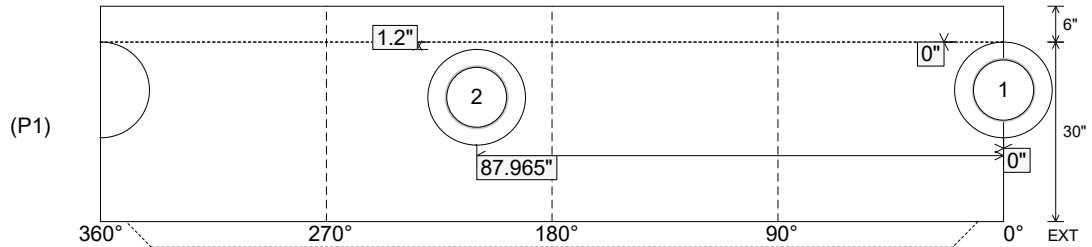
RIGHT-SIDE UP VIEW (int. dimensions)

UPSIDE-DOWN VIEW (int. dimensions)



INVERT CHANNEL
DRAWING

INSIDE WALL DIMENSIONS



Coating (Int):
 Coating (Ext):

Seam Up: Tongue
 Seam Dn: n/a

Wall Thickness: 5"
 Floor Height: 6"

Height (Int): 30"
 Height (Ext): 36"

Weight (Net): 3255 lb
 Volume (Net): 0.83cu.yd

Job Number:

25-3198

Job Name:

Garner Farm Ph 2

Structure:

MHD2

Note:

Each Boot Is To Receive Double Pipe Bands (Supplied By iCast)