

Job Name: 25-3198 - Garner Farm Ph 2  
 Job Location: Somerset, Ky  
 Contractor: Weddle Enterprises, Inc

Plant: Beaver Dam  
 1/27/2026 2:11:26 PM

Tech: C. Russ  
 PC: C. Goff



**Structure ID: CBI 31**

**P2 MH048LD12-18x36 RECT**

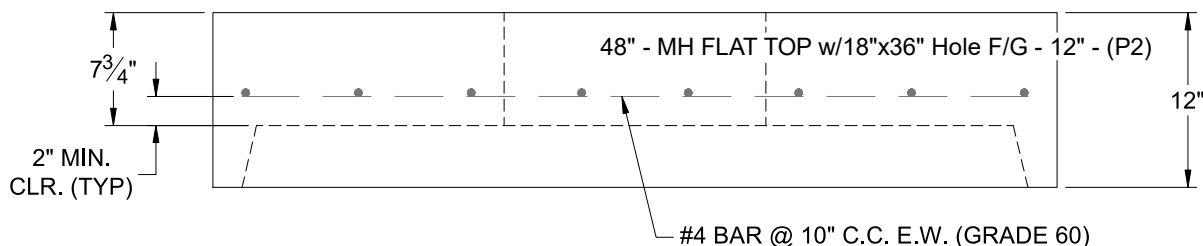
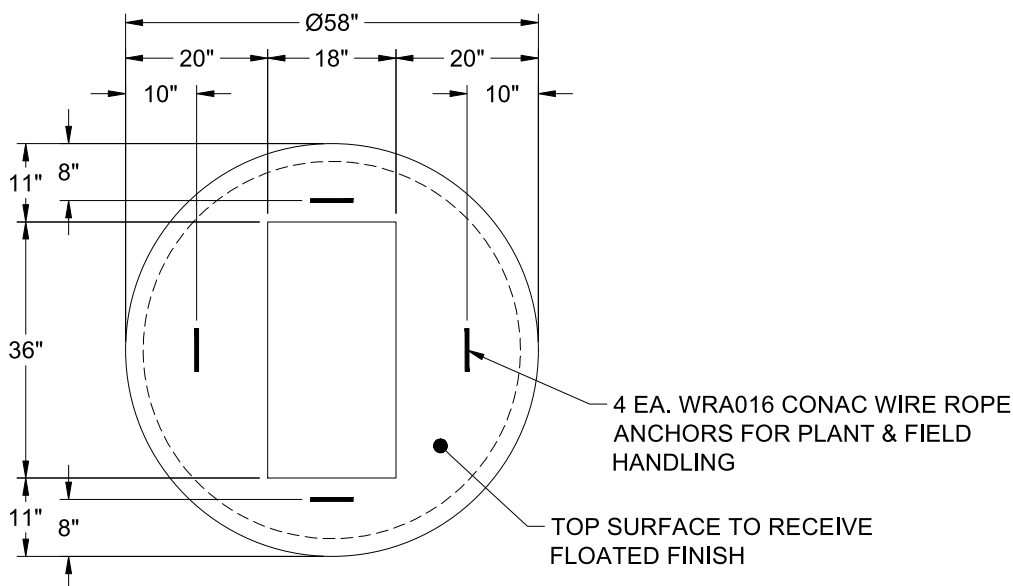
**MH FLAT TOP w/18"x36" Hole F/G**

- P3) 18" x 36" - CASTING HEIGHT - 5.5"
- P2) 48" - MH FLAT TOP w/18"x36" Hole F/G - 12"
- P1) 48" - MH BASE T/n - 30"
- 1) 48" - Conseal CS-102 1.00"
- 1) 18" x 36" - Conseal CS-102 1.00"
- 1) Hole - 20"
- 3) MH Step ML-10-TDS-NCR - 10"

0 lb  
 2008 lb  
 3291 lb  
 0 lb  
 0 lb  
 0 lb  
 0 lb  
 -----  
 0 lb

Structure Total: 5299 lb

- Structure Notes:**
1. PER ASTM C-478 SPECIFICATIONS
  2. CONCRETE: 4,000 PSI AT 28 DAYS
  3. REINFORCEMENT: #4 BAR @ 10" C.C. E.W. (GRADE 60) - 2" MIN. REBAR CLEARANCE (TYP)
  4. HOE 580-A FRAME & GRATES SUPPLIED BY OTHERS
  5. LIFTERS: 4 EA. WRA016 CONAC WIRE ROPE ANCHORS FOR PLANT & FIELD HANDLING
  6. TOP SURFACE TO RECEIVE FLOATED FINISH



Coating (Int):  
 Coating (Ext):

Seam Up: Flat  
 Seam Dn: Groove

Wall Thickness: 5"

Height (Ext): 12"

Weight (Net): 2008 lb  
 Volume (Net): 0.51cu.yd