

**Job Name: 25-3198 - Garner Farm Ph 2**  
**Job Location: Somerset, Ky**  
**Contractor: Weddle Enterprises, Inc**

PC: C. Goff  
 TECH: C. Russ  
 Plant: Beaver Dam



Structure ID: CBI 28

Spec: Storm  
 Type: STM.MH (Recessed pipe)  
 Size: 48"

Rim: 1052'  
 Invert: 1047.5'  
 Rim to Invert: 4.5'

Sump: 0"  
 Floor (Top): 1047.5'  
 Floor Height: 6"

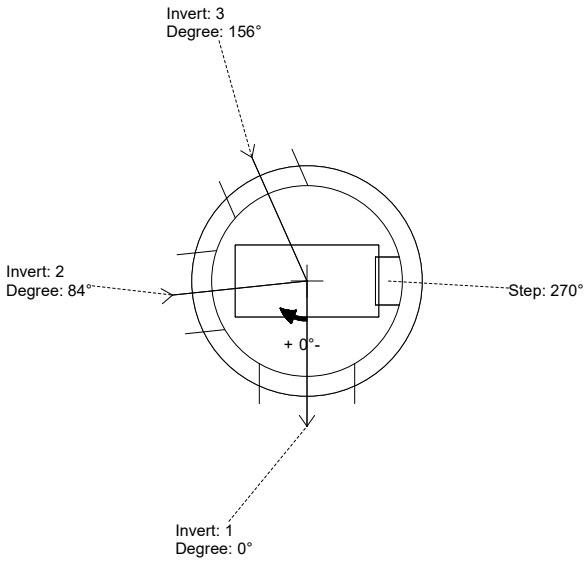
Floor (Bot): 1047'  
 Overall Height: 4.958'  
 Slack: 0.5"

**Structure Notes:**

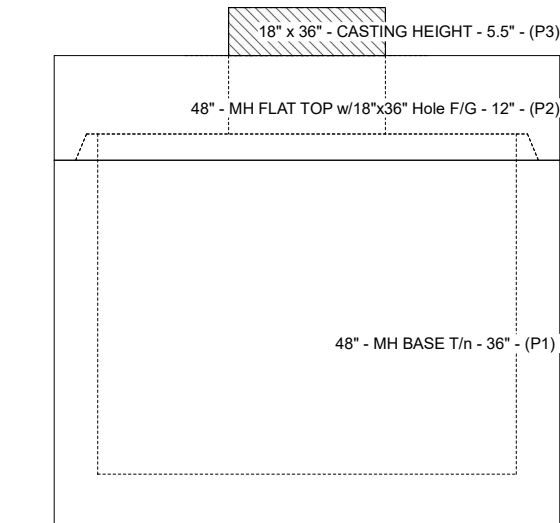
1. PER ASTM C-478 SPECIFICATIONS
2. CONCRETE: 4,000 PSI AT 28 DAYS
3. REINFORCEMENT:
  - FLAT LID: #4 BAR @ 10" C.C. E.W. (GRADE 60)
  - BASE: PER ASTM A615
4. NO STORM INVERT
5. STEPS AT 270 DEGREES
6. HOE 580-A FRAME & GRATES SUPPLIED BY OTHERS

**STRUCTURE SUMMARY:**

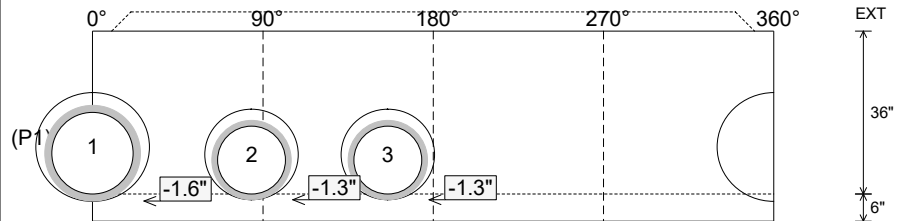
P3) 18" x 36" - CASTING HEIGHT - 5.5"	0 lb
P2) 48" - MH FLAT TOP w/18"x36" Hole F/G - 12"	2008 lb
P1) 48" - MH BASE T/n - 36"	3377 lb
1) 48" - Conseal CS-102 1.00"	0 lb
1) 18" x 36" - Conseal CS-102 1.00"	0 lb
1) Hole - 24	0 lb
2) Hole - 20	0 lb
3) MH Step ML-10-TDS-NCR - 10"	0 lb
	Structure Total: 5385 lb



Position	Elev	Angle	Pipe	Pipe OD	Hole	Connector	Up (")	Ref
Rim	1052'							
Reducer								
Invert 1	1047.5'	0°	18" HDPE	21.2"	24"	Hole 24	-1.6"	P1
Invert 2	1047.5'	84°	15" HDPE	17.6"	20"	Hole 20	-1.3"	P1
Invert 3	1047.5'	156°	15" HDPE	17.6"	20"	Hole 20	-1.3"	P1
Invert 4								
Invert 5								
Invert 6								
Invert 7								
Invert 8								



**Cast (Int. Dim.) - Interior Dimensions**



Submittal Drawing  
 1/27/2026 2:03:21 PM

SUBMITTAL  
 APPROVED BY: