

Job Name: 25-3198 - Garner Farm Ph 2
Job Location: Somerset, Ky
Contractor: Weddle Enterprises, Inc

PC: C. Goff
 TECH: C. Russ
 Plant: Beaver Dam



Structure ID: CBI 24

Spec: Storm
 Type: STM.MH (Recessed pipe)
 Size: 48"

Rim: 1035.87'
 Invert: 1031.87'
 Rim to Invert: 4'

Sump: 0"
 Floor (Top): 1031.87'
 Floor Height: 6"

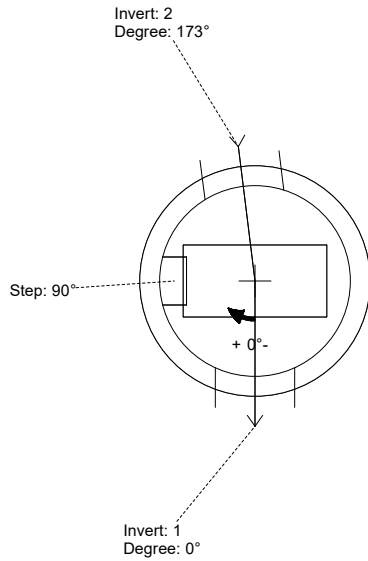
Floor (Bot): 1031.37'
 Overall Height: 4.458'
 Slack: 0.5"

Structure Notes:

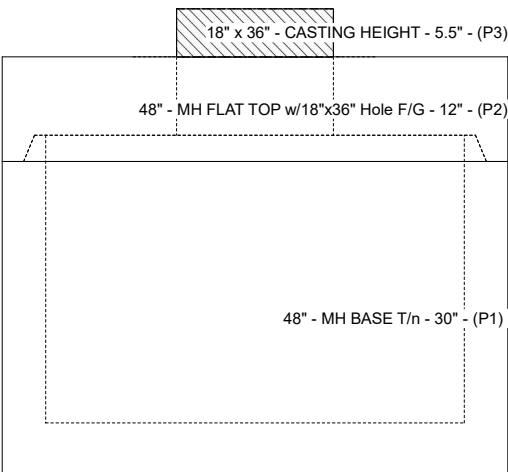
1. PER ASTM C-478 SPECIFICATIONS
2. CONCRETE: 4,000 PSI AT 28 DAYS
3. REINFORCEMENT:
 - FLAT LID: #4 BAR @ 10" C.C. E.W. (GRADE 60)
 - BASE: PER ASTM A615
4. NO STORM INVERT
5. STEPS AT 90 DEGREES
6. HOE 580-A FRAME & GRATES SUPPLIED BY OTHERS

STRUCTURE SUMMARY:

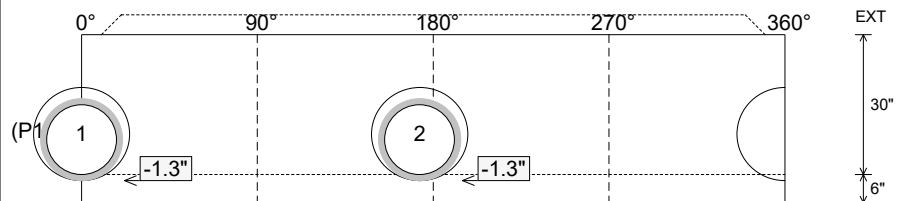
- P3) 18" x 36" - CASTING HEIGHT - 5.5" 0 lb
 - P2) 48" - MH FLAT TOP w/18"x36" Hole F/G - 12" 2008 lb
 - P1) 48" - MH BASE T/n - 30" 3155 lb
 - 1) 48" - Conseal CS-102 1.00" 0 lb
 - 1) 18" x 36" - Conseal CS-102 1.00" 0 lb
 - 2) Hole - 20 0 lb
 - 3) MH Step ML-10-TDS-NCR - 10" 0 lb
- Structure Total: 5163 lb



| Position | Elev | Angle | Pipe | Pipe OD | Hole | Connector | Up (L) | Ref |
|----------|----------|-------|----------|---------|------|-----------|--------|-----|
| Rim | 1035.87' | | | | | | | |
| Reducer | | | | | | | | |
| Invert 1 | 1031.87' | 0° | 15" HDPE | 17.6" | 20" | Hole 20 | -1.3" | P1 |
| Invert 2 | 1031.87' | 173° | 15" HDPE | 17.6" | 20" | Hole 20 | -1.3" | P1 |
| Invert 3 | | | | | | | | |
| Invert 4 | | | | | | | | |
| Invert 5 | | | | | | | | |
| Invert 6 | | | | | | | | |
| Invert 7 | | | | | | | | |
| Invert 8 | | | | | | | | |



Cast (Int. Dim.) - Interior Dimensions



Submittal Drawing
 1/27/2026 2:03:19 PM

SUBMITTAL
 APPROVED BY: