

Job Name: 25-3198 - Garner Farm Ph 2  
 Job Location: Somerset, Ky  
 Contractor: Weddle Enterprises, Inc

Plant: Beaver Dam  
 1/27/2026 2:10:17 PM

Tech: C. Russ  
 PC: C. Goff



**Structure ID: CBI 21**

**P1 MH048BA30**

**MH BASE T/n**

- P3) 18" x 36" - CASTING HEIGHT - 5.5"
- P2) 48" - MH FLAT TOP w/18"x36" Hole F/G - 12"
- P1) 48" - MH BASE T/n - 30"
- 1) 48" - Conseal CS-102 1.00"
- 1) 18" x 36" - Conseal CS-102 1.00"
- 1) Hole - 20
- 3) MH Step ML-10-TDS-NCR - 10"

0 lb  
 2008 lb  
 3291 lb  
 0 lb  
 0 lb  
 0 lb  
 0 lb  
 -----  
 0 lb  
 Structure Total: 5299 lb

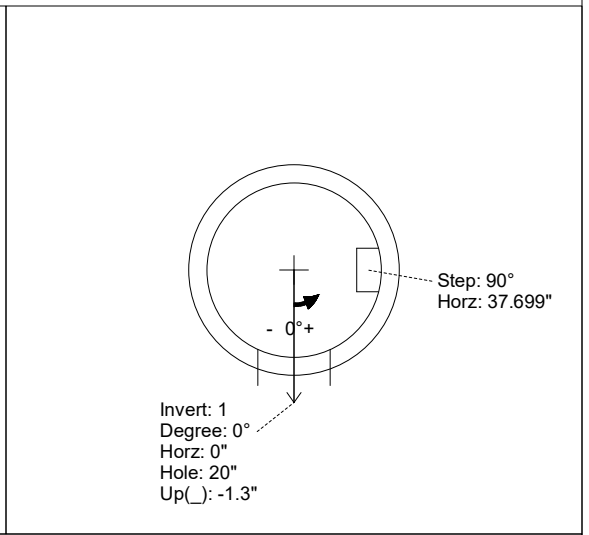
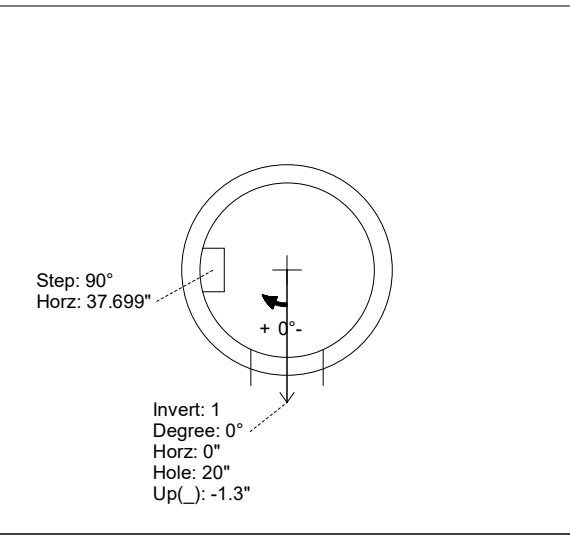
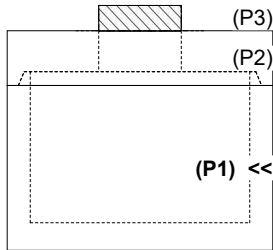
- Structure Notes:**
1. PER ASTM C-478 SPECIFICATIONS
  2. CONCRETE: 4,000 PSI AT 28 DAYS
  3. REINFORCEMENT: PER ASTM A615
  4. NO STORM INVERT
  5. STEPS AT 90 DEGREES
  6. HOE 580-A FRAME & GRATES SUPPLIED BY OTHERS

Rim: 1019.9' Rim to Invert: 4' Slack: 0.5" Sump: 0" Step Position: 90°

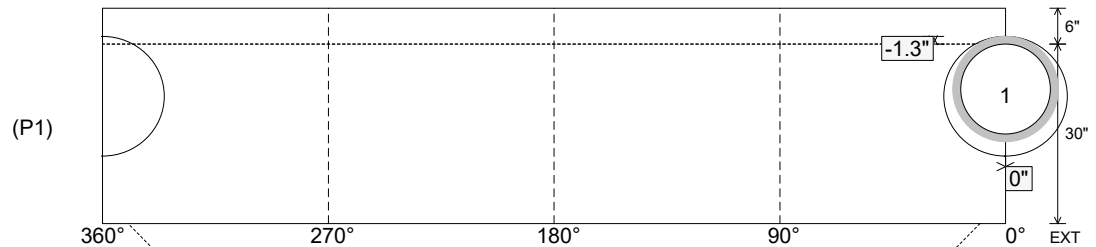
Position	Elev	Angle	Ext. (cw)	Pipe	Pipe OD	Connector	Hole	Horz Size	Up ( )	Offset
Invert 1	1015.9'	0°	0"	15" HDPE	17.6"	Hole 20	20"	20.629"	-1.3"	0"
Invert 2										
Invert 3										
Invert 4										
Invert 5										
Invert 6										
Invert 7										
Invert 8										

RIGHT-SIDE UP VIEW (int. dimensions)

UPSIDE-DOWN VIEW (int. dimenions)



INSIDE WALL DIMENSIONS



Coating (Int):  
 Coating (Ext):

Seam Up: Tongue  
 Seam Dn: n/a

Wall Thickness: 5"  
 Floor Height: 6"

Height (Int): 30"  
 Height (Ext): 36"

Weight (Net): 3291 lb  
 Volume (Net): 0.84cu.yd