

**Job Name: 25-3194B KYTC Todd Co Call 101 (251113)**

**Job Location: Guthrie, KY**

**Contractor: Scott & Ritter, Inc.**

PC: Celina Goff

TECH: J. Horsley - A

Plant: 100



**Structure ID: 1+02 (48+35 LT)**

Spec: Sanitary  
Type: SAN.MH  
Size: 48"

Rim: 552.22'  
Invert: 544.22'  
Rim to Invert: 8'

Sump: 3"  
Floor (Top): 543.97'  
Floor Height: 6"

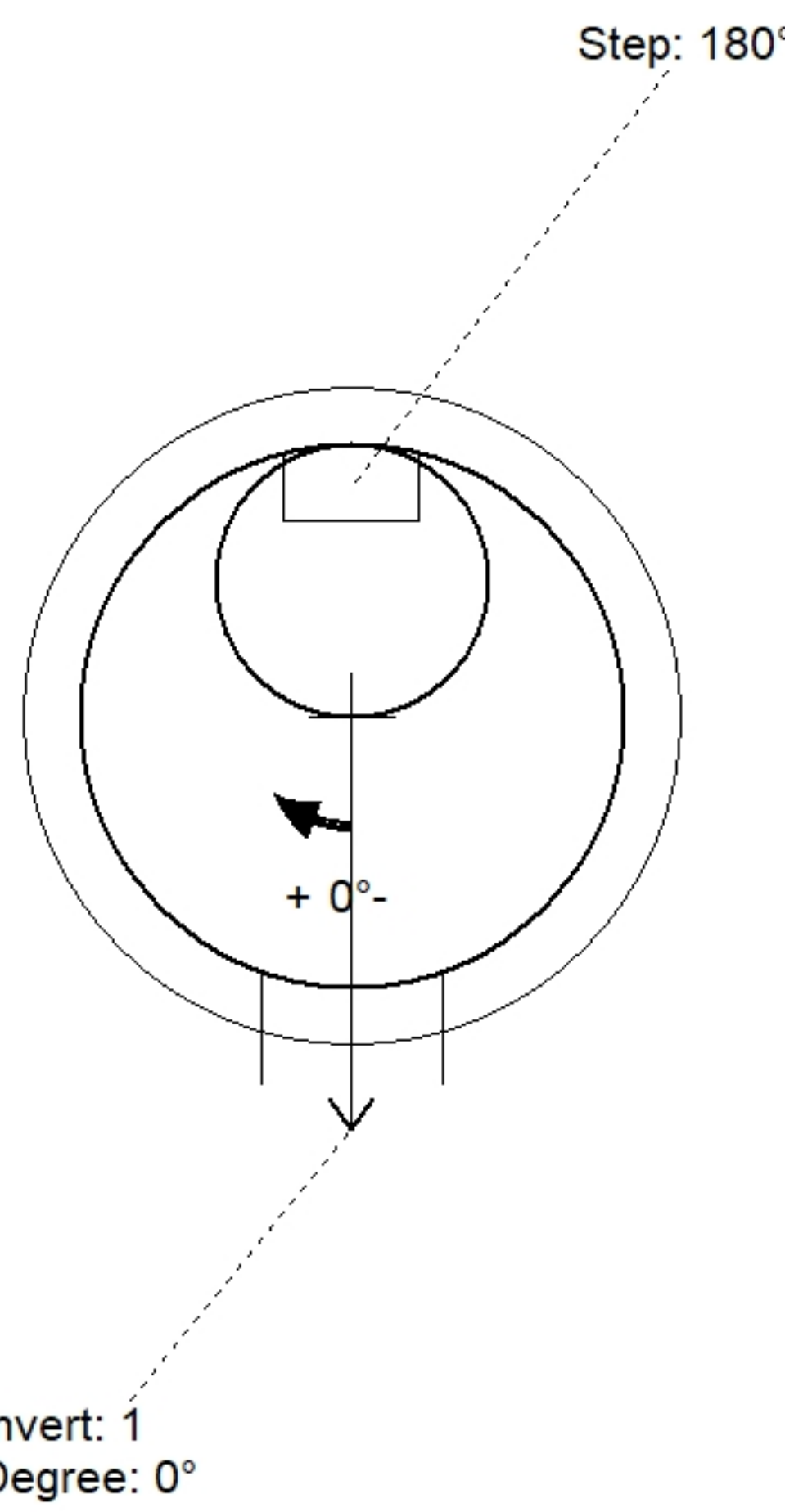
Floor (Bot): 543.47'  
Overall Height: 8.583'  
Slack: 2"

**Structure Notes:**

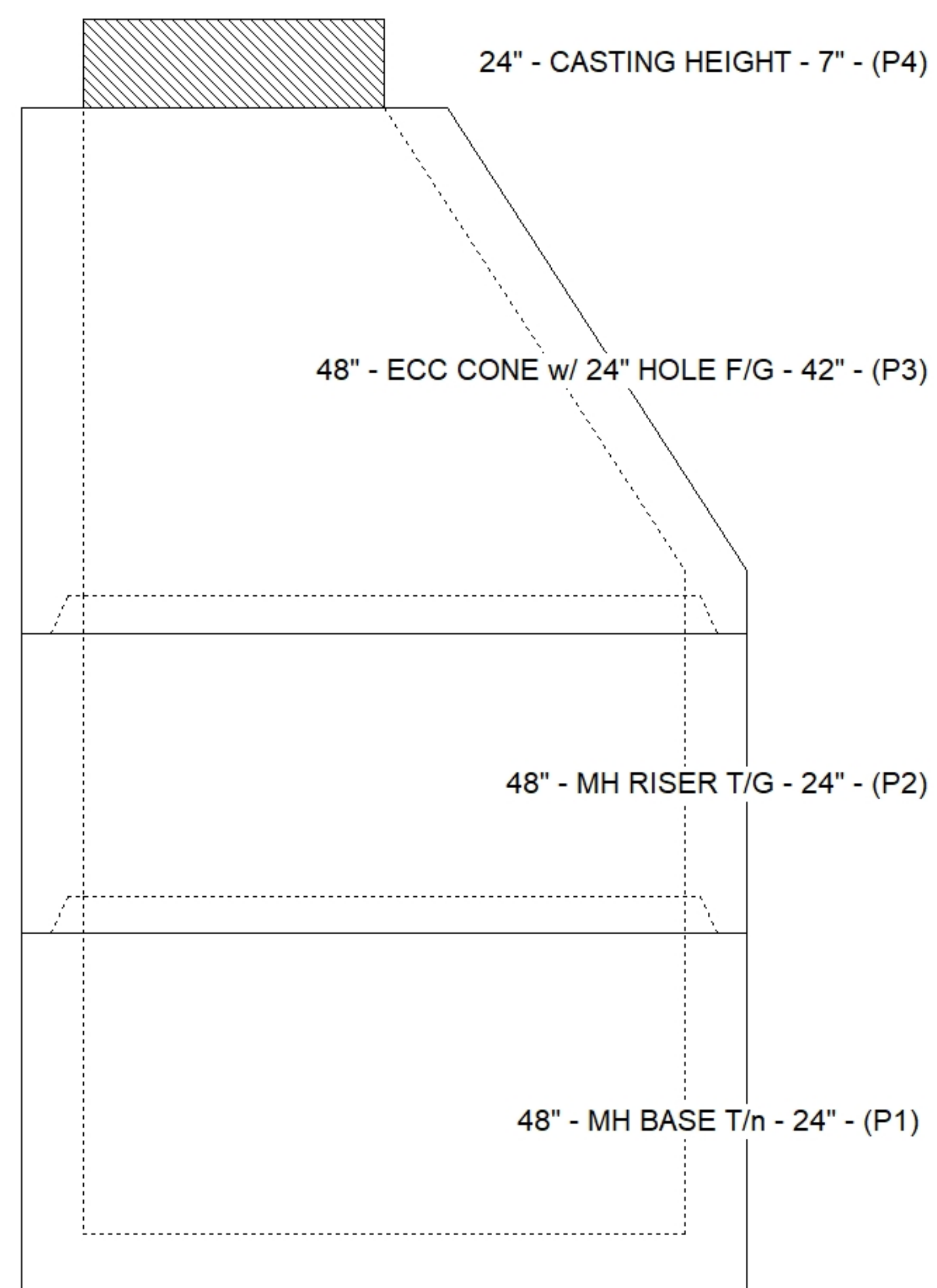
- STATION: 1+02 (US 79 NEAR 48+50)
- 1. HOE MC-315 F/C "Sanitary" PROVIDED BY ICAST.
- 2. PER ASTM C478 SPECIFICATIONS.
- 3. CONCRETE = 4,000 PSI AT 28 DAYS.
- 4. REINFORCING PER ASTM A615 (GRADE 60).
- CONE (As .12)
- RISER/WALLS (As .12)
- FLOOR (As .31) #5 BARS AT 12" C.C.E.W.

**STRUCTURE SUMMARY:**

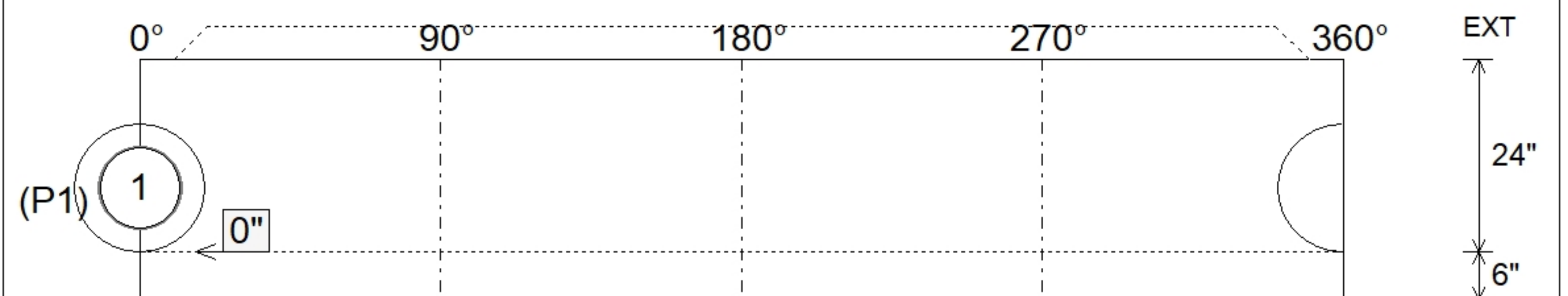
P4) 24" - CASTING HEIGHT - 7"	0 lb
P3) 48" - ECC CONE w/ 24" HOLE F/G - 42"	3200 lb
P2) 48" - MH RISER T/G - 24"	1677 lb
P1) 48" - MH BASE T/n - 24"	2921 lb
1) JOINT WRAP - 0.065"x6"x50' CONSEAL CS212	0 lb
1) JOINT WRAP PRIMER - CONSEAL CS-75 (1 gal.)	0 lb
1) 48" - MH INVERT CHANNEL - FULL HEIGHT	1440 lb
2) 48" - Conseal CS-102 1.00" (Double)	0 lb
1) PSX - 16Y NYLO	8 lb
7) MH Step ML-10-TDS-NCR - 10"	0 lb
<b>Structure Total:</b>	<b>9246 lb</b>



Position	Elev	Angle	Pipe	Pipe OD	Hole	Connector	Up ( )	Ref
Rim	552.22'							
Reducer								
Invert 1	544.22'	0°	10" PVC SDR35	10.5"	16"	PSX 16Y NYLO	0"	P1
Invert 2								
Invert 3								
Invert 4								
Invert 5								
Invert 6								
Invert 7								
Invert 8								



**Cast (Int. Dim.) - Interior Dimensions**



Submittal Drawing  
11/18/2025 1:17:49 PM

SUBMITTAL  
APPROVED BY: