

Job Name: 25-3194B KYTC Todd Co Call 101 (251113)  
 Job Location: Guthrie, KY  
 Contractor: Scott & Ritter, Inc.

Plant: 100  
 11/17/2025 1:49:06 PM

Tech: J. Horsley - A  
 PC: Celina Goff



**Structure ID: 1+02 (48+35 LT)**

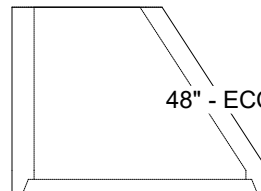
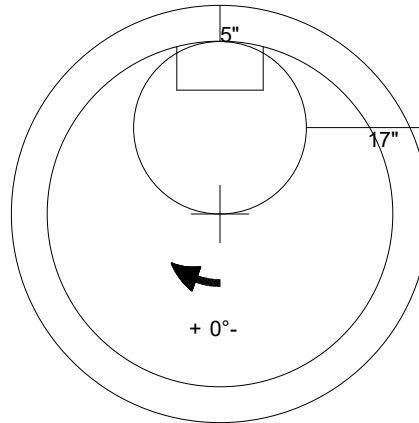
**P3 MH048CN42**

**ECC CONE w/ 24" HOLE F/G**

- P4) 24" - CASTING HEIGHT - 7"
- P3) 48" - ECC CONE w/ 24" HOLE F/G - 42"
- P2) 48" - MH RISER T/G - 24"
- P1) 48" - MH BASE T/n - 24"
- 1) JOINT WRAP - 0.065"x6"x50' CONSEAL CS212
- 1) JOINT WRAP PRIMER - CONSEAL CS-75 (1 gal.)
- 1) 48" - MH INVERT CHANNEL - FULL HEIGHT
- 2) 48" - Conseal CS-102 1.00" (Double)
- 1) PSX - 16Y NYLO
- 7) MH Step ML-10-TDS-NCR - 10"

- |  |   |
|--|---|
| <ul style="list-style-type: none"> <li>0 lb</li> <li>3200 lb</li> <li>1677 lb</li> <li>2921 lb</li> <li>0 lb</li> <li>0 lb</li> <li>1440 lb</li> <li>0 lb</li> <li>8 lb</li> <li>0 lb</li> </ul> | <p><b>Structure Notes:</b><br/>           STATION: 1+02 (US 79 NEAR 48+50)<br/>           1. HOE MC-315 F/C "Sanitary" PROVIDED BY ICAST.<br/>           2. PER ASTM C478 SPECIFICATIONS.<br/>           3. CONCRETE = 4,000 PSI AT 28 DAYS.<br/>           4. REINFORCING PER ASTM A615 (GRADE 60).<br/>           - CONE (As .12)<br/>           - RISER/WALLS (As .12)<br/>           - FLOOR (As .31) #5 BARS AT 12" C.C.E.W.</p> |
|--|---|

Structure Total: 9246 lb



48" - ECC CONE w/ 24" HOLE F/G - 42" - (P3)

Coating (Int): Coating (Ext):	Seam Up: Flat Seam Dn: Groove	Wall Thickness: 5"	Height (Ext): 42"	Weight (Net): 3200 lb Volume (Net): 0.5cu.yd
----------------------------------	----------------------------------	--------------------	-------------------	---