

Job Name: 25-3194B KYTC Todd Co Call 101 (251113)

Job Location: Guthrie, KY

Contractor: Scott & Ritter, Inc.

PC: Celina Goff

TECH: J. Horsley - A

Plant: 100



Structure ID: 0+59 (36+15 LT)

Spec: Sanitary

Type: SAN.MH (OPEN BTM)

Size: 48"

Rim: 542.35'

Invert: 530.1'

Rim to Invert: 12.25'

Sump: 0"

Floor (Top): 529.6'

Floor Height: 0"

Floor (Bot): 529.6'

Overall Height: 12.75'

Slack: 0"

Structure Notes:

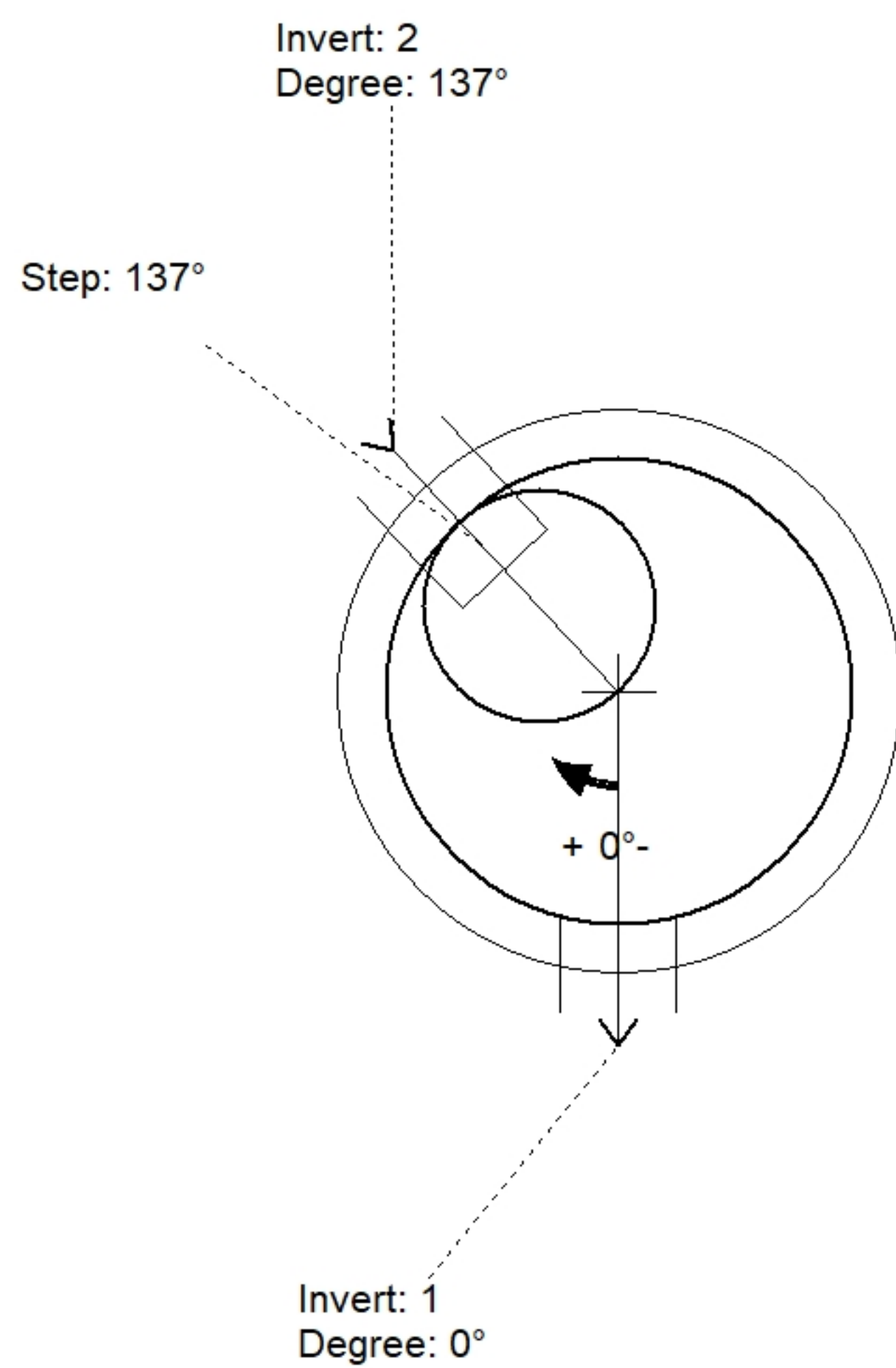
STATION: 0+59

1. HOE MC-315 F/C "Sanitary" PROVIDED BY ICAST.
 2. PER ASTM C478 SPECIFICATIONS.
 3. CONCRETE = 4,000 PSI AT 28 DAYS.
 4. REINFORCING PER ASTM A615 (GRADE 60).
- CONE (As .12)
 - RISER/WALLS (As .18)

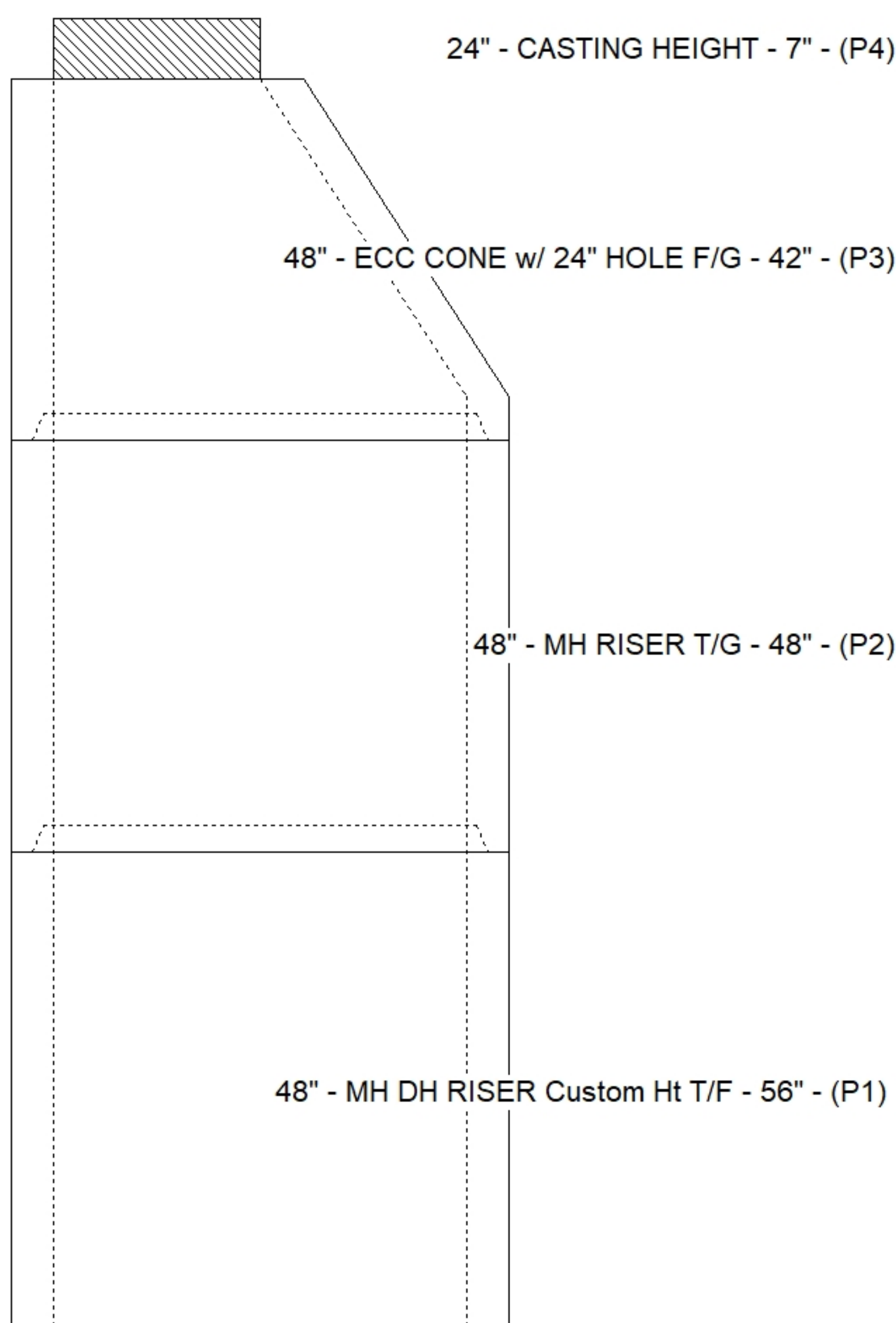
STRUCTURE SUMMARY:

- P4) 24" - CASTING HEIGHT - 7" 0 lb
- P3) 48" - ECC CONE w/ 24" HOLE F/G - 42" 3200 lb
- P2) 48" - MH RISER T/G - 48" 3353 lb
- P1) 48" - MH DH RISER Custom Ht T/F - 56" 3783 lb
- 1) JOINT WRAP - 0.065"x6"x50' CONSEAL CS212 0 lb
- 1) JOINT WRAP PRIMER - CONSEAL CS-75 (1 gal.) 0 lb
- 2) 48" - Conseal CS-102 1.00" (Double) 0 lb
- 1) PSX - 12-08 NYLO 8 lb
- 1) DOGHOUSE - 12"x12" 0 lb
- 13) MH Step ML-10-TDS-NCR - 10" 0 lb

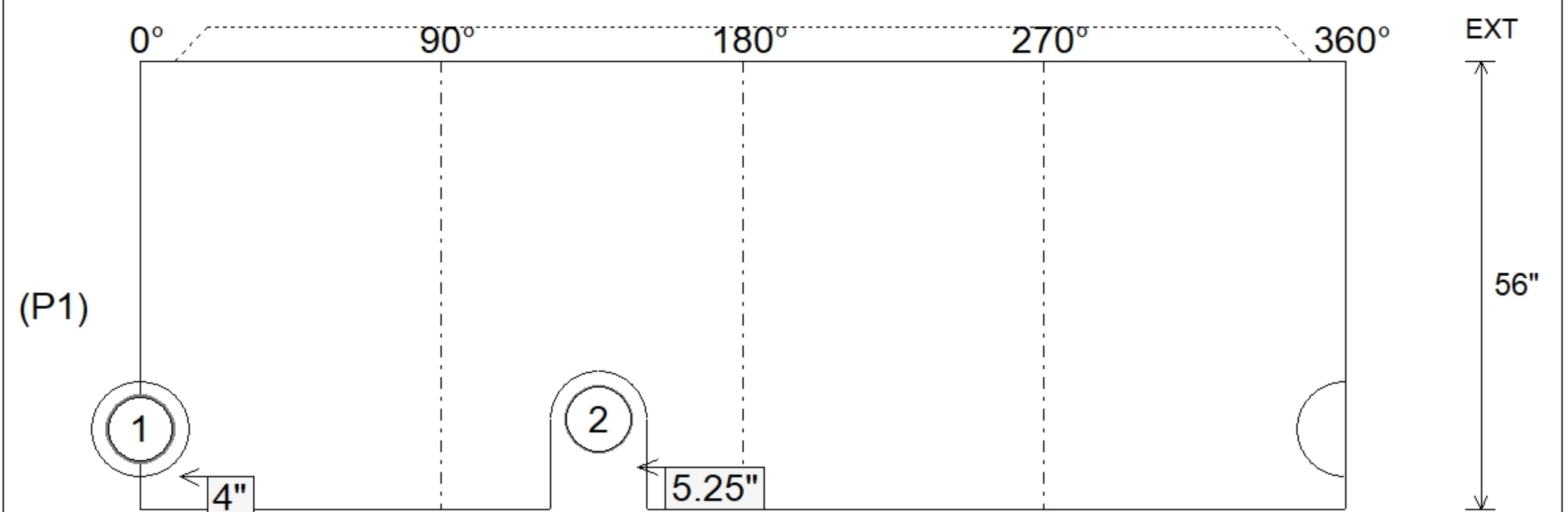
Structure Total: 10345 lb



Position	Elev	Angle	Pipe	Pipe OD	Hole	Connector	Up (")	Ref
Rim	542.35'							
Reducer								
Invert 1	530.1'	0°	8" PVC SDR35	8.5"	12"	PSX 12-08 NYLO	4"	P1
Invert 2	530.2'	137°	8" PVC SDR35	8.5"	12" x 12"	DOGHOUSE 12"x12"	5.25"	P1
Invert 3								
Invert 4								
Invert 5								
Invert 6								
Invert 7								
Invert 8								



Cast (Int. Dim.) - Interior Dimensions



Submittal Drawing
11/18/2025 1:17:47 PM

SUBMITTAL
APPROVED BY: