

Structure ID: 0+59 (36+15 LT)

P1 MH048DHVF

MH DH RISER Custom Ht T/F

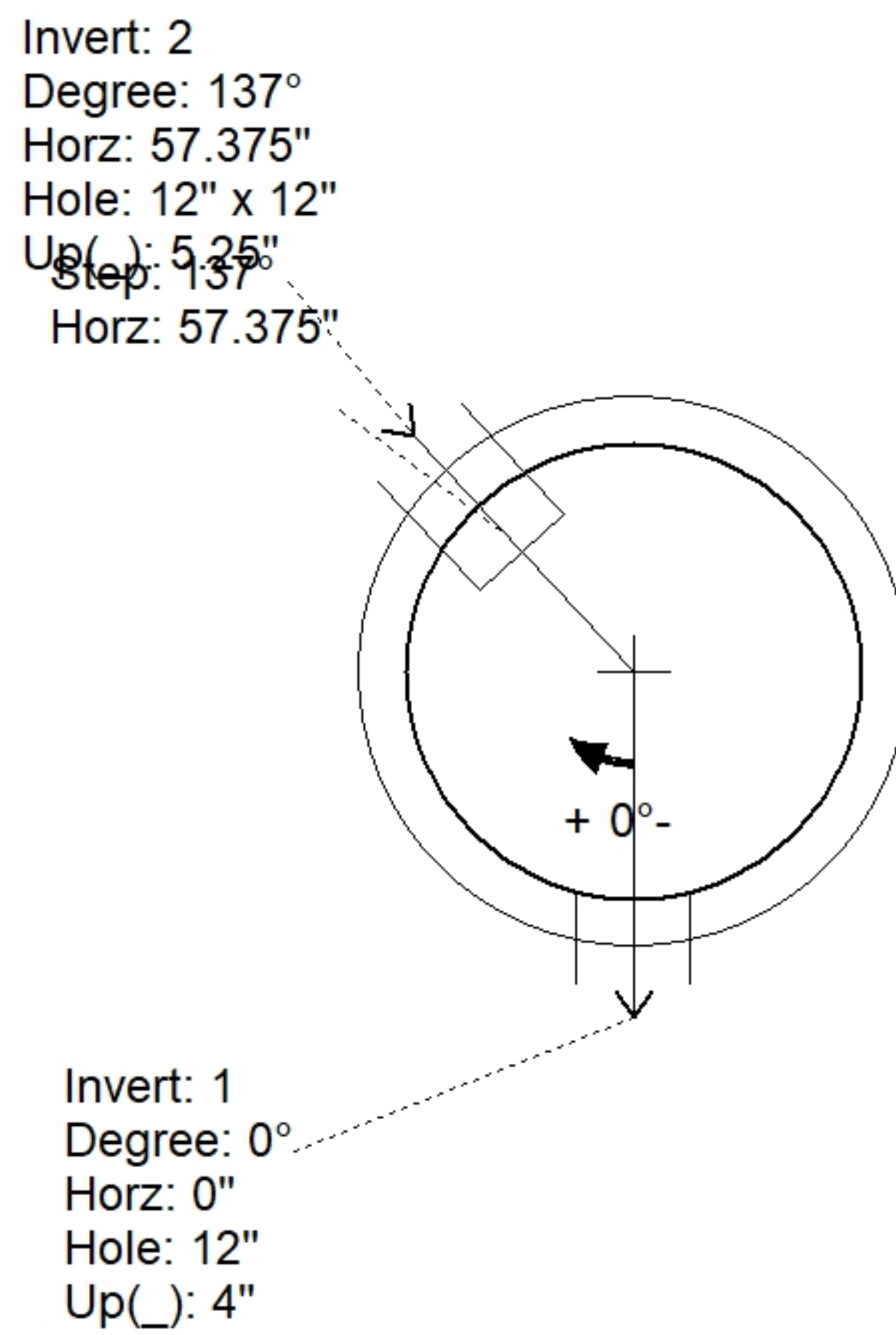
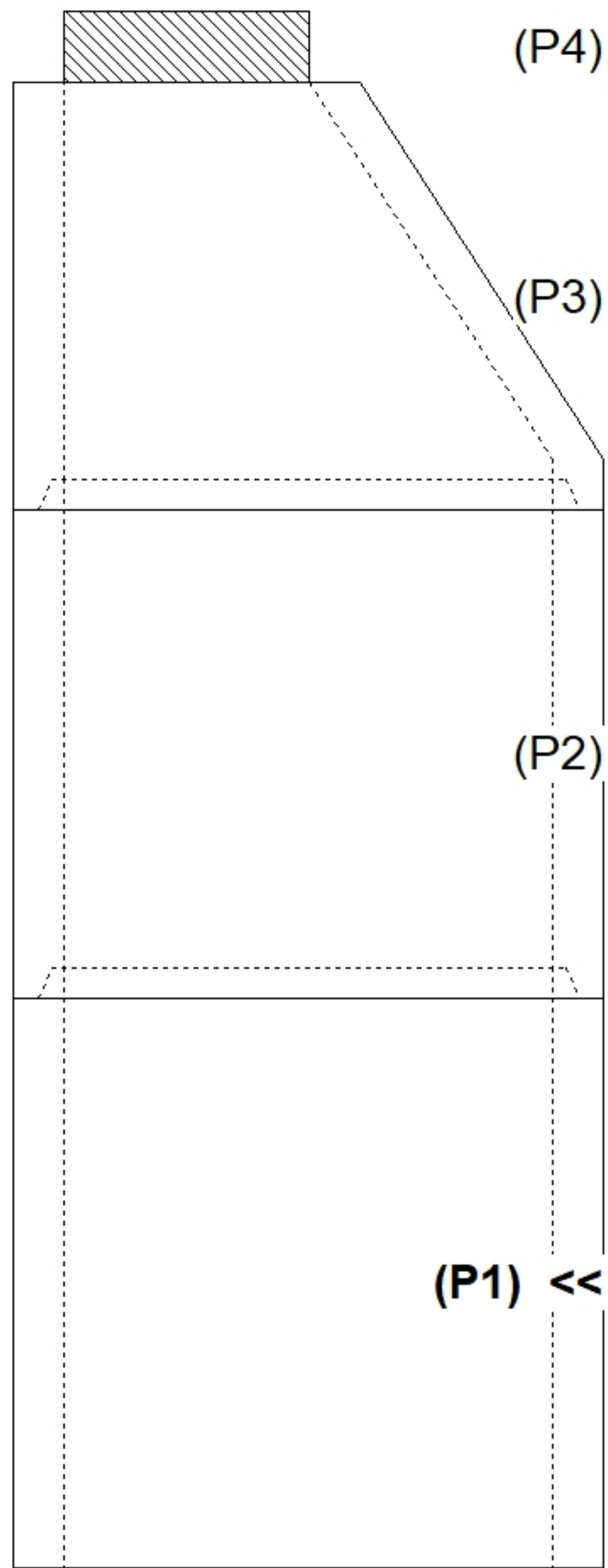
P4) 24" - CASTING HEIGHT - 7" P3) 48" - ECC CONE w/ 24" HOLE F/G - 42" P2) 48" - MH RISER T/G - 48" P1) 48" - MH DH RISER Custom Ht T/F - 56" 1) JOINT WRAP - 0.065"x6"x50' CONSEAL CS212 1) JOINT WRAP PRIMER - CONSEAL CS-75 (1 gal.) 2) 48" - Conseal CS-102 1.00" (Double) 1) PSX - 12-08 NYLO 1) DOGHOUSE - 12"x12" 13) MH Step ML-10-TDS-NCR - 10"	0 lb 3200 lb 3353 lb 3783 lb 0 lb 0 lb 0 lb 0 lb 8 lb 0 lb 0 lb ----- Structure Total: 10345 lb
---	---

Structure Notes:
 STATION: 0+59
 1. HOE MC-315 F/C "Sanitary" PROVIDED BY ICAST.
 2. PER ASTM C478 SPECIFICATIONS.
 3. CONCRETE = 4,000 PSI AT 28 DAYS.
 4. REINFORCING PER ASTM A615 (GRADE 60).
 - CONE (As .12)
 - RISER/WALLS (As .18)

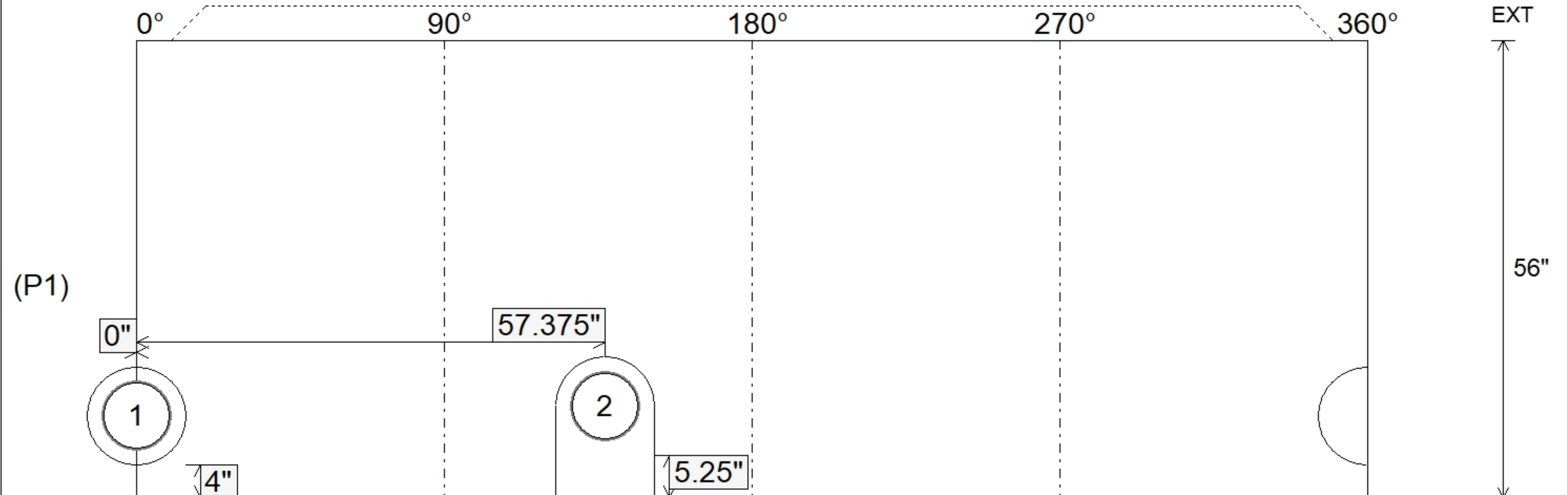
Rim: 542.35' Rim to Invert: 12.25' Slack: 0" Sump: 0" Step Position: 0°

Position	Elev	Angle	Ext. (cw)	Pipe	Pipe OD	Connector	Hole	Horz Size	Up ()	Offset
Invert 1	530.1'	0°	0"	8" PVC SDR35	8.5"	PSX 12-08 NYLO	12"	12.129"	4"	0"
Invert 2	530.2'	137°	69.375"	8" PVC SDR35	8.5"	DOGHOUSE 12"x12"	12" x 12"	12.129"	5.25"	0"
Invert 3										
Invert 4										
Invert 5										
Invert 6										
Invert 7										
Invert 8										

RIGHT-SIDE UP VIEW (int. dimensions)



INSIDE WALL DIMENSIONS



Coating (Int): Coating (Ext):	Seam Up: Tongue Seam Dn: Flat	Wall Thickness: 5" Floor Height: 0"	Height (Int): 56" Height (Ext): 56"	Weight (Net): 3783 lb Volume (Net): 0.97cu.yd
----------------------------------	----------------------------------	--	--	--