

Job Name: 25-3194B KYTC Todd Co Call 101 (251113)

Job Location: Guthrie, KY

Contractor: Scott & Ritter, Inc.

PC: Celina Goff

TECH: J. Horsley - A

Plant: 100



Structure ID: 0+40 (62+75 LT)

Spec: Sanitary
Type: SAN.MH
Size: 48"

Rim: 550.13'
Invert: 541.13'
Rim to Invert: 9'

Sump: 2"
Floor (Top): 540.963'
Floor Height: 6"

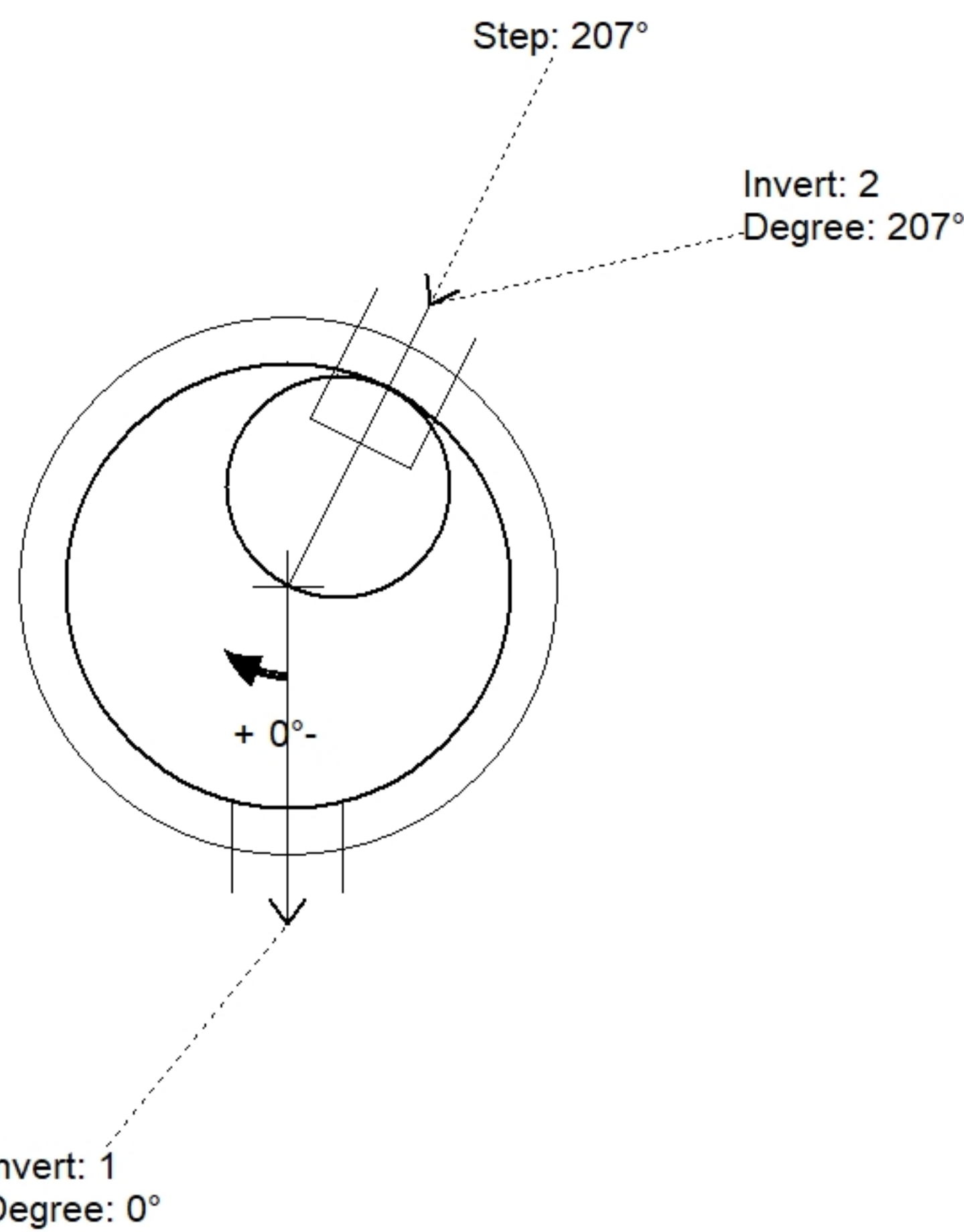
Floor (Bot): 540.463'
Overall Height: 9.583'
Slack: 1"

Structure Notes:

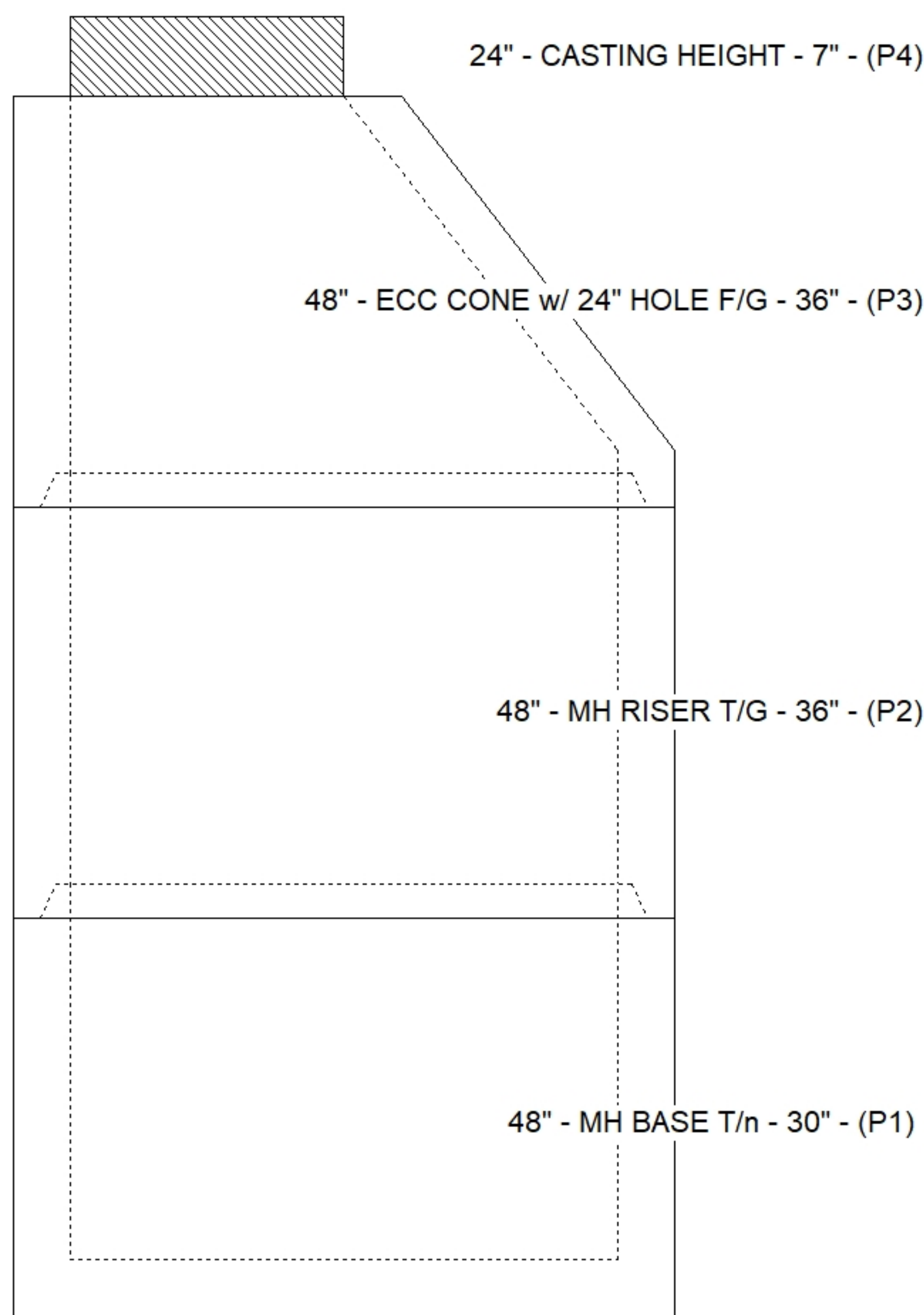
- STATION: 0+40 (US 79 NEAR 62+50)
- 1. HOE MC-315 F/C "Sanitary" PROVIDED BY ICAST.
- 2. PER ASTM C478 SPECIFICATIONS.
- 3. CONCRETE = 4,000 PSI AT 28 DAYS.
- 4. REINFORCING PER ASTM A615 (GRADE 60).
- CONE (As .12)
- RISER/WALLS (As .12)
- FLOOR (As .31) #5 BARS AT 12" C.C.E.W.

STRUCTURE SUMMARY:

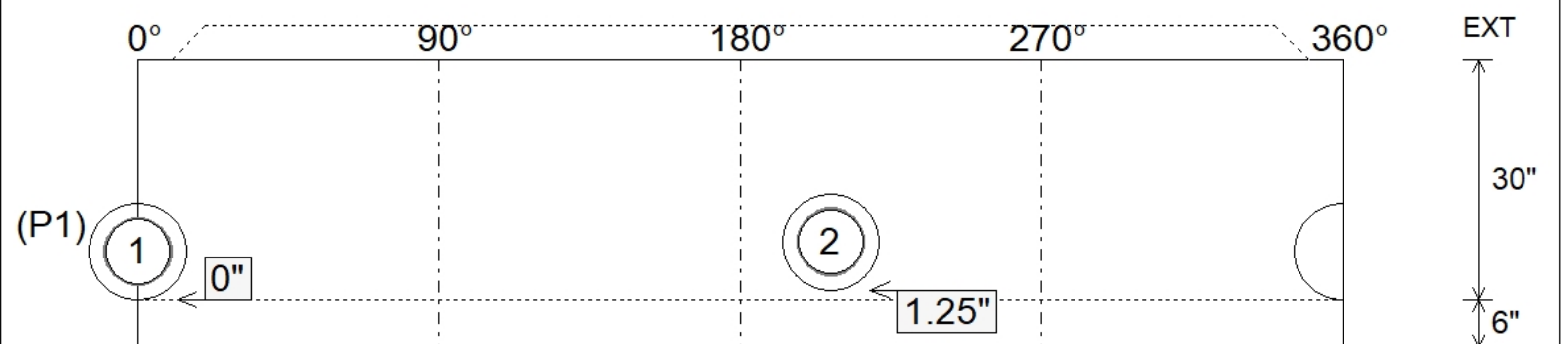
P4) 24" - CASTING HEIGHT - 7"	0 lb
P3) 48" - ECC CONE w/ 24" HOLE F/G - 36"	3000 lb
P2) 48" - MH RISER T/G - 36"	2515 lb
P1) 48" - MH BASE T/n - 30"	3330 lb
1) JOINT WRAP - 0.065"x6"x50' CONSEAL CS212	0 lb
1) JOINT WRAP PRIMER - CONSEAL CS-75 (1 gal.)	0 lb
1) 48" - MH INVERT CHANNEL - FULL HEIGHT	1440 lb
2) 48" - Conseal CS-102 1.00" (Double)	0 lb
2) PSX - 12-08 NYLO	16 lb
8) MH Step ML-10-TDS-NCR - 10"	0 lb
Structure Total:	10301 lb



Position	Elev	Angle	Pipe	Pipe OD	Hole	Connector	Up (")	Ref
Rim	550.13'							
Reducer								
Invert 1	541.13'	0°	8" PVC SDR35	8.5"	12"	PSX 12-08 NYLO	0"	P1
Invert 2	541.23'	207°	8" PVC SDR35	8.5"	12"	PSX 12-08 NYLO	1.25"	P1
Invert 3								
Invert 4								
Invert 5								
Invert 6								
Invert 7								
Invert 8								



Cast (Int. Dim.) - Interior Dimensions



Submittal Drawing
11/18/2025 1:17:48 PM

SUBMITTAL
APPROVED BY: