

Job Name: 25-3194B KYTC Todd Co Call 101 (251113)  
 Job Location: Guthrie, KY  
 Contractor: Scott & Ritter, Inc.

Plant: 100  
 11/17/2025 1:49:28 PM

Tech: J. Horsley - A  
 PC: Celina Goff



**Structure ID: 0+40 (62+75 LT)**

**P2 MH048RS36**

**MH RISER T/G**

- P4) 24" - CASTING HEIGHT - 7"
- P3) 48" - ECC CONE w/ 24" HOLE F/G - 36"
- P2) 48" - MH RISER T/G - 36"
- P1) 48" - MH BASE T/n - 30"
- 1) JOINT WRAP - 0.065"x6"x50' CONSEAL CS212
- 1) JOINT WRAP PRIMER - CONSEAL CS-75 (1 gal.)
- 1) 48" - MH INVERT CHANNEL - FULL HEIGHT
- 2) 48" - Conseal CS-102 1.00" (Double)
- 2) PSX - 12-08 NYLO
- 8) MH Step ML-10-TDS-NCR - 10"

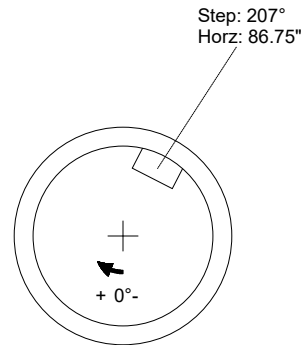
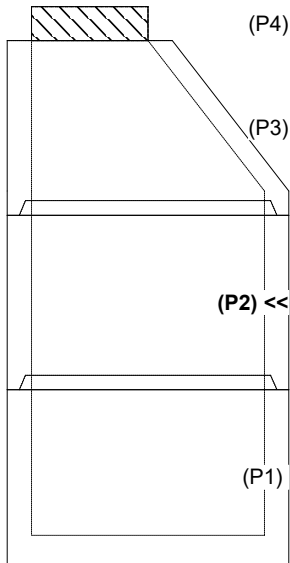
- Structure Notes:
- STATION: 0+40 (US 79 NEAR 62+50)
  - 1. HOE MC-315 F/C "Sanitary" PROVIDED BY ICAST.
  - 2. PER ASTM C478 SPECIFICATIONS.
  - 3. CONCRETE = 4,000 PSI AT 28 DAYS.
  - 4. REINFORCING PER ASTM A615 (GRADE 60).
  - CONE (As .12)
  - RISER/WALLS (As .12)
  - FLOOR (As .31) #5 BARS AT 12" C.C.E.W.

Structure Total: 10301 lb

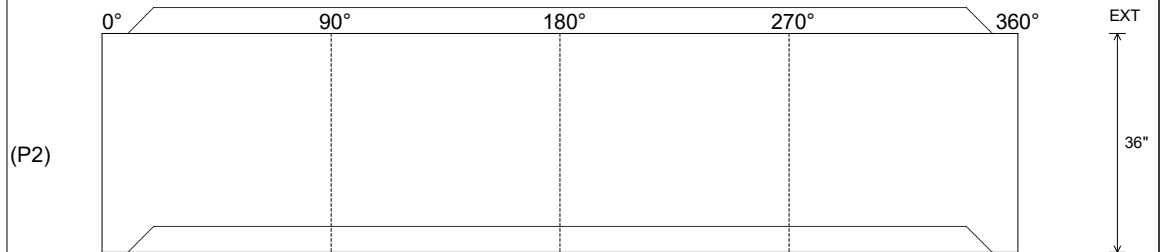
Rim: 550.13' Rim to Invert: 9' Slack: 1" Sump: 2" Step Position: 0°

Position	Elev	Angle	Ext. (cw)	Pipe	Pipe OD	Connector	Hole	Horz Size	Up ( )	Offset
Invert 1										
Invert 2										
Invert 3										
Invert 4										
Invert 5										
Invert 6										
Invert 7										
Invert 8										

**RIGHT-SIDE UP VIEW (int. dimensions)**



**INSIDE WALL DIMENSIONS**



Coating (Int):	Seam Up: Tongue	Wall Thickness: 5"	Height (Int): 36"	Weight (Net): 2515 lb
Coating (Ext):	Seam Dn: Groove	Floor Height: 0"	Height (Ext): 36"	Volume (Net): 0.64cu.yd