

Job Name: 25-3194B KYTC Todd Co Call 101 (251113)
 Job Location: Guthrie, KY
 Contractor: Scott & Ritter, Inc.

Plant: 100
 11/17/2025 1:49:04 PM

Tech: J. Horsley - A
 PC: Celina Goff



Structure ID: 0+40 (29+25 LT)

P2 MH048CN42

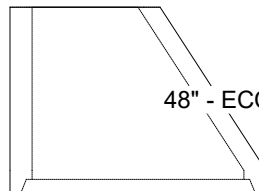
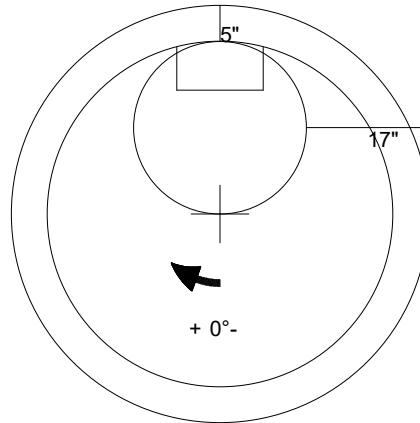
ECC CONE w/ 24" HOLE F/G

- P3) 24" - CASTING HEIGHT - 7"
- P2) 48" - ECC CONE w/ 24" HOLE F/G - 42"
- P1) 48" - MH BASE T/n - 42"
- 1) JOINT WRAP - 0.065"x6"x50' CONSEAL CS212
- 1) JOINT WRAP PRIMER - CONSEAL CS-75 (1 gal.)
- 1) 48" - MH INVERT CHANNEL - FULL HEIGHT
- 1) 48" - Conseal CS-102 1.00" (Double)
- 4) PSX - 12-08 NYLO
- 7) MH Step ML-10-TDS-NCR - 10"

0 lb
 3200 lb
 4073 lb
 0 lb
 0 lb
 1440 lb
 0 lb
 32 lb
 0 lb

 Structure Total: 8745 lb

Structure Notes:
 STATION: 0+40 (US 79 NEAR 25+50)
 1. HOE MC-315 F/C "Sanitary" PROVIDED BY ICAST.
 2. PER ASTM C478 SPECIFICATIONS.
 3. CONCRETE = 4,000 PSI AT 28 DAYS.
 4. REINFORCING PER ASTM A615 (GRADE 60).
 - CONE (As .12)
 - RISER/WALLS (As .12)
 - FLOOR (As .31) #5 BARS AT 12" C.C.E.W.



48" - ECC CONE w/ 24" HOLE F/G - 42" - (P2)

Coating (Int):
 Coating (Ext):

Seam Up: Flat
 Seam Dn: Groove

Wall Thickness: 5"

Height (Ext): 42"

Weight (Net): 3200 lb
 Volume (Net): 0.5cu.yd