

**Job Name: 25-3194B KYTC Todd Co Call 101 (251113)**

**Job Location: Guthrie, KY**

**Contractor: Scott & Ritter, Inc.**

PC: Celina Goff

TECH: J. Horsley - A

Plant: 100



Structure ID: **0+36 (35+75 LT)**

Spec: Sanitary  
Type: SAN.MH  
Size: 48"

Rim: 541.66'  
Invert: 529.16'  
Rim to Invert: 12.5'

Sump: 2"  
Floor (Top): 528.993'  
Floor Height: 6"

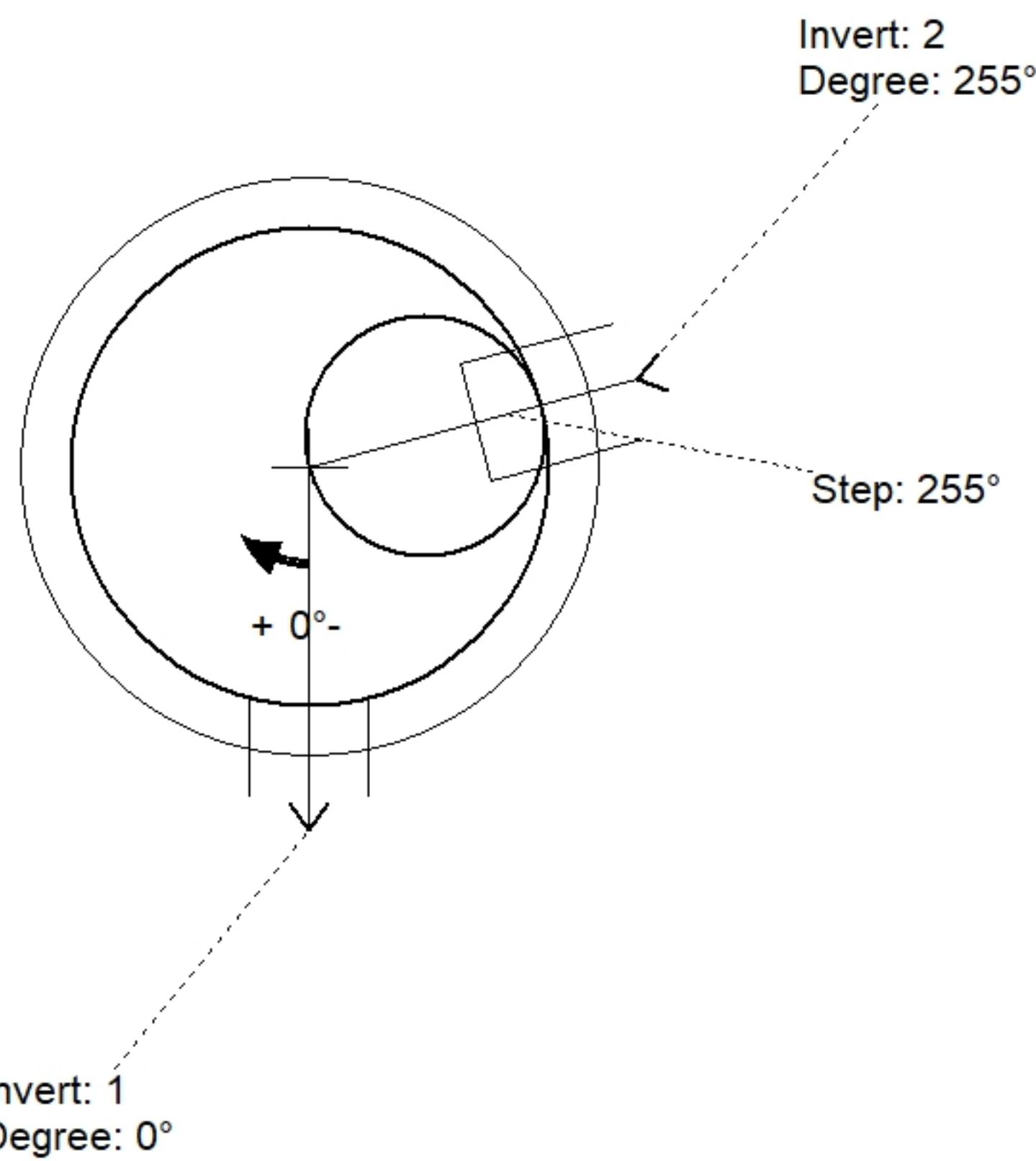
Floor (Bot): 528.493'  
Overall Height: 13.083'  
Slack: 1"

Structure Notes: STATION: 0+36 (US 79 NEAR 36+00)

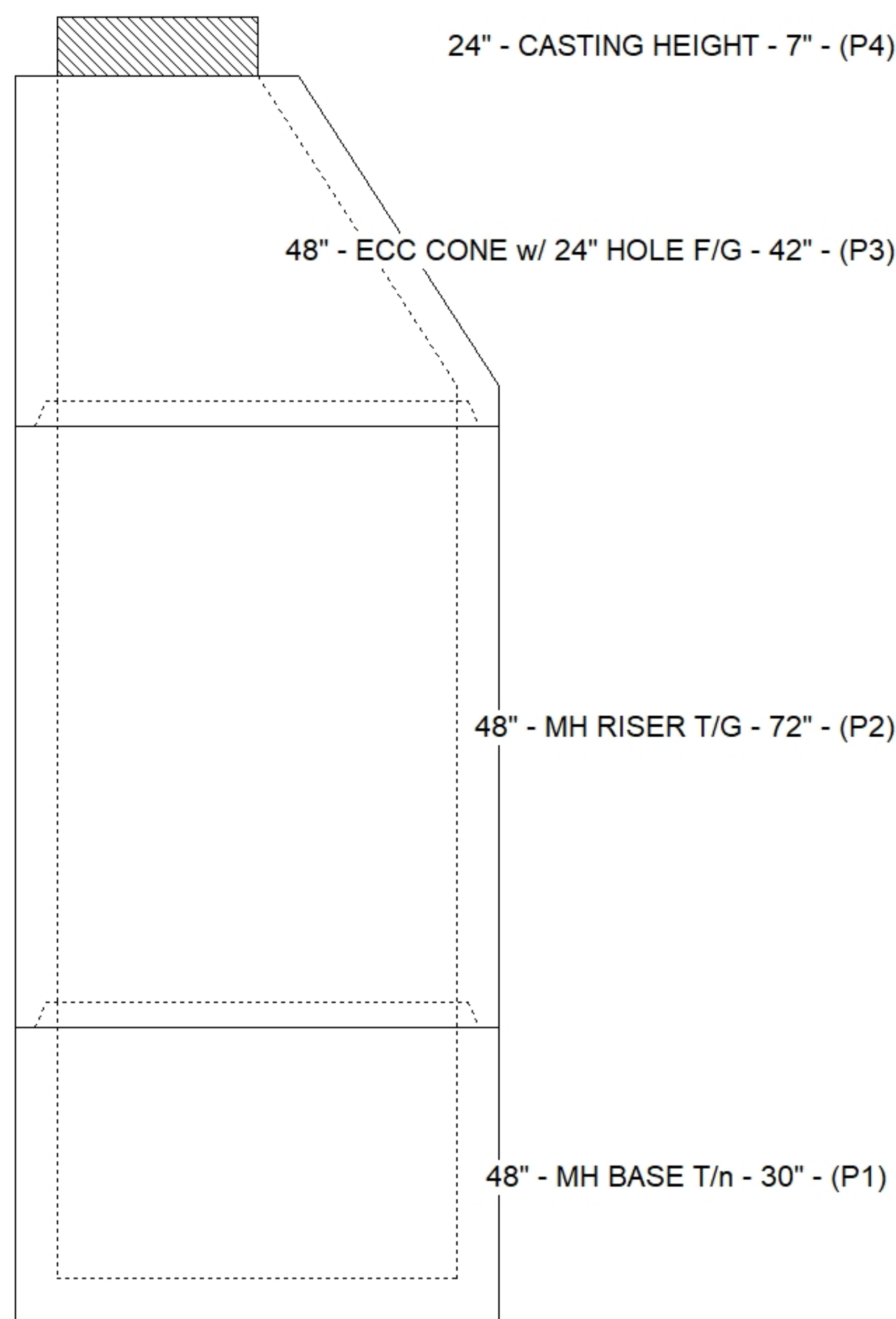
1. HOE MC-315 F/C "Sanitary" PROVIDED BY ICAST.
  2. PER ASTM C478 SPECIFICATIONS.
  3. CONCRETE = 4,000 PSI AT 28 DAYS.
  4. REINFORCING PER ASTM A615 (GRADE 60).
- CONE (As .12)
  - RISER/WALLS (As .12)
  - FLOOR (As .31) #5 BARS AT 12" C.C.E.W.

STRUCTURE SUMMARY:

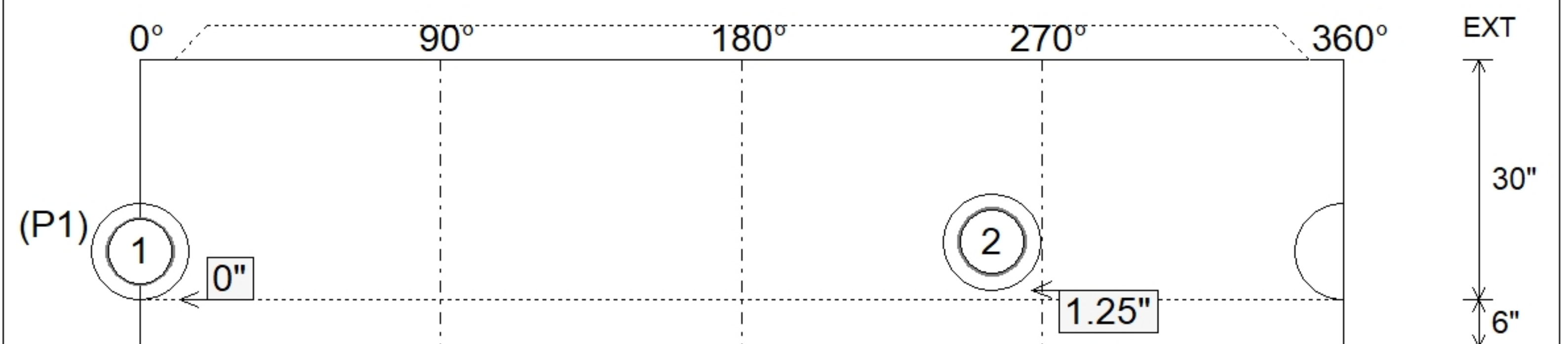
P4) 24" - CASTING HEIGHT - 7"	0 lb
P3) 48" - ECC CONE w/ 24" HOLE F/G - 42"	3200 lb
P2) 48" - MH RISER T/G - 72"	5030 lb
P1) 48" - MH BASE T/n - 30"	3330 lb
1) JOINT WRAP - 0.065"x6"x50' CONSEAL CS212	0 lb
1) JOINT WRAP PRIMER - CONSEAL CS-75 (1 gal.)	0 lb
1) 48" - MH INVERT CHANNEL - FULL HEIGHT	1440 lb
2) 48" - Conseal CS-102 1.00" (Double)	0 lb
2) PSX - 12-08 NYLO	16 lb
12) MH Step ML-10-TDS-NCR - 10"	0 lb
<b>Structure Total:</b>	<b>13016 lb</b>



Position	Elev	Angle	Pipe	Pipe OD	Hole	Connector	Up (")	Ref
Rim	541.66'							
Reducer								
Invert 1	529.16'	0°	8" PVC SDR35	8.5"	12"	PSX 12-08 NYLO	0"	P1
Invert 2	529.26'	255°	8" PVC SDR35	8.5"	12"	PSX 12-08 NYLO	1.25"	P1
Invert 3								
Invert 4								
Invert 5								
Invert 6								
Invert 7								
Invert 8								



Cast (Int. Dim.) - Interior Dimensions



Submittal Drawing  
11/18/2025 1:17:47 PM

SUBMITTAL  
APPROVED BY: