

Job Name: 25-3194B KYTC Todd Co Call 101 (251113)
 Job Location: Guthrie, KY
 Contractor: Scott & Ritter, Inc.

Plant: 100
 11/17/2025 1:49:03 PM

Tech: J. Horsley - A
 PC: Celina Goff



Structure ID: 0+36 (35+75 LT)

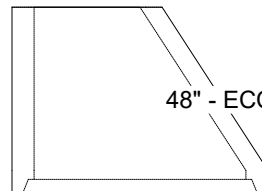
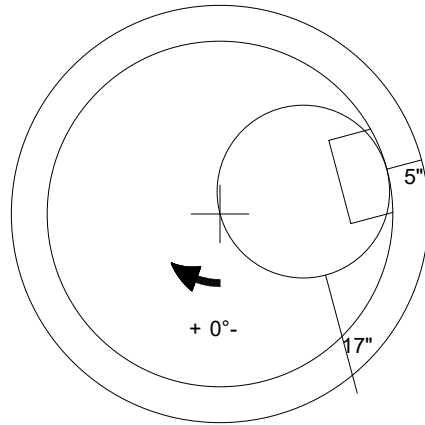
P3 MH048CN42

ECC CONE w/ 24" HOLE F/G

- P4) 24" - CASTING HEIGHT - 7"
- P3) 48" - ECC CONE w/ 24" HOLE F/G - 42"
- P2) 48" - MH RISER T/G - 72"
- P1) 48" - MH BASE T/n - 30"
- 1) JOINT WRAP - 0.065"x6"x50' CONSEAL CS212
- 1) JOINT WRAP PRIMER - CONSEAL CS-75 (1 gal.)
- 1) 48" - MH INVERT CHANNEL - FULL HEIGHT
- 2) 48" - Conseal CS-102 1.00" (Double)
- 2) PSX - 12-08 NYLO
- 12) MH Step ML-10-TDS-NCR - 10"

- 0 lb
 - 3200 lb
 - 5030 lb
 - 3330 lb
 - 0 lb
 - 0 lb
 - 1440 lb
 - 0 lb
 - 16 lb
 - 0 lb
- Structure Notes:** STATION: 0+36 (US 79 NEAR 36+00)
1. HOE MC-315 F/C "Sanitary" PROVIDED BY ICAST.
 2. PER ASTM C478 SPECIFICATIONS.
 3. CONCRETE = 4,000 PSI AT 28 DAYS.
 4. REINFORCING PER ASTM A615 (GRADE 60).
 - CONE (As .12)
 - RISER/WALLS (As .12)
 - FLOOR (As .31) #5 BARS AT 12" C.C.E.W.

Structure Total: 13016 lb



48" - ECC CONE w/ 24" HOLE F/G - 42" - (P3)

Coating (Int): Coating (Ext):	Seam Up: Flat Seam Dn: Groove	Wall Thickness: 5"	Height (Ext): 42"	Weight (Net): 3200 lb Volume (Net): 0.5cu.yd
----------------------------------	----------------------------------	--------------------	-------------------	---