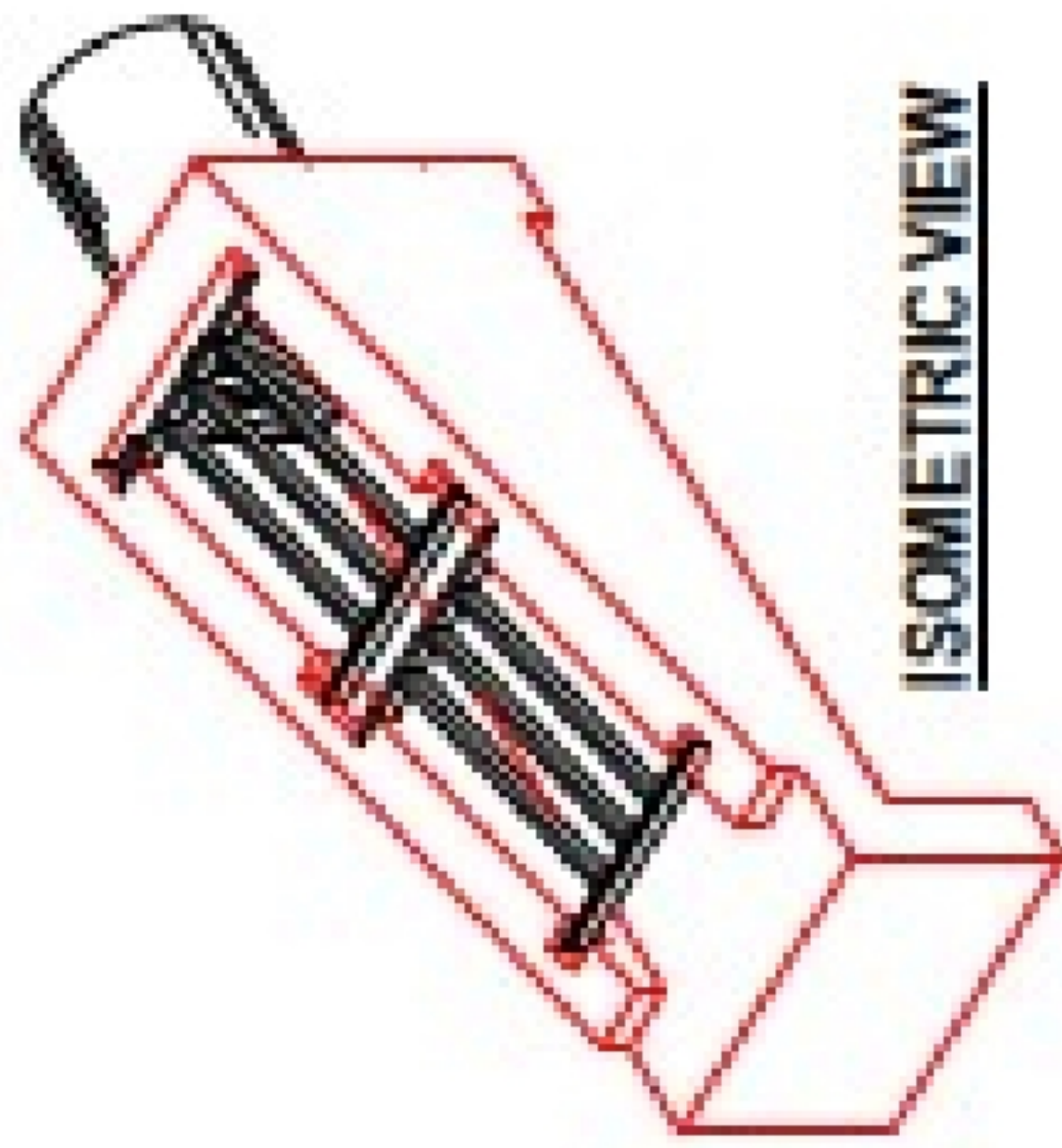




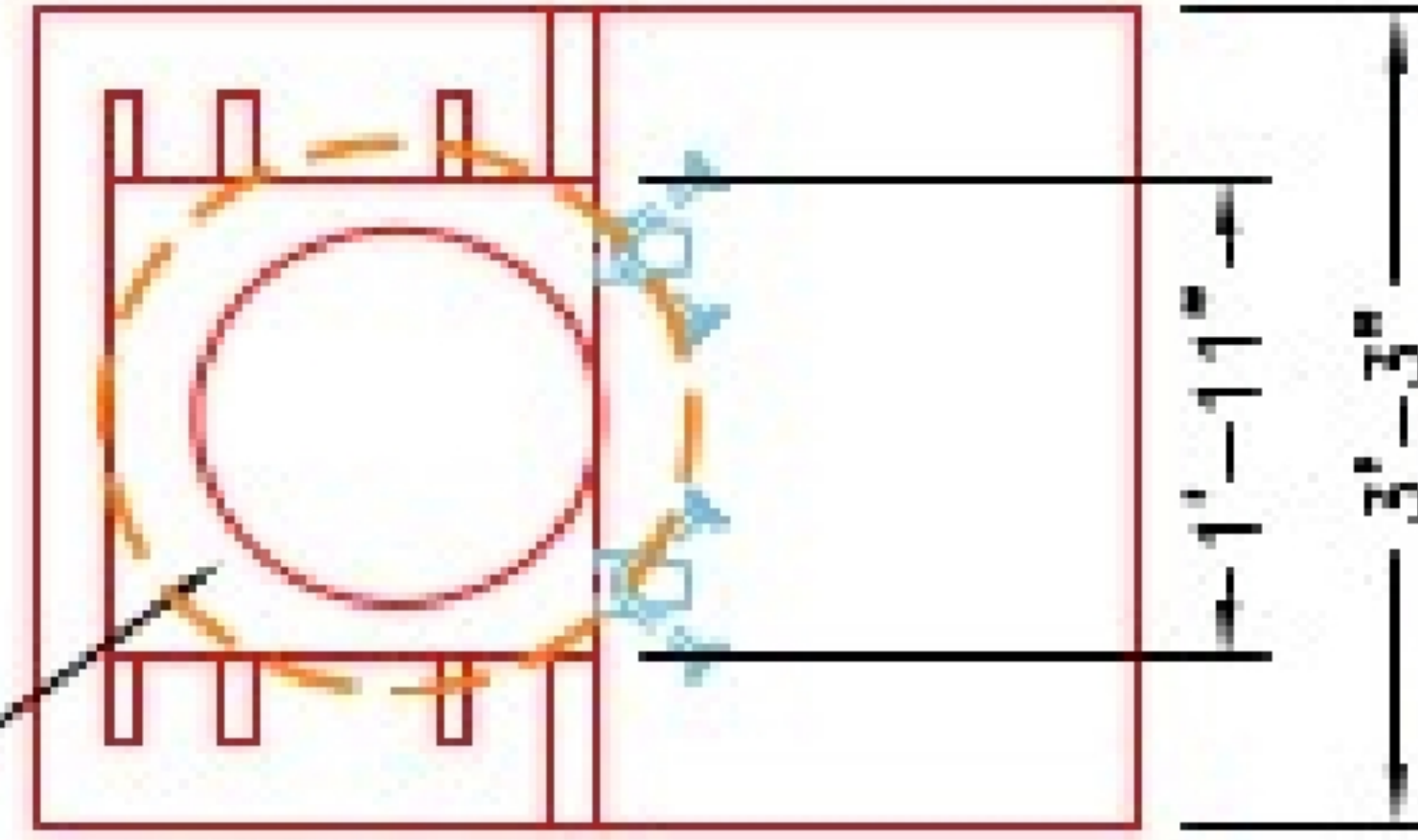
**Structure ID: ICAST LI4**

**P1 HWSBO18**

**18" - SLOPED BOX OUTLET TYPE 1 F/F**

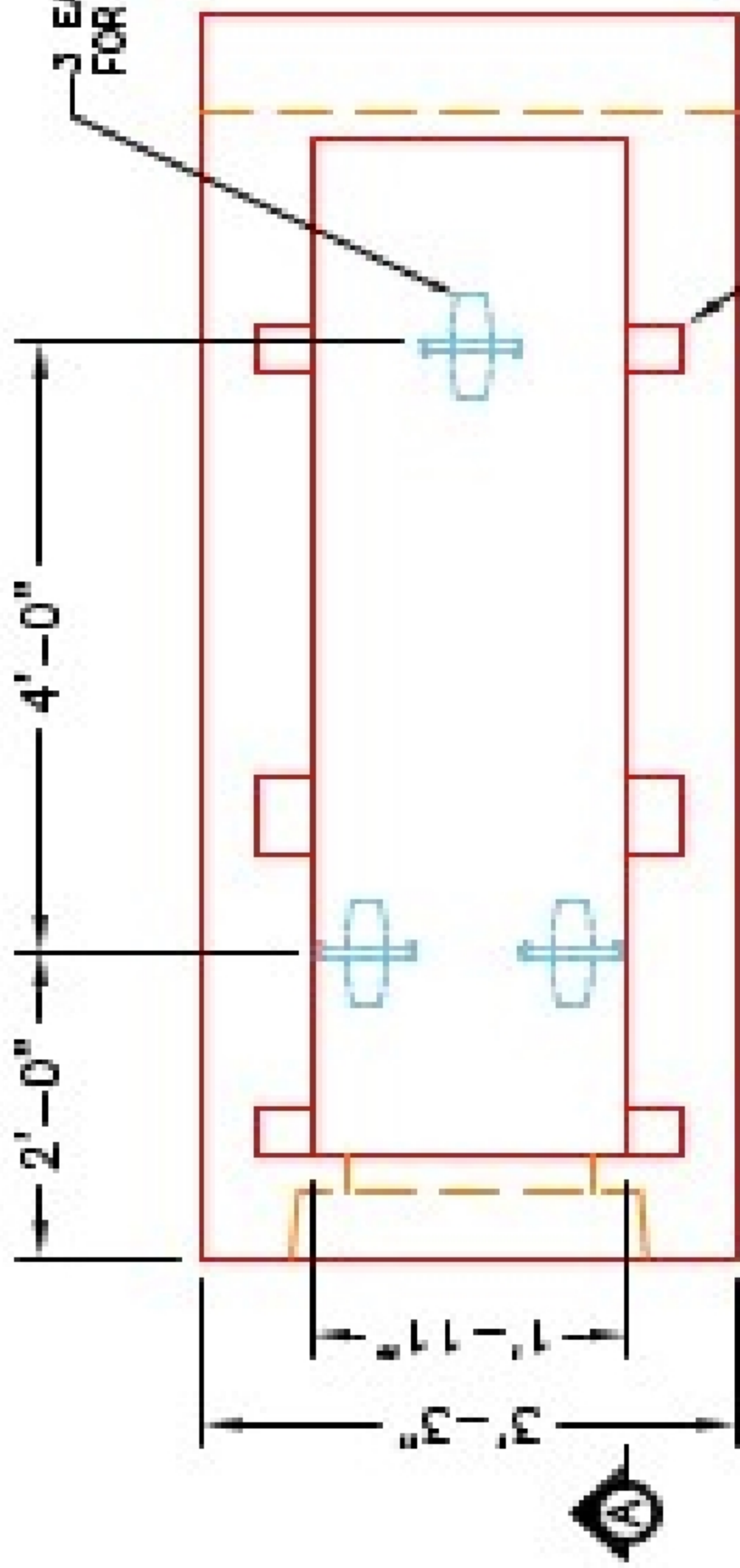


ISOMETRIC VIEW



FRONT ELEVATION

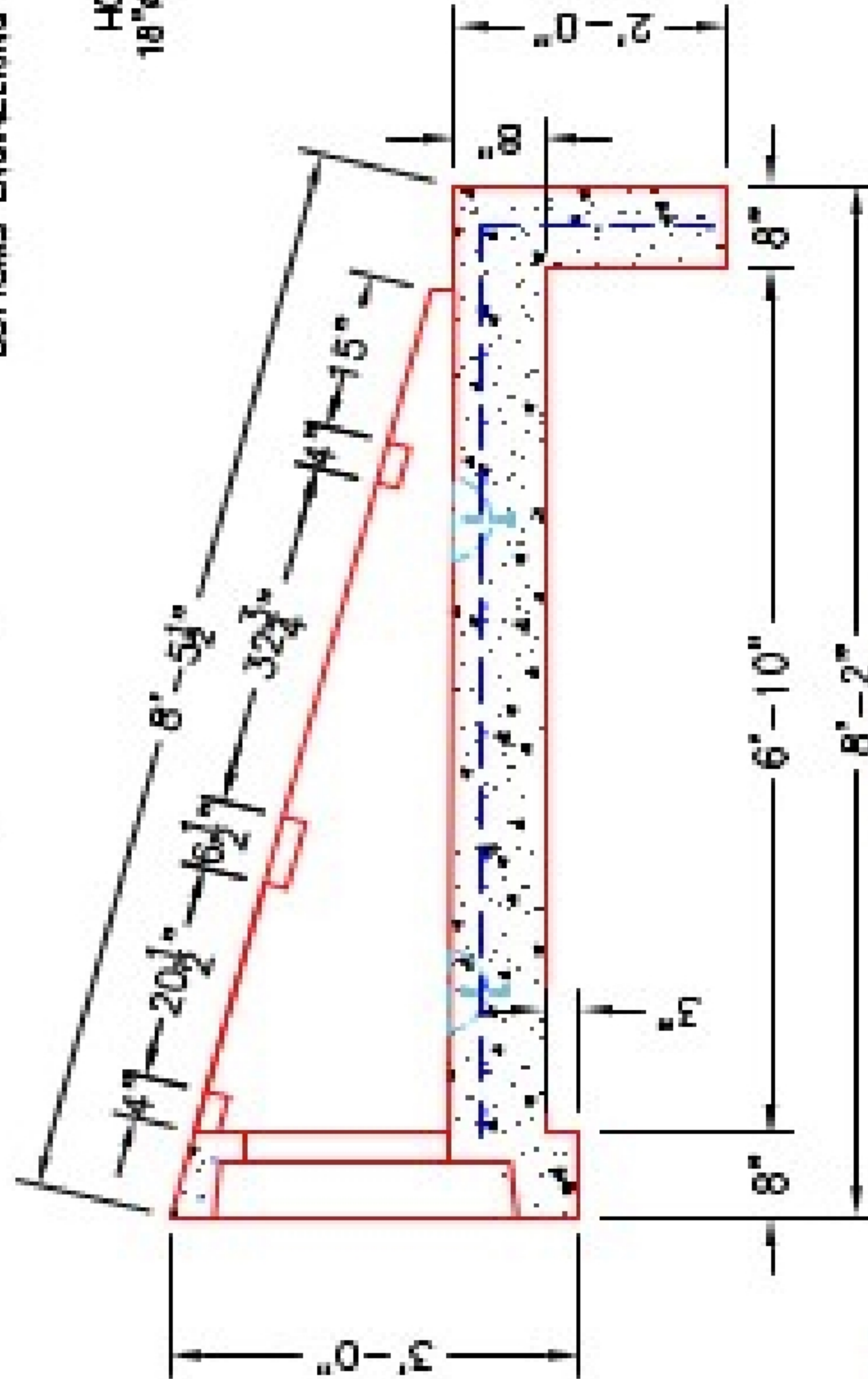
3 EA. CONAC 4CA14 ANCHORS FOR PLANT & FELD HANDLING.



PLAN VIEW

SLOTS AS REQUIRED FOR STRUCTURAL STEEL GRATES (NOT SHOWN) AS SUPPLIED BY BOTTOMS ENGINEERING OR J.R. HOE & SONS.

18" TO 26" STEPPED HOLE FORMER FOR 18" PIPE 18" TO BE FLUSH WITH FLOOR.



SECTION A-A

**NOTES:**

1. CONCRETE, KYTC APPROVED.
2. REINFORCING: #6 BAR @ 12" C/C E.W. - GRADE 60 (WITH 2" CONCRETE COVER MINIMUM)
3. REINFORCING BARS TO BE TACK WELDED OR TIED.
4. PIPE AND LIFTING ANCHOR POCKETS TO BE CRUISED WITH KYTC APPROVED NON-SHRINK GROUT.
5. DRAWING TO BE USED IN CONJUNCTION WITH KYTC STD. DRAWINGS FOR 18" - 100' & FOR 18" - 100' AND THE STANDARD SPECIFICATIONS FOR ROAD AND BRIDGE CONSTRUCTION.
6. 2" CHAMFER ON ALL EXPOSED EDGES.
7. PREFORMED STEPPED HOLE SIZED AS PER O.D. OF PIPE + 3" - 4".

**PRODUCTION WORK ORDER**

DESCRIPTION: KYTC 18" SLOPED BOX OUTLET TYPE 1	PRODUCT I.D.: HWSBO18
CUSTOMER: ??	PRODUCT VIEW: RIGHT SIDE UP
PROJECT: ??	PLANT: BEAVER DAM, KY.
STRUCTURE ID: ??	WEIGHT: 4,900 LBS.
QUOTE/SALES ORDER NO: ??	TOP SECTION JOINT: N/A
P.C.: T. SEKULA	BASE SECTION JOINT: N/A
DATE: 11/11/22	QC CHECK INITIALS:
SCALE: NTS	
PG. 1 of 1	

QUALITY CONTROL CHECKLIST
<input type="checkbox"/> ALL DIMENSIONS CORRECT.
<input type="checkbox"/> LIFTERS INSTALLED.
<input type="checkbox"/> STEPPED IF CORRECT SIZE.
<input type="checkbox"/> REINFORCING CORRECT.
<input type="checkbox"/> SLOTS INSTALLED FOR GRATES.
<input type="checkbox"/> EDGES CHAMFERED.
<input type="checkbox"/> ALL PATCHWORK ACCEPTABLE.

