

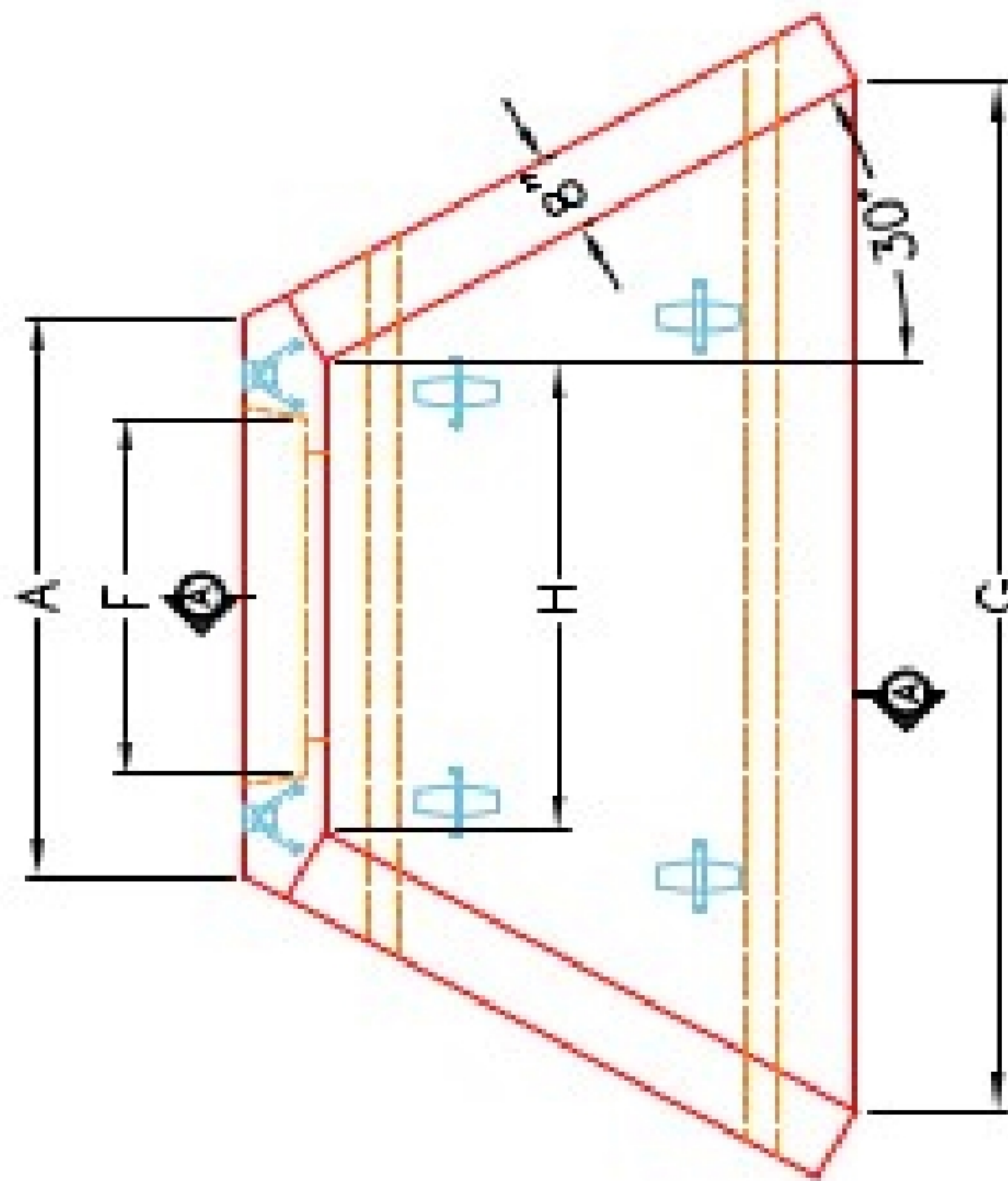


Structure ID: ICAST LI3

P1 HWPC42

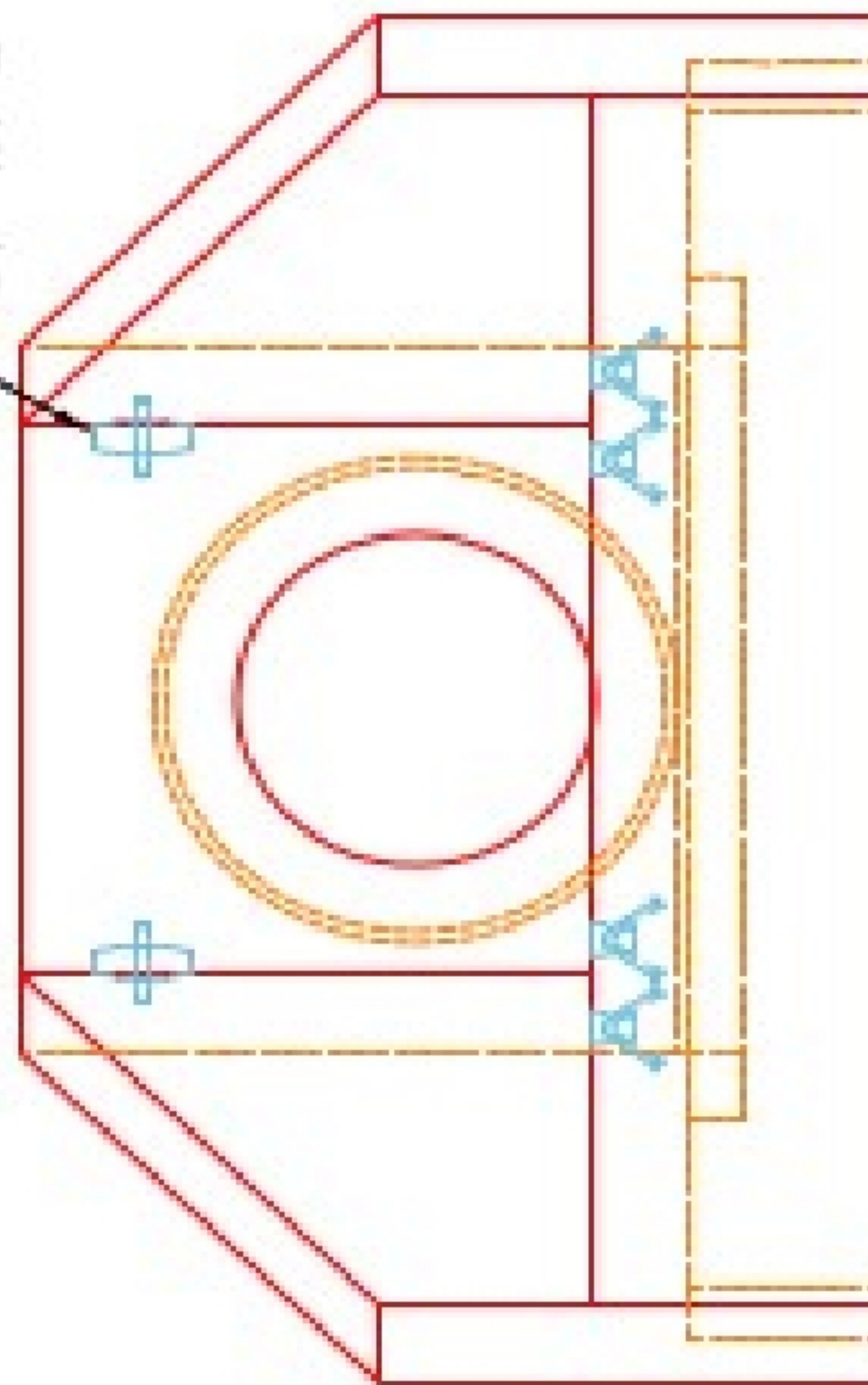
42" - PIPE CULVERT HEADWALL F/F

DIMENSIONS									
PIPE Ø	A	B	C	D	E	F	G	H	WEIGHT
36"	6'-4"	6'-4"	6'-0"	1'-4"	5'-0"	1'-6"	11'-8"	3'-4"	11,230 lbs.
36"	6'-4"	6'-4"	6'-0"	1'-4"	5'-0"	1'-0"	11'-8"	3'-4"	11,230 lbs.
42"	6'-4"	6'-7"	5'-5"	2'-4"	6'-2"	1'-6"	11'-8"	4'-11"	13,230 lbs.
42"	6'-4"	6'-7"	5'-5"	2'-4"	6'-2"	5'-2"	11'-8"	4'-11"	13,230 lbs.
54"	7'-4"	7'-8"	6'-6"	2'-4"	7'-4"	5'-8"	10'-8"	6'-0"	18,422 lbs.
60"	7'-4"	7'-8"	6'-6"	2'-4"	7'-4"	6'-4"	10'-8"	6'-0"	18,422 lbs.

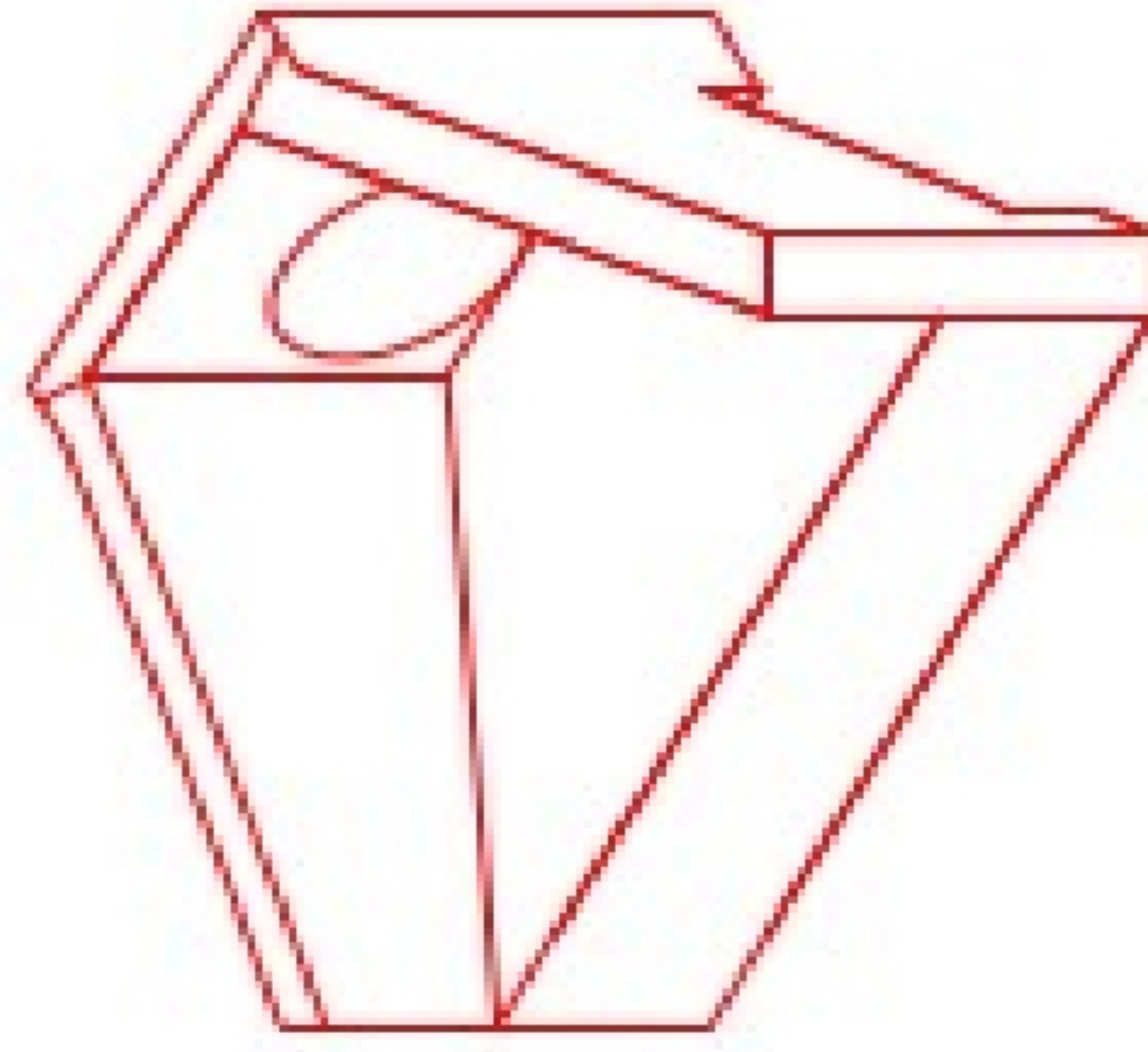


PLAN VIEW

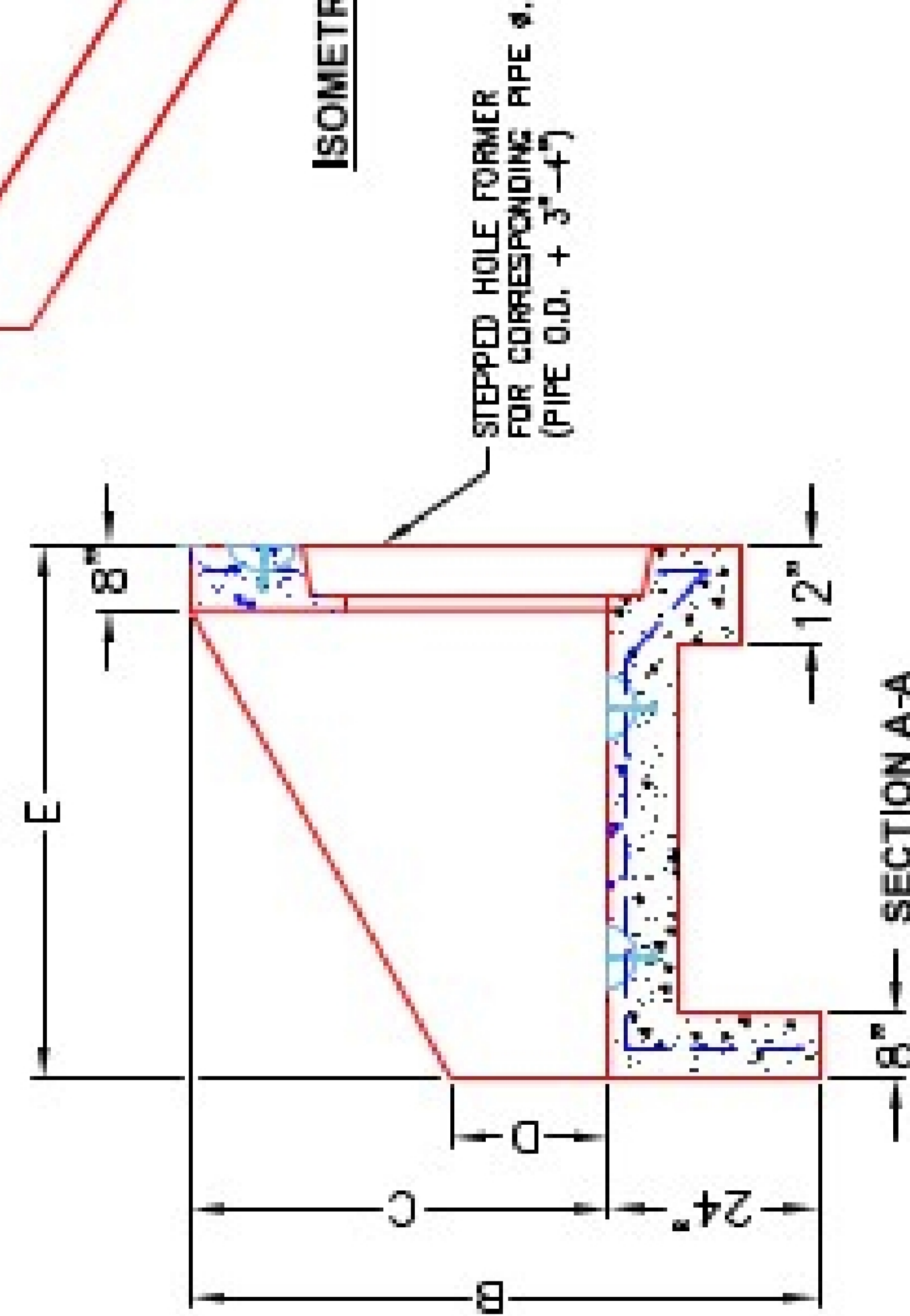
"A-ANCHOR" LIFTING SYSTEM FOR PLANT & FIELD HANDLING.



FRONT ELEVATION



ISOMETRIC VIEW



SECTION A-A

NOTES:

1. CONCRETE: KYTC APPROVED.
2. REINFORCING: #5 BAR @ 12" C/C E.W. - GRADE 60, (WITH 2" CONCRETE COVER MINIMUM)
3. REINFORCING BARS TO BE TACK WELDED OR TIED.
4. PIPE AND LIFTING ANCHOR POCKETS TO BE GROUTED WITH KYTC APPROVED NON-SHRINK GROUT.
5. DRAWING TO BE USED IN CONJUNCTION WITH KYTC STD. DRAWING RDH-110-02, RDH-210-03 AND THE STANDARD SPECIFICATIONS FOR ROAD AND BRIDGE CONSTRUCTION.
6. 3/4" CHAMFER ON ALL EXPOSED EDGES.
7. PREFORMED STEPPED HOLE SIZED AS PER O.D. OF PIPE + 3" - 4".

APPROVED FOR DESIGN ONLY

APPROVED
 AS PER SPECIFICATION 100.02
 KYTC DIV. OF CONSTRUCTION
 1/20/2021 9:50 am
 INSTRUCTION



INFRASTRUCTURE PRECAST, INC.
 601 WEST 7TH ST., BEAVER DAM, KY. 40001
 PHONE: (606) 338-2222, FAX: (606) 338-2222

KYTC 30"-60" PIPE CULVERT HEADWALL

DRAWING NO.: KYTC PC-118 DATE: 12-14-20
 DESIGNED BY: J.H. ROSS, PE DRAWN BY: M. RICHARDS
 WEB: WWW.ICASTINC.COM SCALE: NPS