

Job Name: 25-3194 KYTC Todd Co Call 101 (251113)	Plant: Beaver Dam	Tech: S. Felletter	
Job Location: Guthrie, KY Contractor: Mick-Murf Construction Inc.	5/1/2026 12:50:37 PM	PC: T. Ryan	

**Structure ID: 4637-MH (11)**

**P2 MH048CN30**

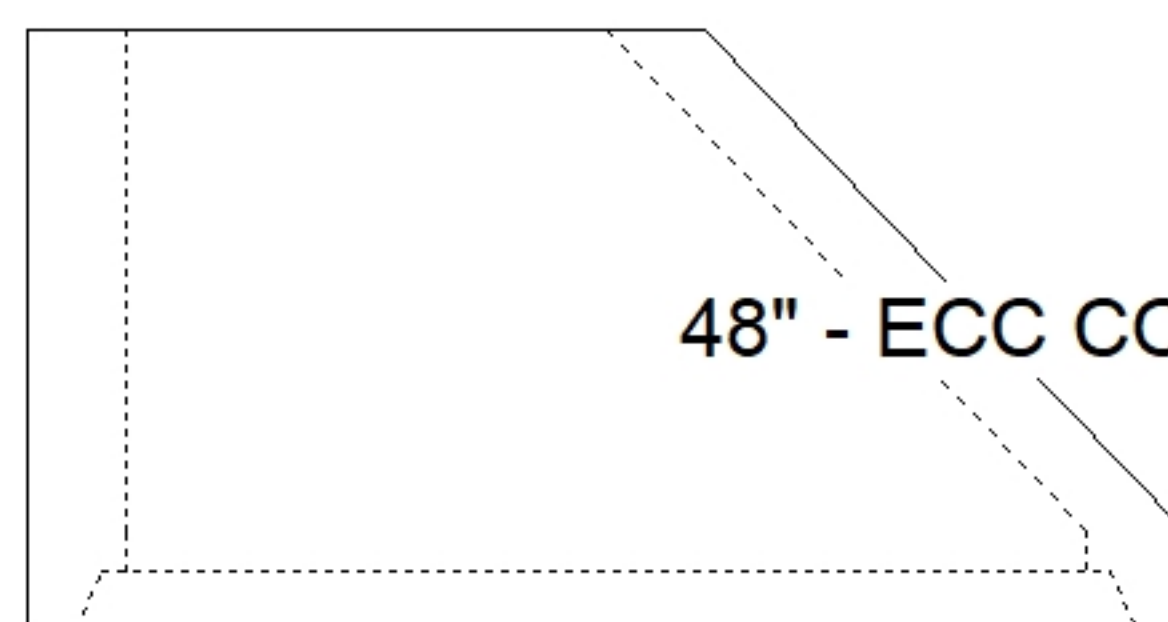
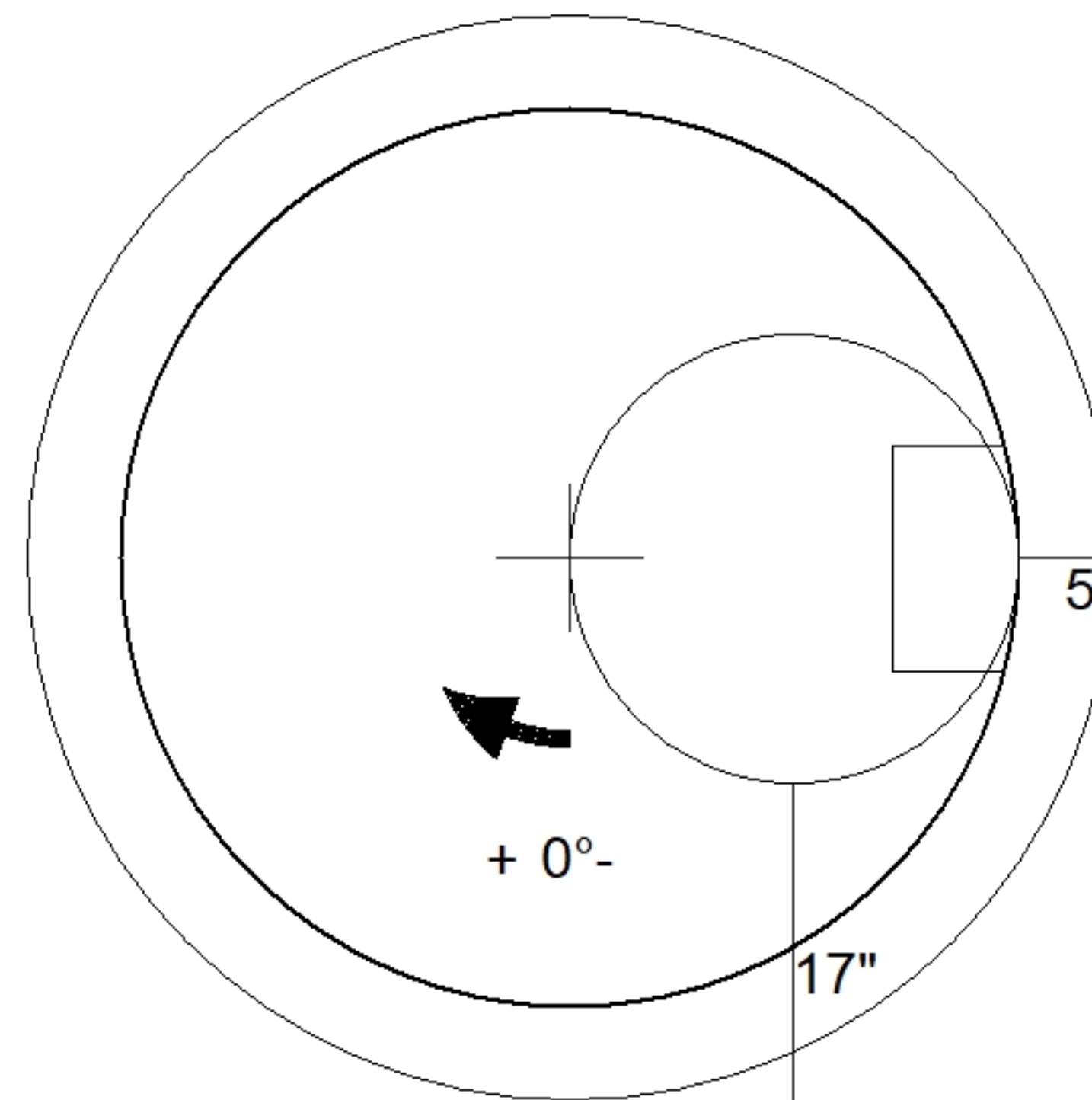
**ECC CONE w/ 24" HOLE F/G**

- P3) 24" - CASTING HEIGHT - 8"
- P2) 48" - ECC CONE w/ 24" HOLE F/G - 30"
- P1) 48" - MH BASE Custom Ht T/n - 33"
- 1) 48" - Conseal CS-102 1.00"
- 2) Hole - 22
- 6) MH Step ML-10-TDS-NCR - 10"

	0 lb
	2050 lb
	3306 lb
	0 lb
	0 lb
	0 lb
Structure Total:	5356 lb

Structure Notes:  
**\*\*KYTC STATE PROJECT\*\***  
 1. PER KYTC MH A / ASTM C478 SPEC'S.  
 2. CONCRETE = 4,000 PSI AT 28 DAYS.  
 3. MH A TYPE 2 CASTING BY OTHERS.

REINFORCING PER ASTM A615 (GRADE 60.)  
 - TOP SLAB (As .62) #5 BARS AT 6" C.C.E.W..  
 - RISER/WALLS (As .12)  
 - FLOOR (As .31) #5 BARS AT 12" C.C.E.W.



48" - ECC CONE w/ 24" HOLE F/G - 30" - (P2)

Coating (Int): Coating (Ext):	Seam Up: Flat Seam Dn: Groove	Wall Thickness: 5"	Height (Ext): 30"	Weight (Net): 2050 lb Volume (Net): 0.41cu.yd
----------------------------------	----------------------------------	--------------------	-------------------	--