

**Job Name: 25-3194 KYTC Todd Co Call 101 (251113)**  
**Job Location: Guthrie, KY**  
**Contractor: Mick-Murf Construction Inc.**

PC: T. Ryan  
 TECH: S. Felletter  
 Plant: Beaver Dam



Structure ID: **4637 (12)**  
 Spec: KYTC  
 Type: DBI TYPE 1  
 Size: 36" x 36"

Rim: 545.85'  
 Invert: 542.25'  
 Rim to Invert: 3.6'

Sump: 0"  
 Floor (Top): 542.25'  
 Floor Height: 8"

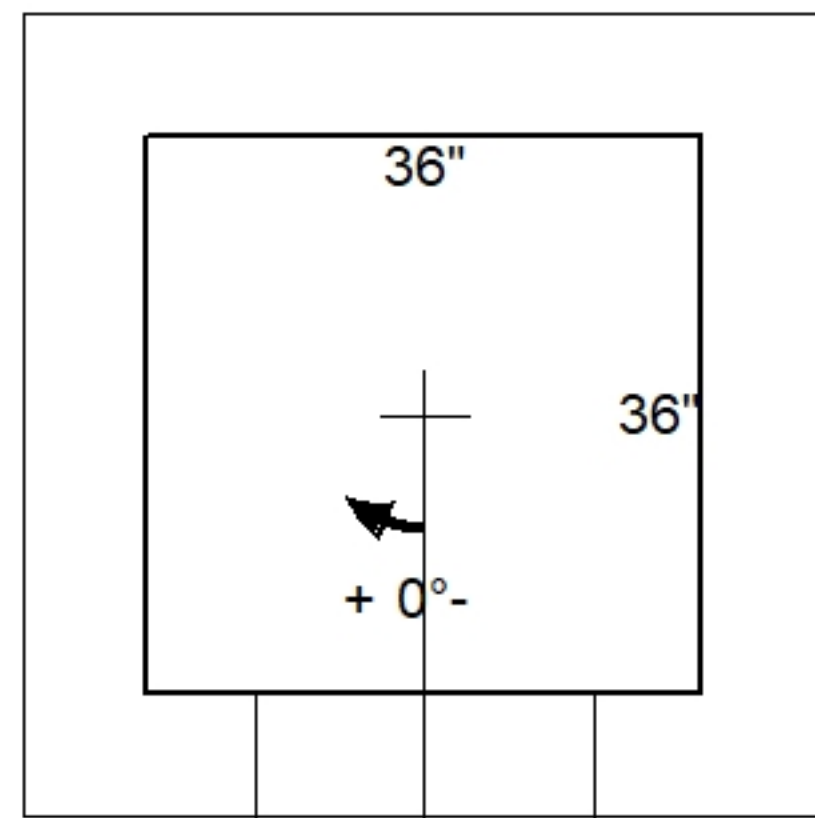
Floor (Bot): 541.583'  
 Overall Height: 4'  
 Slack: 3.2"

Structure Notes:

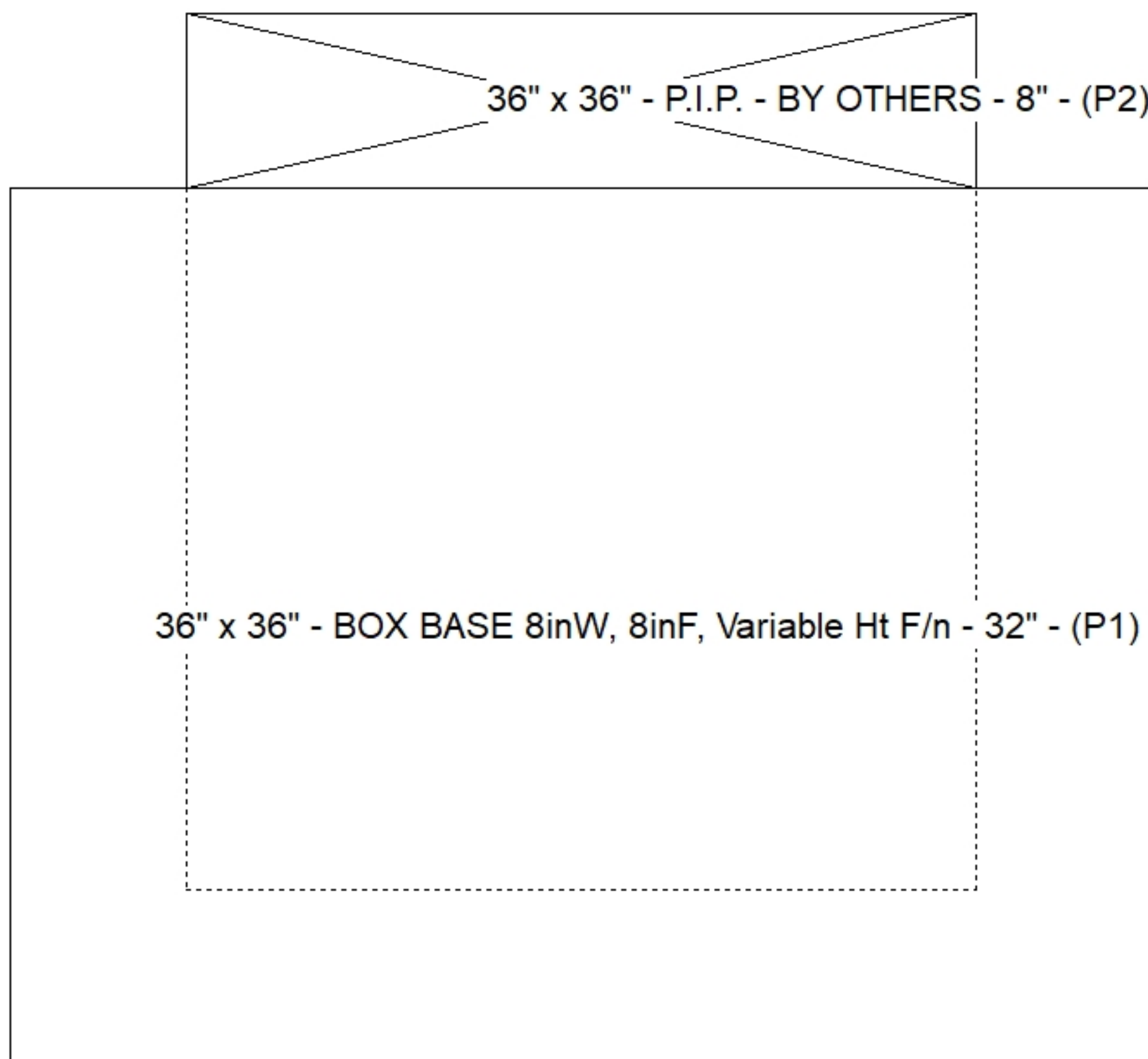
- \*\*KYTC STATE PROJECT\*\***
1. KYTC DBI TYPE 1 / ASTM C913 SPECIFICATIONS.
  2. CONCRETE = 4,000 PSI AT 28 DAYS.
  3. STUB #5 BARS 20" OUT TOP OF WALLS (SPA@12"C/C)
  4. DBI TYPE 1 CASTING BY OTHERS.
- REINFORCING PER ASTM A615 (GRADE 60).  
 - WALLS (As .31) #5 BARS AT 12" C.C.E.W.  
 - FLOOR (As .31) #5 BARS AT 12" C.C.E.W.

STRUCTURE SUMMARY:

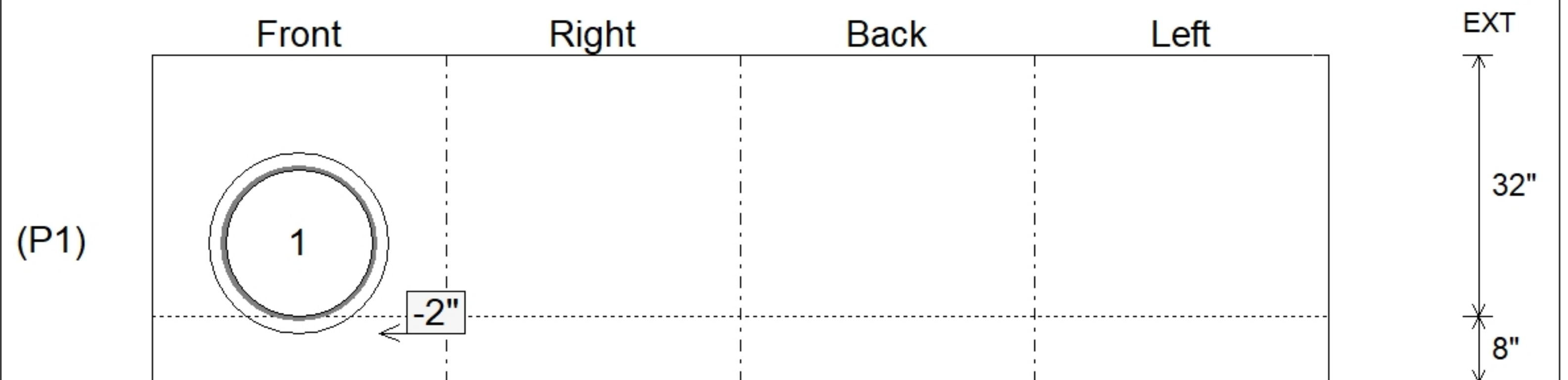
P2) 36" x 36" - P.I.P. - BY OTHERS - 8"	0 lb
P1) 36" x 36" - BOX BASE 8inW, 8inF, Variable Ht F/n - 32"	5341 lb
1) 36" x 36" - Conseal CS-102 1.00"	0 lb
1) Hole - 22	0 lb
	-----
Structure Total:	5341 lb



Position	Elev	Angle	Pipe	Pipe OD	Hole	Connector	Up (L)	Ref
Rim	545.85'							
Reducer								
Invert 1	542.25'	0°	18" CMP	19"	22"	Hole 22	-2"	P1
Invert 2								
Invert 3								
Invert 4								
Invert 5								
Invert 6								
Invert 7								
Invert 8								



**Default - Interior Dimensions**



Submittal Drawing  
 5/1/2026 12:49:59 PM

SUBMITTAL  
 APPROVED BY: