

Job Name: 25-3194 KYTC Todd Co Call 101 (251113)
Job Location: Guthrie, KY
Contractor: Mick-Murf Construction Inc.

PC: T. Ryan
 TECH: S. Felletter
 Plant: Beaver Dam



Structure ID: **4540 (9)**
 Spec: KYTC
 Type: MH A
 Size: 48"

Rim: 548.61'
 Invert: 541'
 Rim to Invert: 7.61'

Sump: 2"
 Floor (Top): 540.833'
 Floor Height: 6"

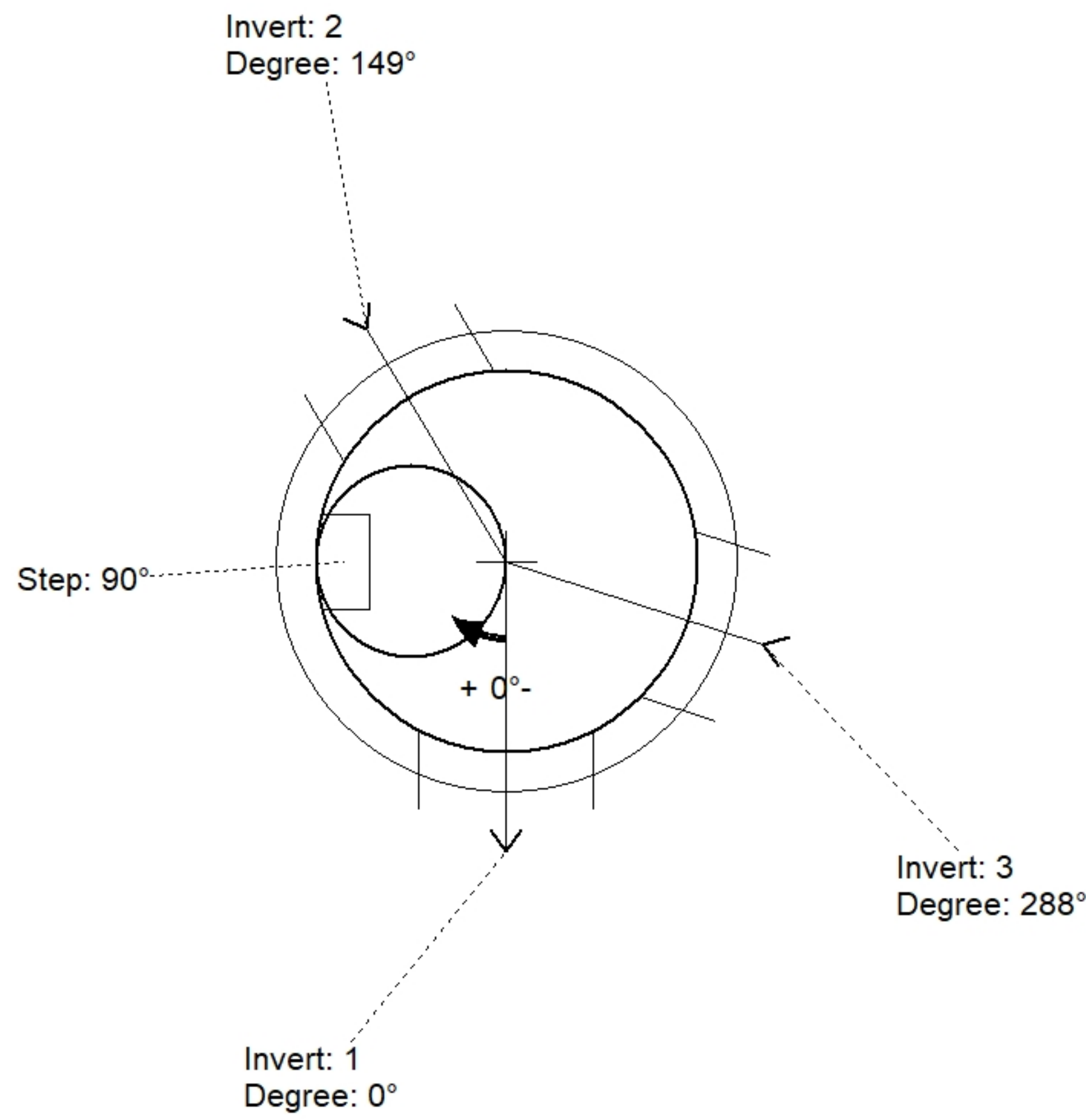
Floor (Bot): 540.333'
 Overall Height: 8'
 Slack: 3.32"

Structure Notes:

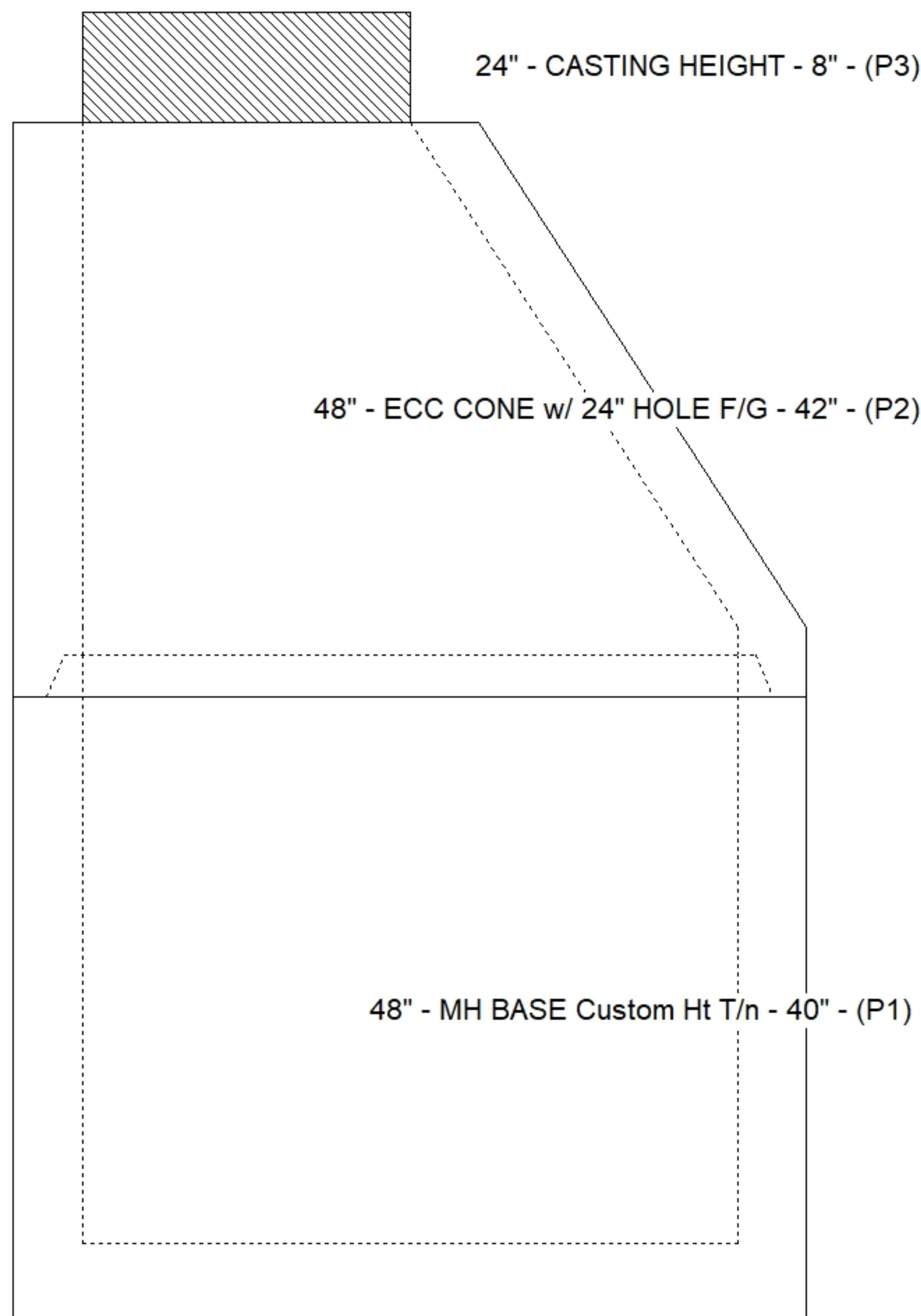
- **KYTC STATE PROJECT****
 1. PER KYTC MH A / ASTM C478 SPEC'S.
 2. CONCRETE = 4,000 PSI AT 28 DAYS.
 3. MH A TYPE 2 CASTING BY OTHERS.
- REINFORCING PER ASTM A615 (GRADE 60.)
 - TOP SLAB (As .62) #5 BARS AT 6" C.C.E.W..
 - RISER/WALLS (As .12)
 - FLOOR (As .31) #5 BARS AT 12" C.C.E.W.

STRUCTURE SUMMARY:

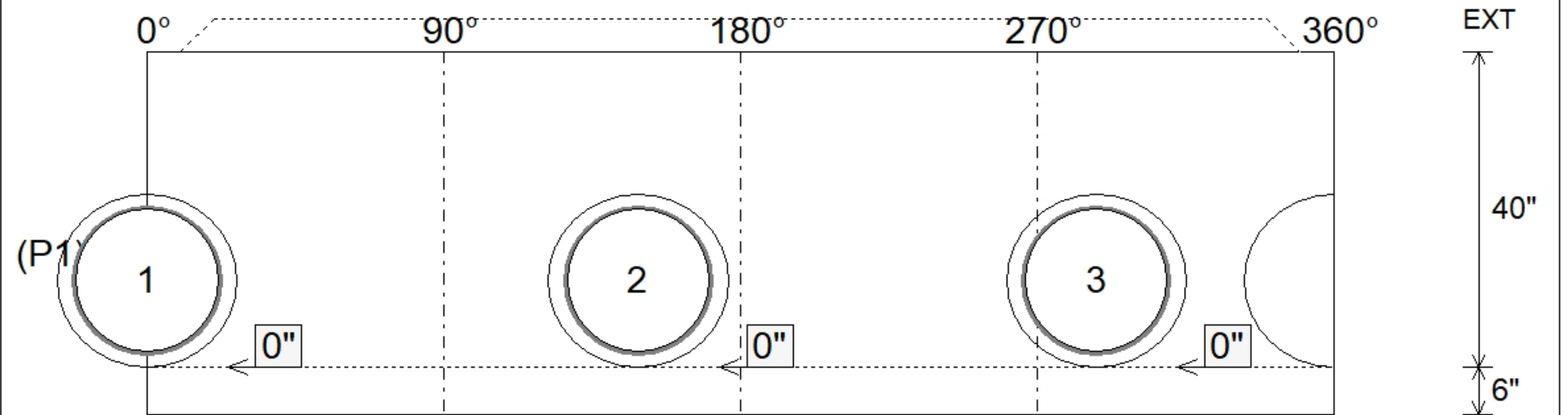
P3) 24" - CASTING HEIGHT - 8"	0 lb
P2) 48" - ECC CONE w/ 24" HOLE F/G - 42"	3200 lb
P1) 48" - MH BASE Custom Ht T/n - 40"	3631 lb
1) 48" - Conseal CS-102 1.00"	0 lb
3) Hole - 22	0 lb
7) MH Step ML-10-TDS-NCR - 10"	0 lb
Structure Total:	6831 lb



Position	Elev	Angle	Pipe	Pipe OD	Hole	Connector	Up (L)	Ref
Rim	548.61'							
Reducer								
Invert 1	541'	0°	18" CMP	19"	22"	Hole 22	0"	P1
Invert 2	541'	149°	18" CMP	19"	22"	Hole 22	0"	P1
Invert 3	541'	288°	18" CMP	19"	22"	Hole 22	0"	P1
Invert 4								
Invert 5								
Invert 6								
Invert 7								
Invert 8								



Default - Interior Dimensions



Submittal Drawing
 5/1/2026 12:50:01 PM

SUBMITTAL
 APPROVED BY: