

Job Name: 25-3194 KYTC Todd Co Call 101 (251113)
Job Location: Guthrie, KY
Contractor: Mick-Murf Construction Inc.

PC: T. Ryan
 TECH: S. Felletter
 Plant: Beaver Dam



Structure ID: **4488 (10)**
 Spec: KYTC
 Type: MH A
 Size: 48"

Rim: 550.37'
 Invert: 543.87'
 Rim to Invert: 6.5'

Sump: 2"
 Floor (Top): 543.703'
 Floor Height: 6"

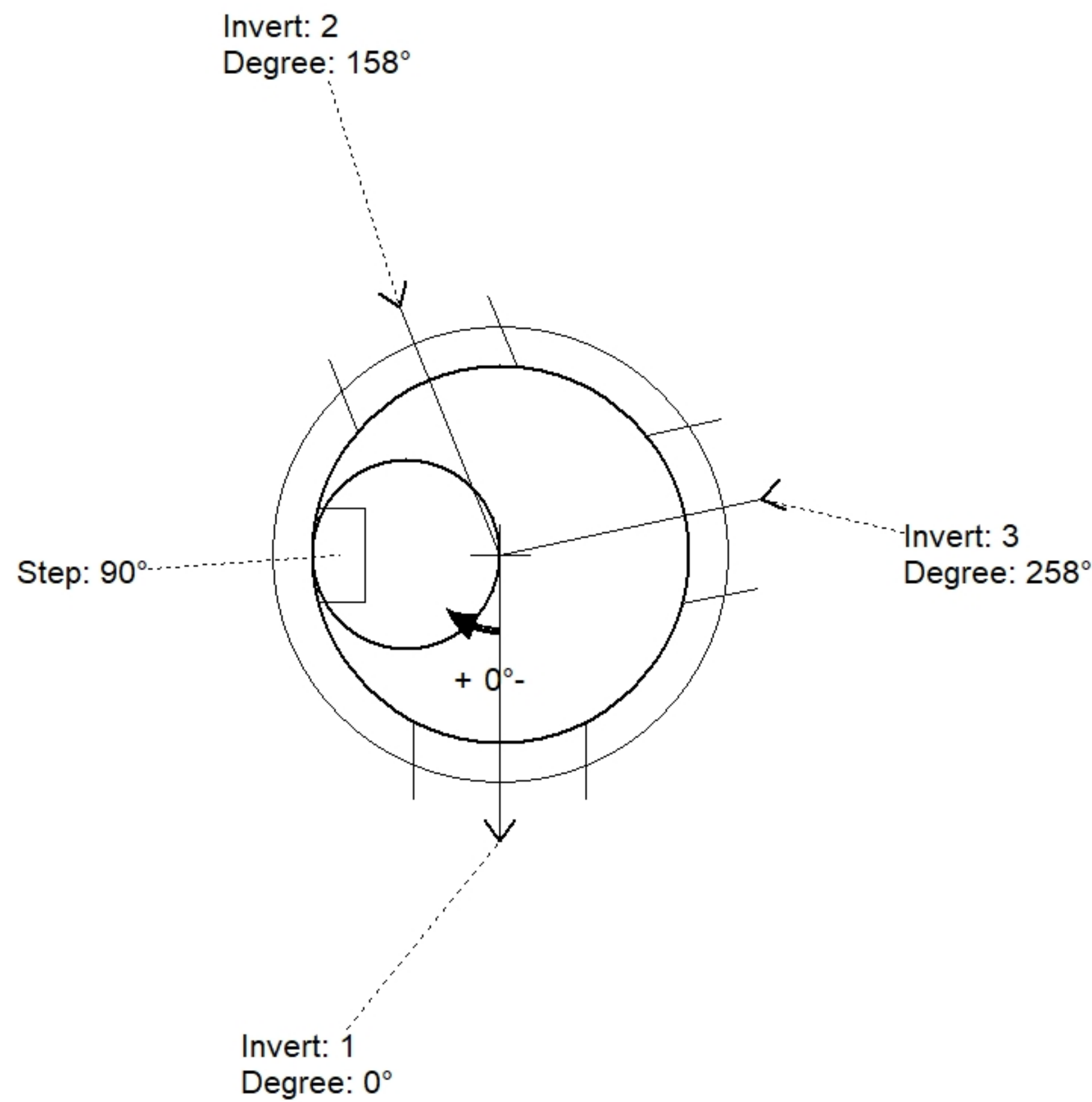
Floor (Bot): 543.203'
 Overall Height: 6.917'
 Slack: 3"

Structure Notes:

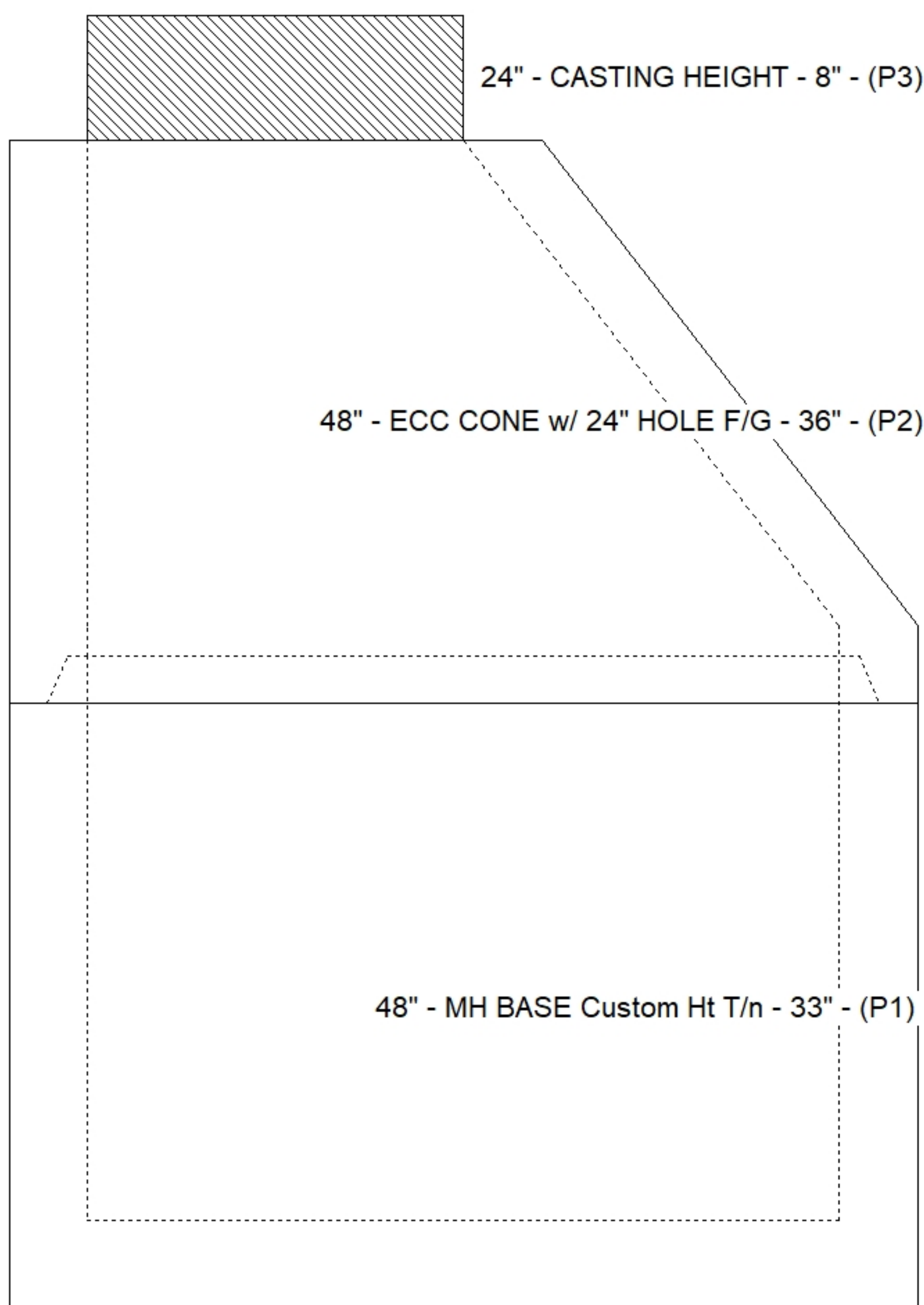
- **KYTC STATE PROJECT****
- PER KYTC MH A / ASTM C478 SPEC'S.
 - CONCRETE = 4,000 PSI AT 28 DAYS.
 - MH A TYPE 2 CASTING BY OTHERS.
- REINFORCING PER ASTM A615 (GRADE 60.)
- TOP SLAB (As .62) #5 BARS AT 6" C.C.E.W..
 - RISER/WALLS (As .12)
 - FLOOR (As .31) #5 BARS AT 12" C.C.E.W.

STRUCTURE SUMMARY:

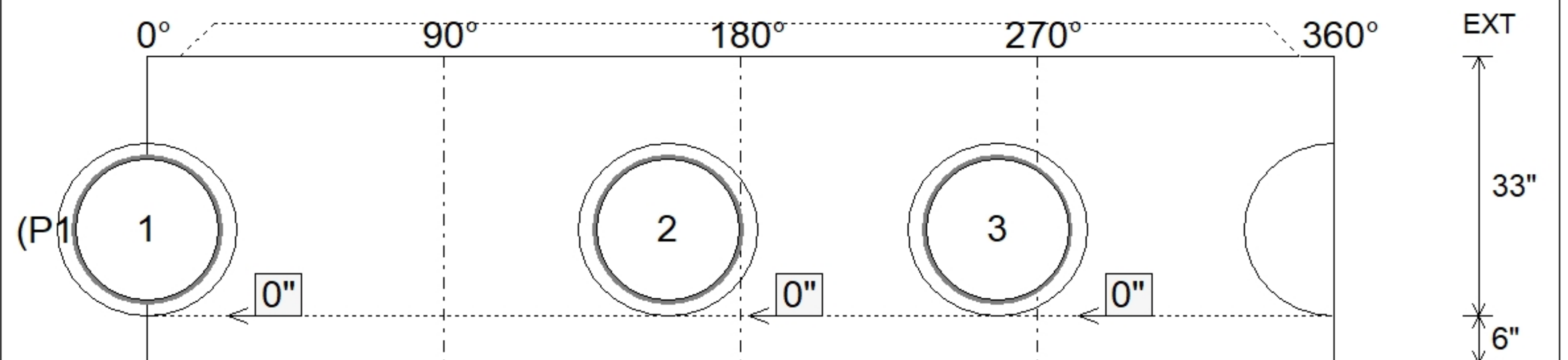
P3) 24" - CASTING HEIGHT - 8"	0 lb
P2) 48" - ECC CONE w/ 24" HOLE F/G - 36"	3000 lb
P1) 48" - MH BASE Custom Ht T/n - 33"	3142 lb
1) 48" - Conseal CS-102 1.00"	0 lb
3) Hole - 22	0 lb
6) MH Step ML-10-TDS-NCR - 10"	0 lb
Structure Total:	6142 lb



Position	Elev	Angle	Pipe	Pipe OD	Hole	Connector	Up (L)	Ref
Rim	550.37'							
Reducer								
Invert 1	543.87'	0°	18" CMP	19"	22"	Hole 22	0"	P1
Invert 2	543.87'	158°	18" CMP	19"	22"	Hole 22	0"	P1
Invert 3	543.87'	258°	18" CMP	19"	22"	Hole 22	0"	P1
Invert 4								
Invert 5								
Invert 6								
Invert 7								
Invert 8								



Default - Interior Dimensions



Submittal Drawing
 5/1/2026 12:50:02 PM

SUBMITTAL
 APPROVED BY: