

Job Name: 25-3194 KYTC Todd Co Call 101 (251113)
 Job Location: Guthrie, KY
 Contractor: Mick-Murf Construction Inc.

Plant: Beaver Dam
 5/1/2026 12:50:37 PM

Tech: S. Felletter
 PC: T. Ryan



Structure ID: 4488 (10)

P2 MH048CN36

ECC CONE w/ 24" HOLE F/G

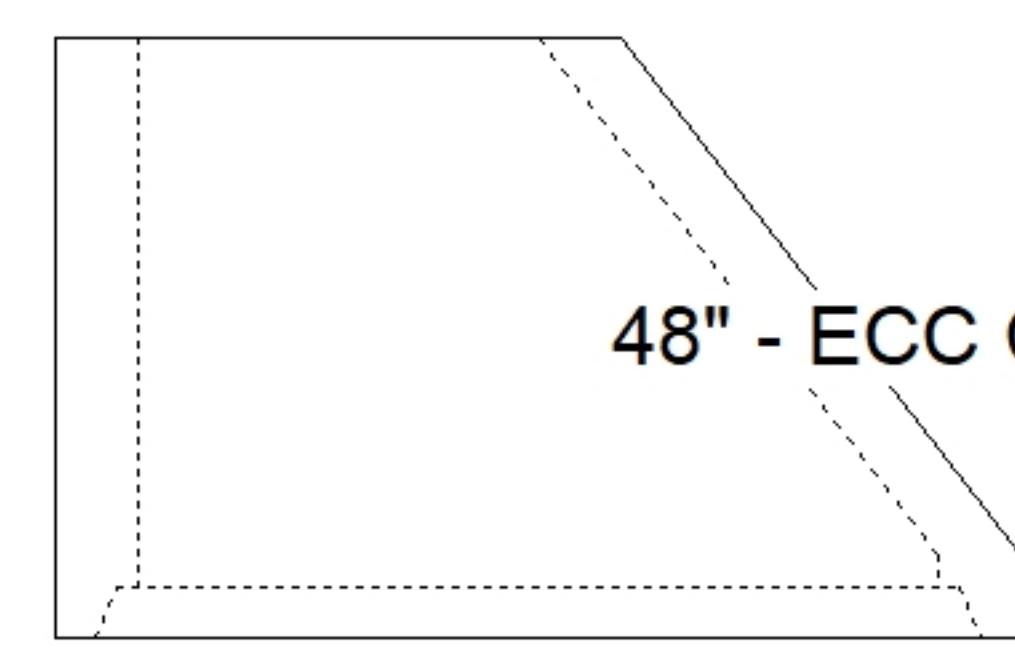
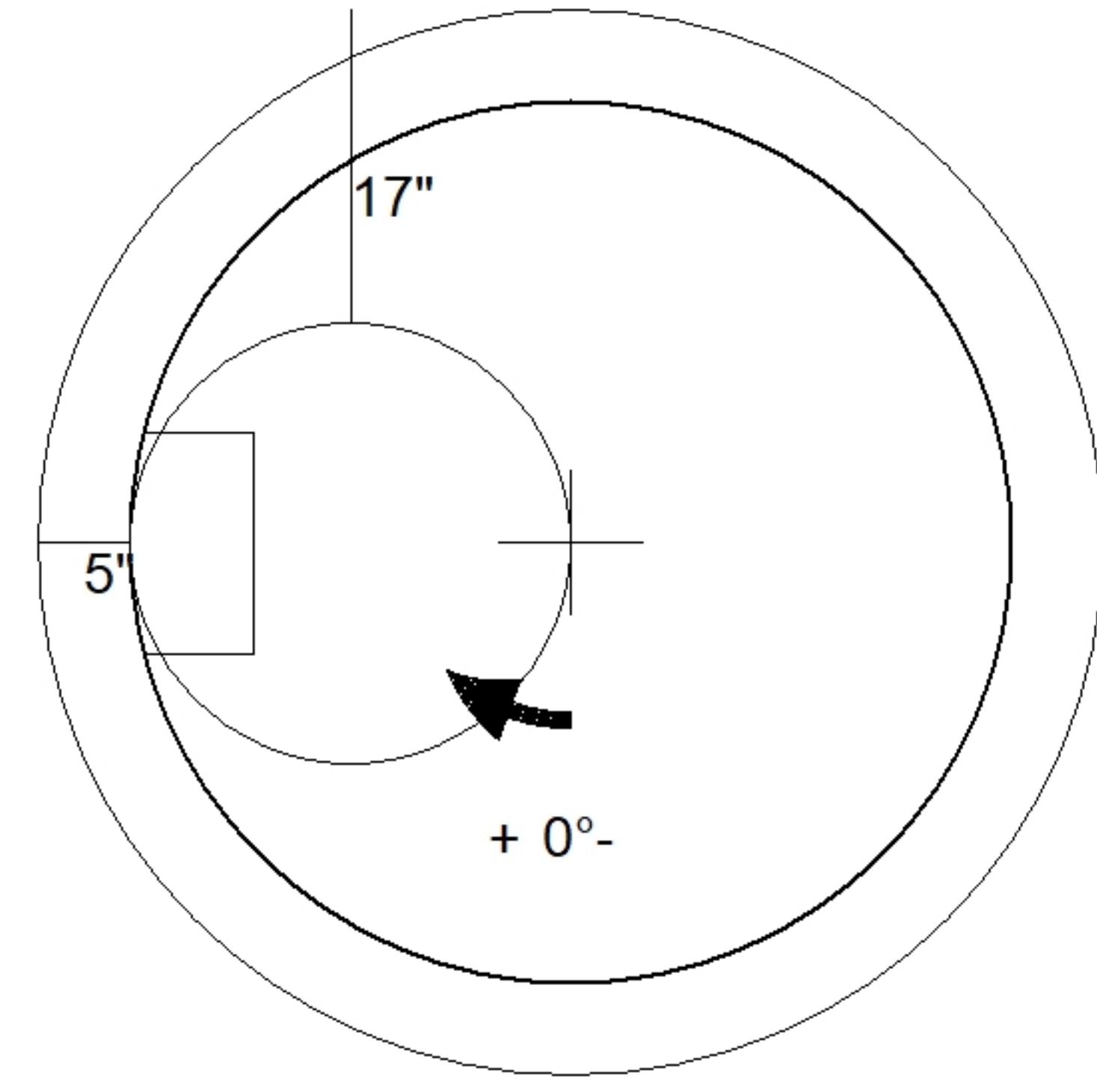
- P3) 24" - CASTING HEIGHT - 8"
- P2) 48" - ECC CONE w/ 24" HOLE F/G - 36"
- P1) 48" - MH BASE Custom Ht T/n - 33"
- 1) 48" - Conseal CS-102 1.00"
- 3) Hole - 22
- 6) MH Step ML-10-TDS-NCR - 10"

0 lb
 3000 lb
 3142 lb
 0 lb
 0 lb
 0 lb

 Structure Total: 6142 lb

Structure Notes:
 KYTC STATE PROJECT
 1. PER KYTC MH A / ASTM C478 SPEC'S.
 2. CONCRETE = 4,000 PSI AT 28 DAYS.
 3. MH A TYPE 2 CASTING BY OTHERS.

REINFORCING PER ASTM A615 (GRADE 60.)
 - TOP SLAB (As .62) #5 BARS AT 6" C.C.E.W..
 - RISER/WALLS (As .12)
 - FLOOR (As .31) #5 BARS AT 12" C.C.E.W.



48" - ECC CONE w/ 24" HOLE F/G - 36" - (P2)

Coating (Int): Coating (Ext):	Seam Up: Flat Seam Dn: Groove	Wall Thickness: 5"	Height (Ext): 36"	Weight (Net): 3000 lb Volume (Net): 0.5cu.yd
----------------------------------	----------------------------------	--------------------	-------------------	-------------------------------------------------