

**Structure ID: 4488 (10)**

**P1 MH048BAVF**

**MH BASE Custom Ht T/n**

P3) 24" - CASTING HEIGHT - 8" P2) 48" - ECC CONE w/ 24" HOLE F/G - 36" P1) 48" - MH BASE Custom Ht T/n - 33" 1) 48" - Conseal CS-102 1.00" 3) Hole - 22" 6) MH Step ML-10-TDS-NCR - 10"	0 lb 3000 lb 3142 lb 0 lb 0 lb 0 lb ----- Structure Total: 6142 lb
--	---

**Structure Notes:**  
**\*\*KYTC STATE PROJECT\*\***  
 1. PER KYTC MH A / ASTM C478 SPEC'S.  
 2. CONCRETE = 4,000 PSI AT 28 DAYS.  
 3. MH A TYPE 2 CASTING BY OTHERS.

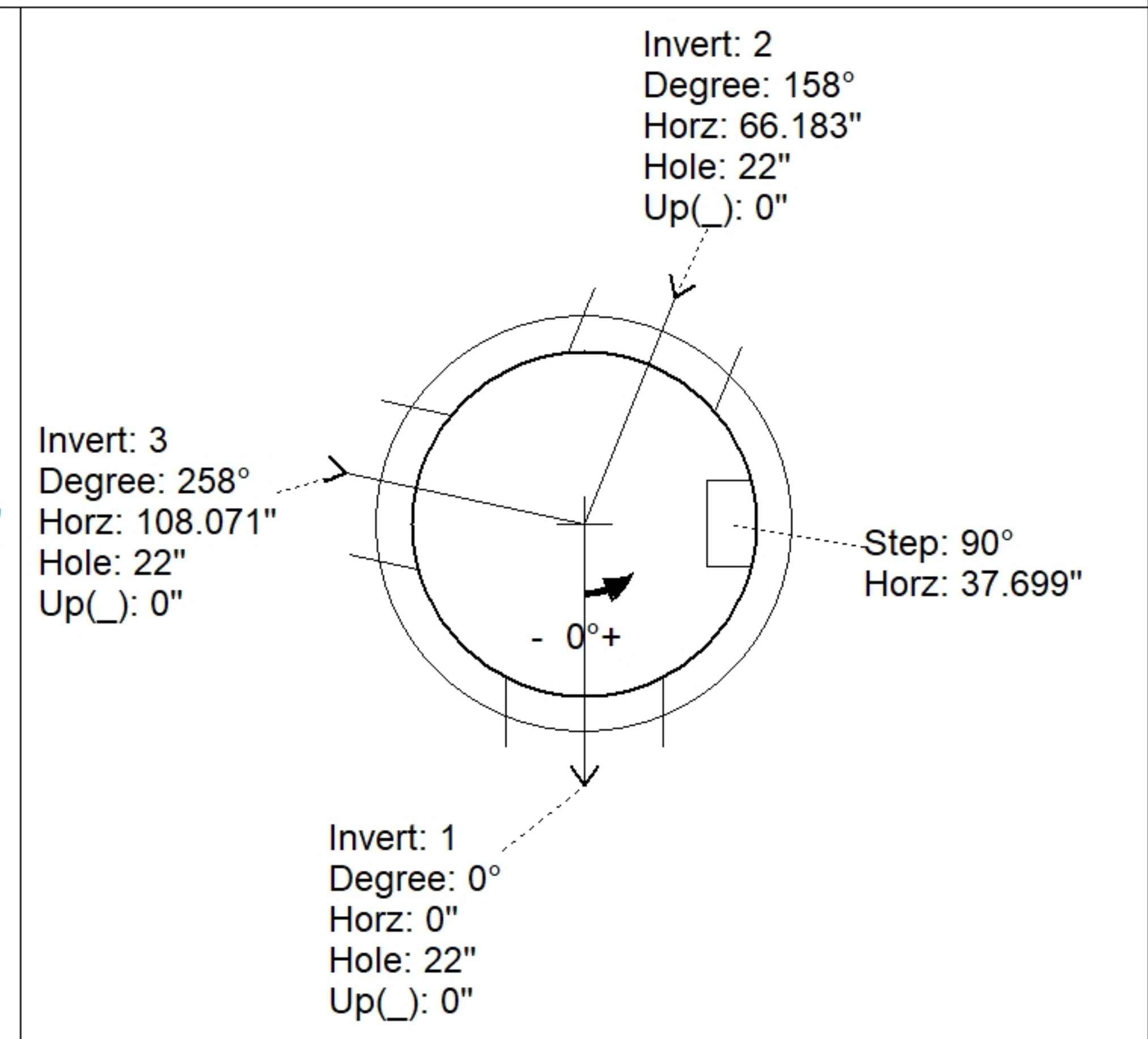
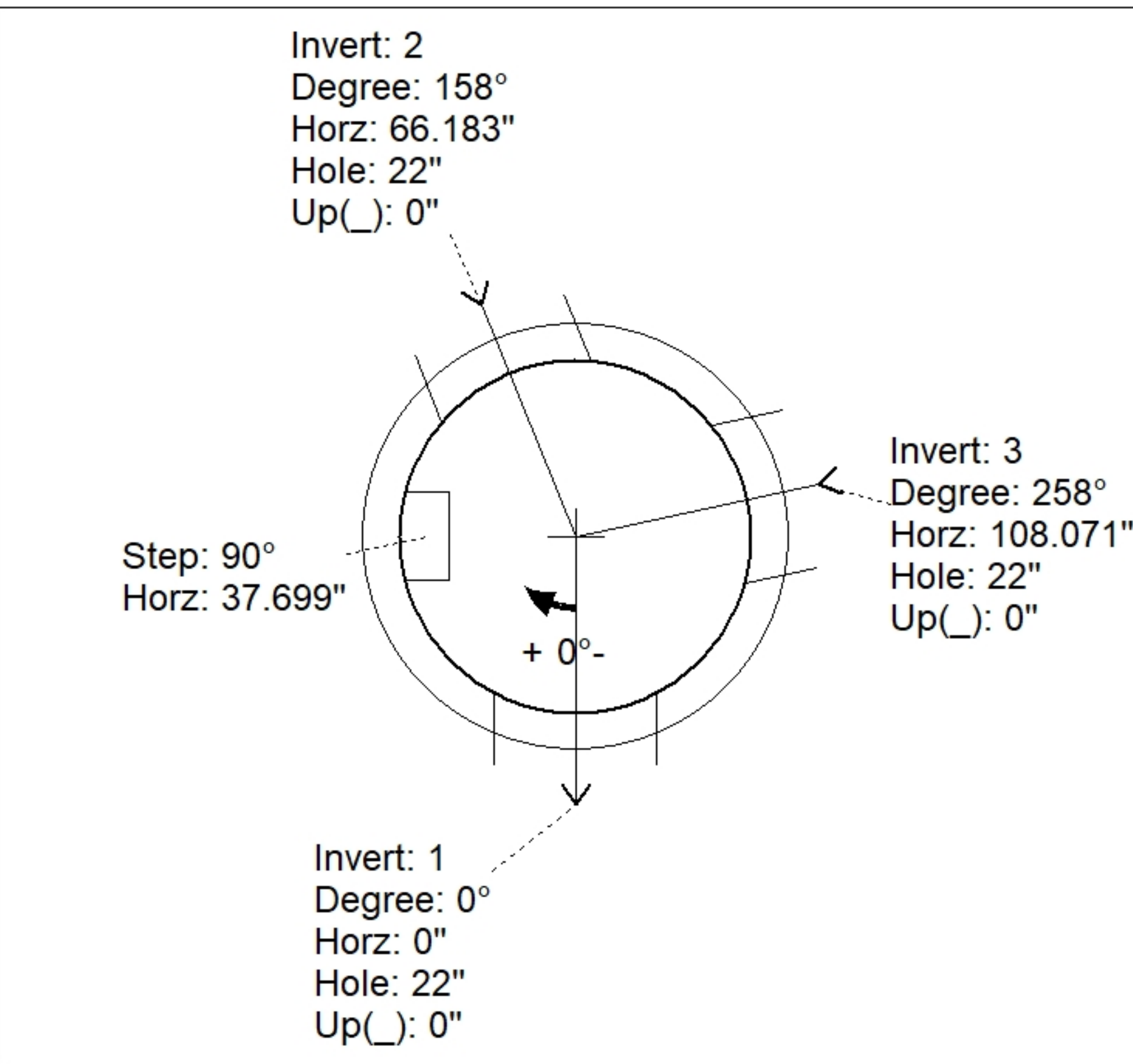
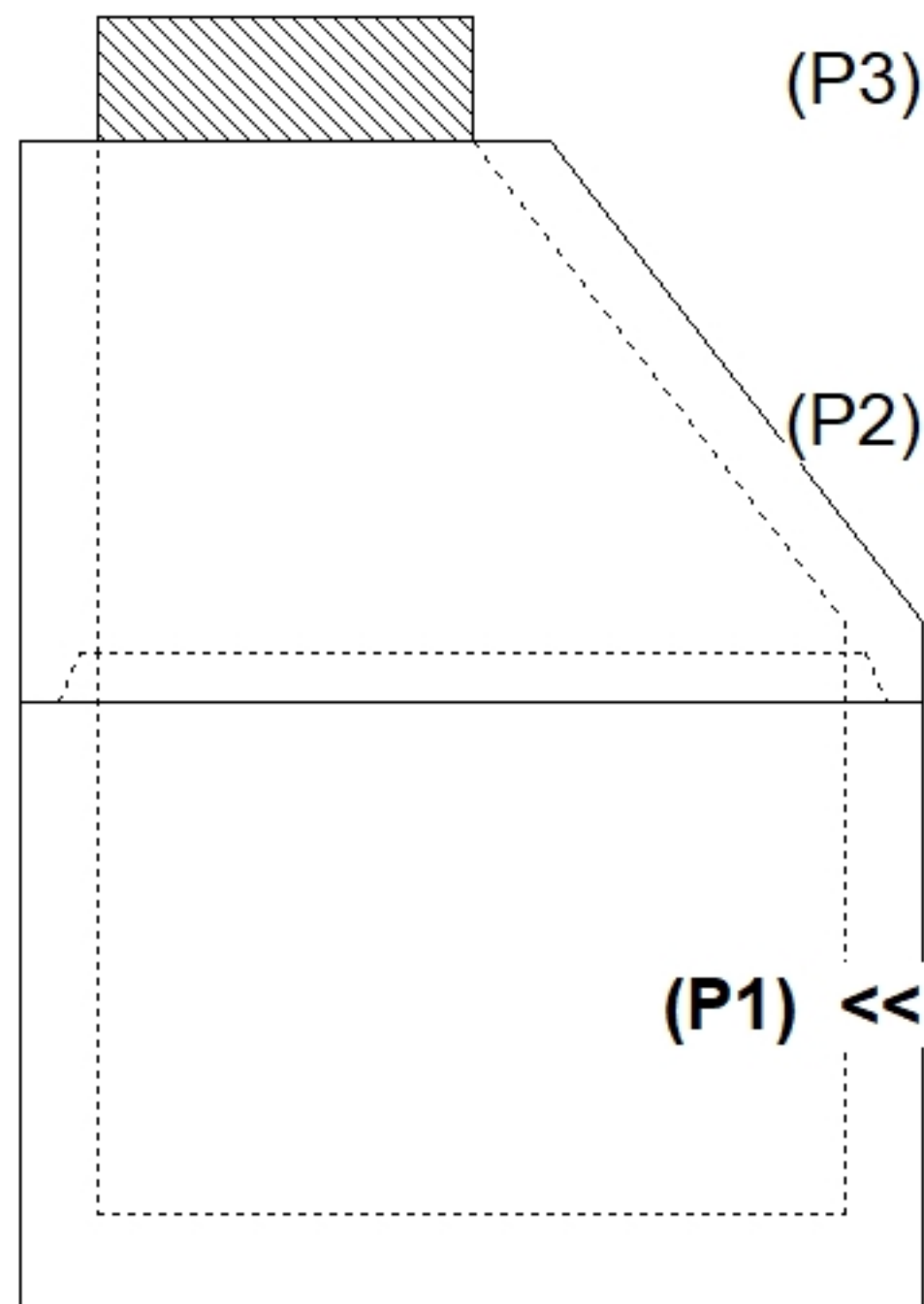
REINFORCING PER ASTM A615 (GRADE 60.)  
 - TOP SLAB (As .62) #5 BARS AT 6" C.C.E.W..  
 - RISER/WALLS (As .12)  
 - FLOOR (As .31) #5 BARS AT 12" C.C.E.W.

Rim: 550.37'    Rim to Invert: 6.5'    Slack: 3"    Sump: 2"    Step Position: 90

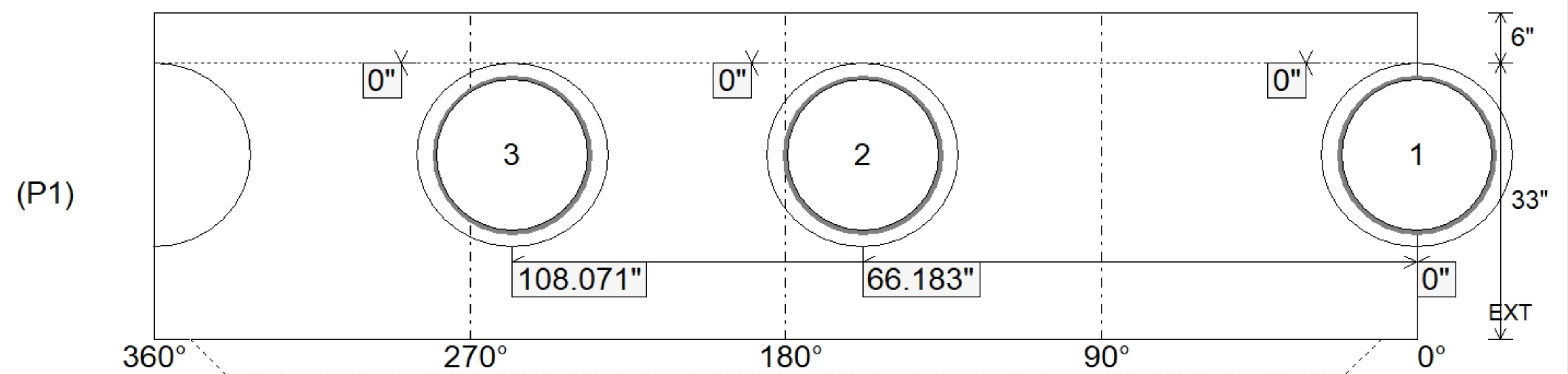
Position	Elev	Angle	Ext. (cw)	Pipe	Pipe OD	Connector	Hole	Horz Size	Up ( )	Offset
Invert 1	543.87'	0°	0"	18" CMP	19"	Hole 22	22"	22.854"	0"	0"
Invert 2	543.87'	158°	79.971"	18" CMP	19"	Hole 22	22"	22.854"	0"	0"
Invert 3	543.87'	258°	130.586"	18" CMP	19"	Hole 22	22"	22.854"	0"	0"
Invert 4										
Invert 5										
Invert 6										
Invert 7										
Invert 8										

**RIGHT-SIDE UP VIEW (int. dimensions)**

**UPSIDE-DOWN VIEW (int. dimensions)**



**INSIDE WALL DIMENSIONS**



Coating (Int): Coating (Ext):	Seam Up: Tongue Seam Dn: n/a	Wall Thickness: 5" Floor Height: 6"	Height (Int): 33" Height (Ext): 39"	Weight (Net): 3142 lb Volume (Net): 0.8cu.yd
----------------------------------	---------------------------------	--	--	---