

Job Name: 25-3194 KYTC Todd Co Call 101 (251113)
Job Location: Guthrie, KY
Contractor: Mick-Murf Construction Inc.

PC: T. Ryan
 TECH: S. Felletter
 Plant: Beaver Dam



Structure ID: **3538-JB (8)**
 Spec: KYTC
 Type: Junction Box B2
 Size: 24" x 36"

Rim: 538.69'
 Invert: 532.52'
 Rim to Invert: 6.17'

Sump: 0"
 Floor (Top): 532.52'
 Floor Height: 8"

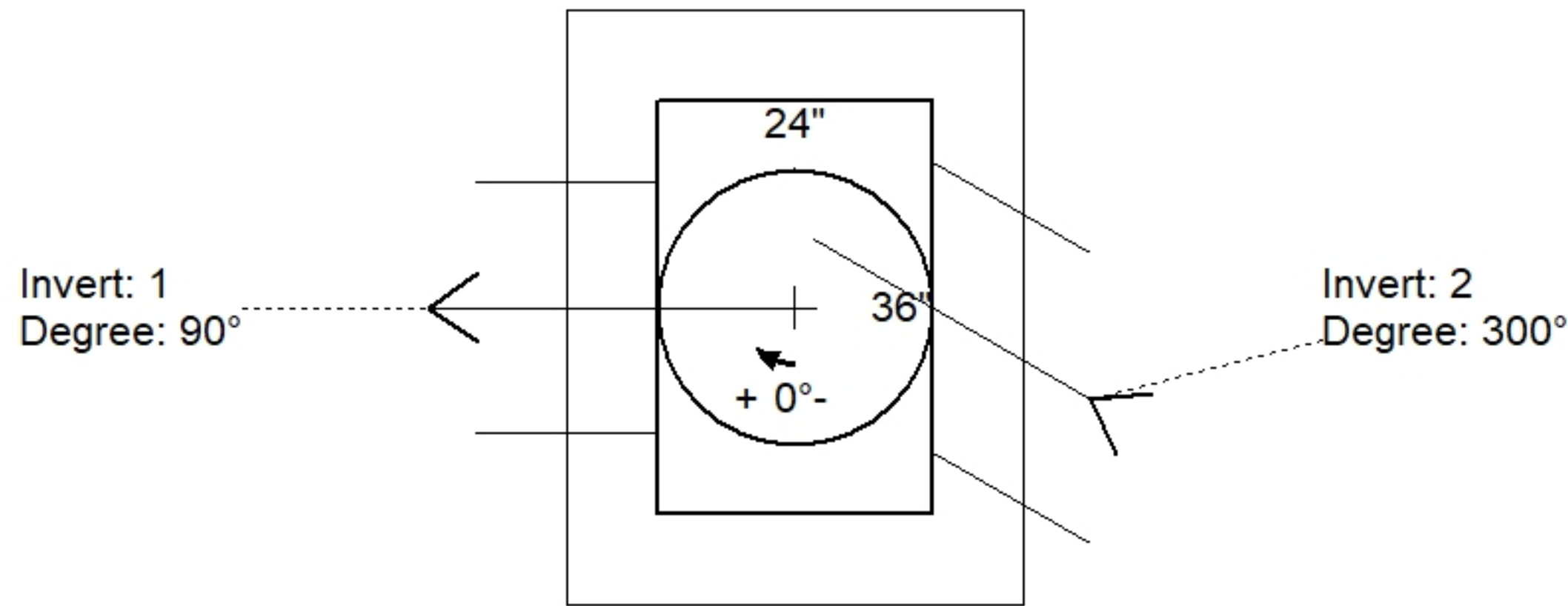
Floor (Bot): 531.853'
 Overall Height: 6.583'
 Slack: 3.04"

Structure Notes:

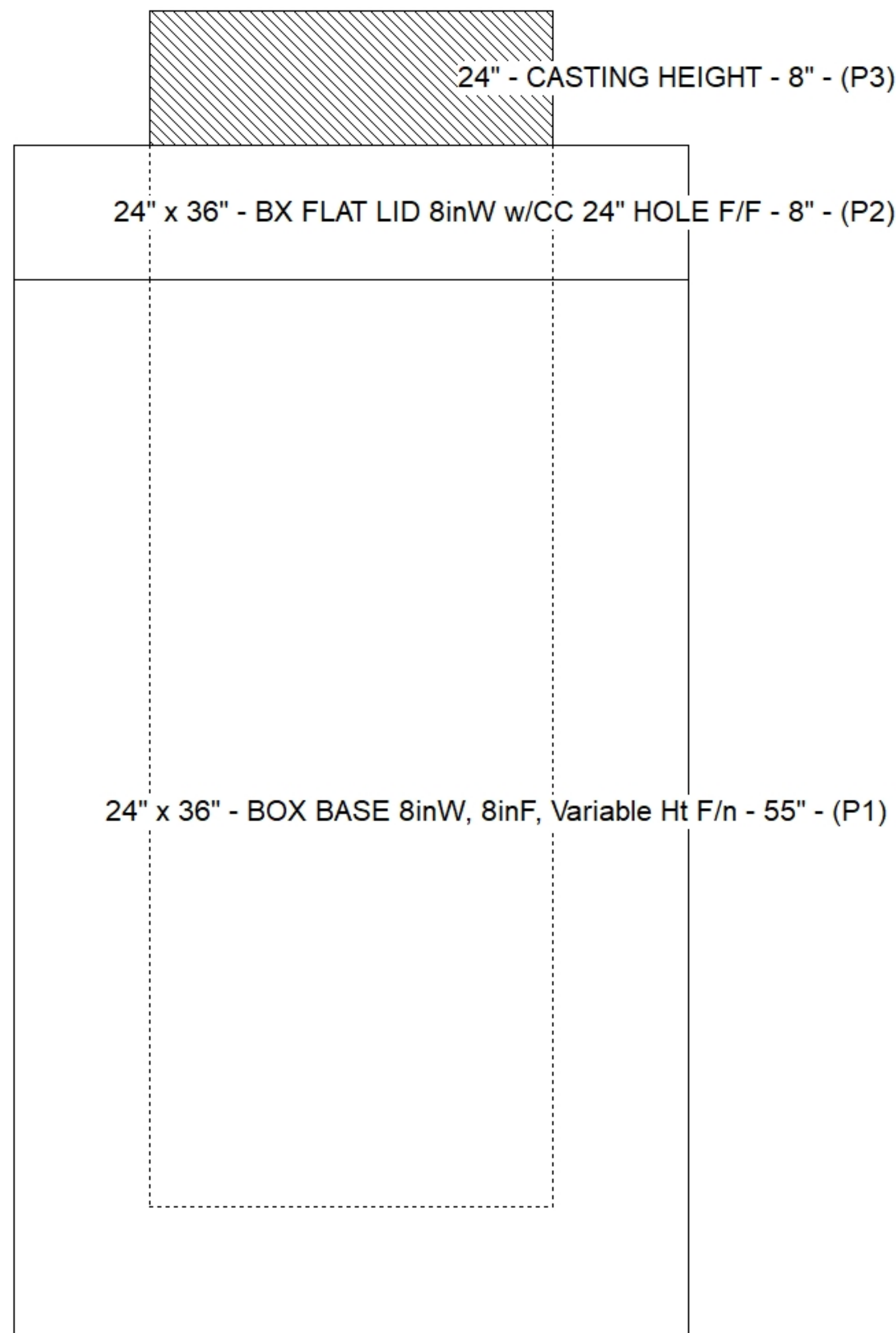
- ***KYTC STATE PROJECT**
1. KYTC JUNCTION BOX B1 / PER ASTM C913 SPEC'S.
 2. CONCRETE = 4,000 PSI AT 28 DAYS.
 3. TOP SLAB w 24" HOLE FOR KYTC TYPE 2 F/C.
 4. REINFORCING PER ASTM A615 (GRADE 60).
 - TOP SLAB (As. 62) #5 BARS AT 6" C.C.E.W.
 - WALLS (As .31) #5 BARS AT 12" C.C.E.W.
 - FLOOR (As .31) #5 BARS AT 12: C.C.E.W.

STRUCTURE SUMMARY:

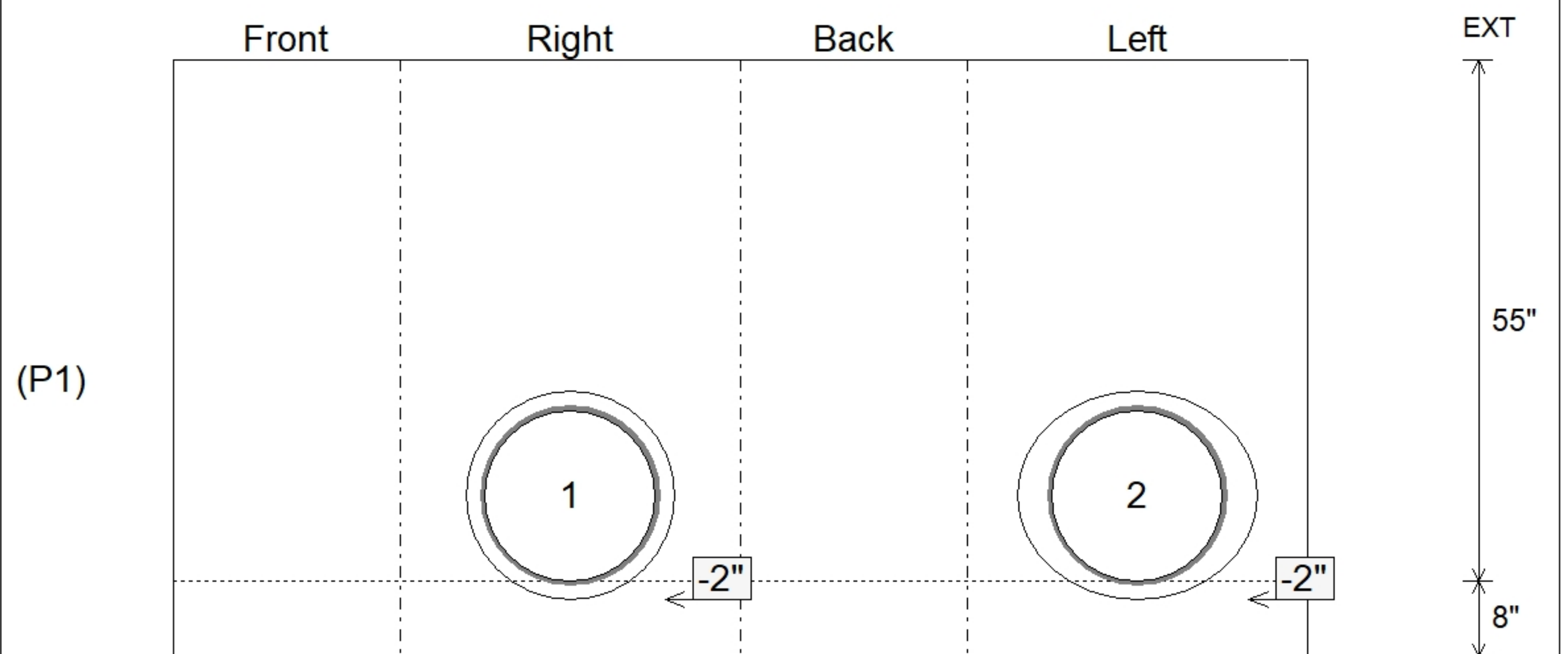
P3) 24" - CASTING HEIGHT - 8"	0 lb
P2) 24" x 36" - BX FLAT LID 8inW w/CC 24" HOLE F/F - 8"	1093 lb
P1) 24" x 36" - BOX BASE 8inW, 8inF, Variable Ht F/n - 55"	6458 lb
1) 24" x 36" - Conseal CS-102 1.00"	0 lb
2) Hole - 22"	0 lb
Structure Total:	7551 lb



Position	Elev	Angle	Pipe	Pipe OD	Hole	Connector	Up (L)	Ref
Rim	538.69'							
Reducer								
Invert 1	532.52'	90°	18" CMP	19"	22"	Hole 22	-2"	P1
Invert 2	532.52'	300°	18" CMP	19"	22"	Hole 22	-2"	P1
Invert 3								
Invert 4								
Invert 5								
Invert 6								
Invert 7								
Invert 8								



Default - Interior Dimensions



Submittal Drawing
 5/1/2026 12:50:02 PM

SUBMITTAL
 APPROVED BY: