

Job Name: 25-3194 KYTC Todd Co Call 101 (251113)  
 Job Location: Guthrie, KY  
 Contractor: Mick-Murf Construction Inc.

Plant: Beaver Dam  
 4/30/2026 1:23:19 PM

Tech: S. Felletter  
 PC: T. Ryan



**Structure ID: 3347 (3)**

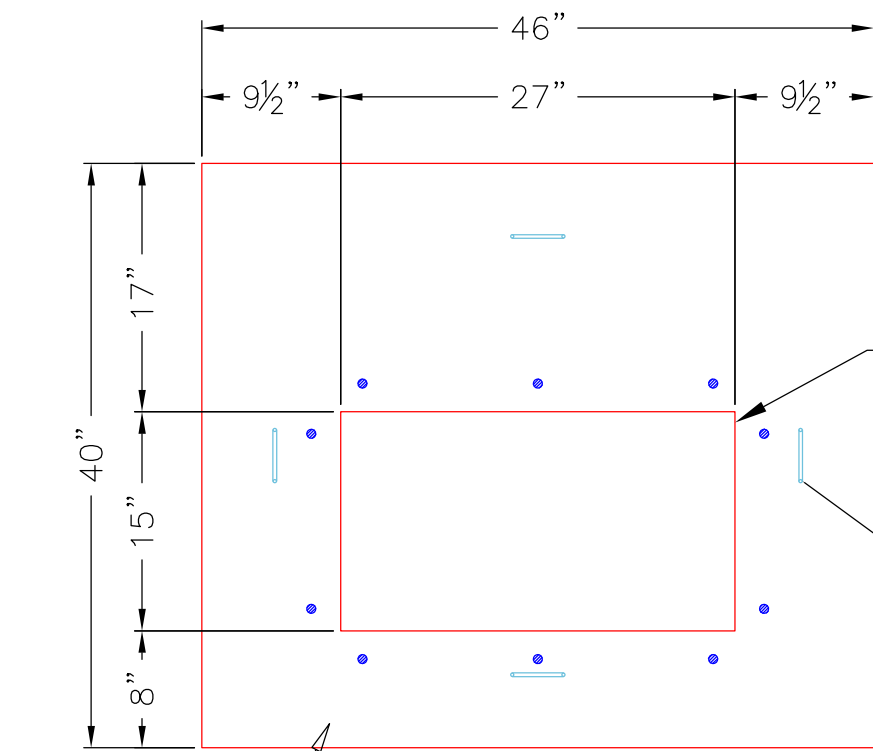
**P2 BX024030-08LD08-15X27**

**CB FLAT TOP 8"W w/15"x27" HOLE F/F**

- P3) 15" x 27" - P.I.P. - BY OTHERS - 8"
- P2) 24" x 30" - CB FLAT TOP 8"W w/15"x27" HOLE F/F - 8"
- P1) 24" x 30" - BOX BASE 8inW, 8inF, Variable Ht F/n - 22"
- 1) 24" x 30" - Conseal CS-102 1.00"
- 1) 15" x 27" - Conseal CS-102 1.00"
- 1) Hole - 16
- 2) Hole - 4

0 lb  
 963 lb  
 3151 lb  
 0 lb  
 0 lb  
 0 lb  
 0 lb  
 -----  
 Structure Total: 4114 lb

**Structure Notes:**  
**\*\*KYTC STATE PROJECT\*\***  
 1. KYTC DBI TYPE 13G / ASTM C-913 SPEC'S.  
 2. CONCRETE = 4,000 PSI AT 28 DAYS.  
 3. STUB #5 BARS 5" OUT TOP SLAB AROUND OPENING @12" C/C.  
 4. DBI TYPE 13G CASTING BY OTHERS.  
  
 REINFORCING PER ASTM A615 (GRADE 60).  
 - TOP SLAB (As .62) #5 BARS AT 6" C.C.E.W. (DBL MAT).  
 - WALLS (As .31) #5 BARS AT 12" C.C.E.W..  
 - FLOOR (As .31) #5 BARS AT 12" C.C.E.W.



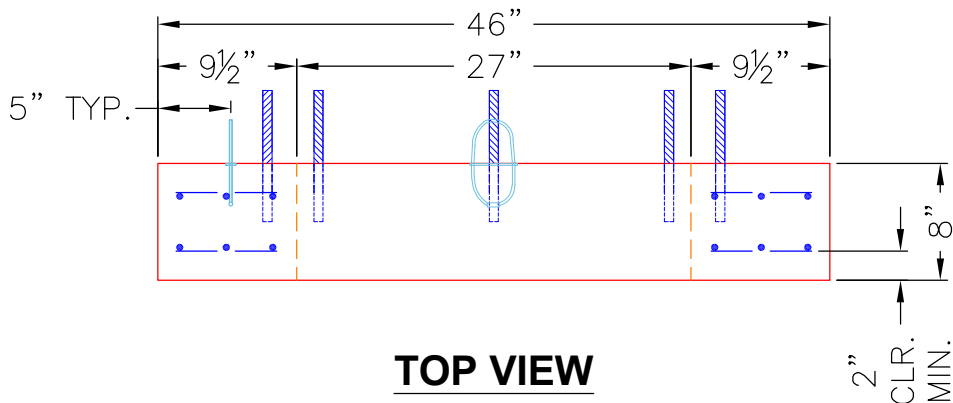
**NOTES:**

1. MANUFACTURED TO KYTC DBI TYPE 13G/ASTM C-931 (LATEST REVISION).
2. CONCRETE: 4,000 PSI AT 28 DAYS.
3. REINFORCING: DOUBLE MAT #5 BAR @ 6" C.C. E.W. (GRADE 60).
4. STUB #5 BARS 5" OUT TOP SLAB AROUND OPENING @ 12" C/C.

15" X 27" OPENING  
 OFFSET IN SLAB

4 EA. CONAC .8 TON 8<sup>1</sup>/<sub>16</sub>"  
 (6MM) WIRE ROPE  
 ANCHORS FOR HANDLING.

FLOAT FINISH **PLAN VIEW**



**TOP VIEW**

Coating (Int):  
 Coating (Ext):

Seam Up: Flat  
 Seam Dn: Flat

Wall Thickness: 8"

Height (Ext): 0.667'

Weight (Net): 963 lb  
 Volume (Net): 0.25cu.yd