

Job Name: 25-3194 KYTC Todd Co Call 101 (251113)
 Job Location: Guthrie, KY
 Contractor: Mick-Murf Construction Inc.

Plant: Beaver Dam
 4/30/2026 1:23:19 PM

Tech: S. Felletter
 PC: T. Ryan



Structure ID: 3027 (1)

P2 BX024030-08LD08-15X27

CB FLAT TOP 8"W w/15"x27" HOLE F/F

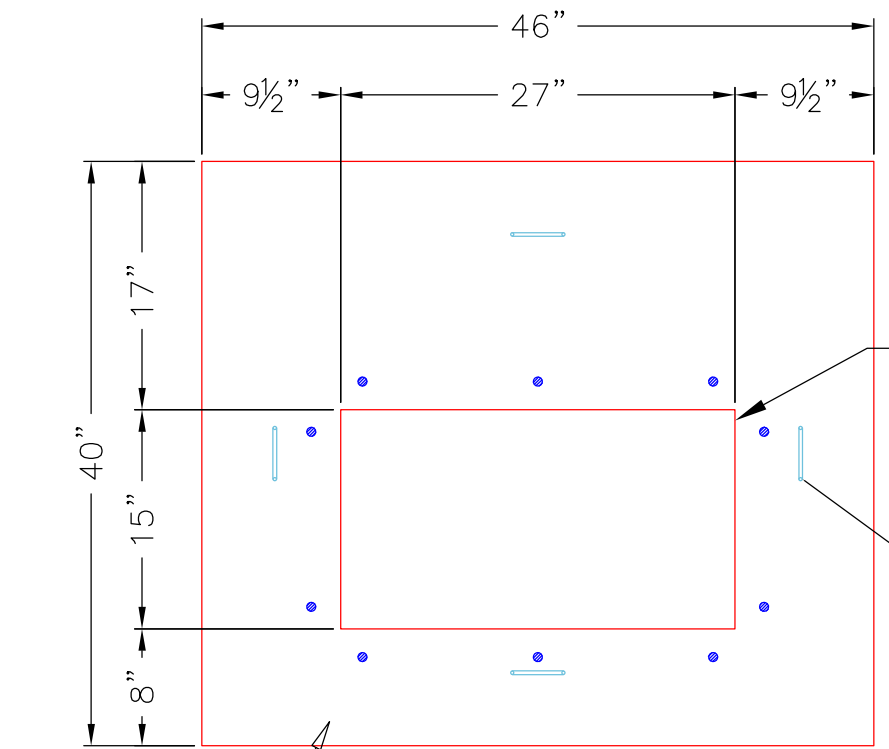
- P3) 15" x 27" - P.I.P. - BY OTHERS - 8"
- P2) 24" x 30" - CB FLAT TOP 8"W w/15"x27" HOLE F/F - 8"
- P1) 24" x 30" - BOX BASE 8inW, 8inF F/n - 18"
- 1) 24" x 30" - Conseal CS-102 1.00"
- 1) 15" x 27" - Conseal CS-102 1.00"
- 2) Hole - 16
- 2) Hole - 4

0 lb
 963 lb
 2635 lb
 0 lb
 0 lb
 0 lb
 0 lb

 Structure Total: 3599 lb

Structure Notes:
****KYTC STATE PROJECT****
 1. KYTC DBI TYPE 13G / ASTM C-913 SPEC'S.
 2. CONCRETE = 4,000 PSI AT 28 DAYS.
 3. STUB #5 BARS 5" OUT TOP SLAB AROUND OPENING @12" C/C.
 4. DBI TYPE 13G CASTING BY OTHERS.

 REINFORCING PER ASTM A615 (GRADE 60).
 - TOP SLAB (As .62) #5 BARS AT 6" C.C.E.W. (DBL MAT).
 - WALLS (As .31) #5 BARS AT 12" C.C.E.W.
 - FLOOR (As .31) #5 BARS AT 12" C.C.E.W.



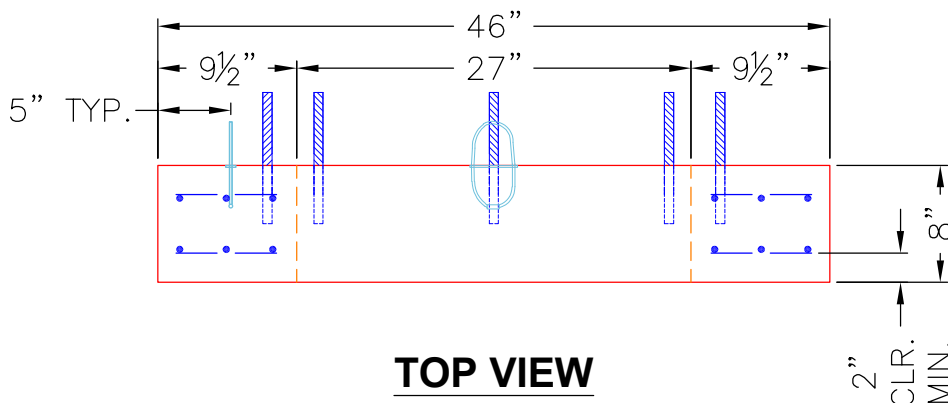
NOTES:

1. MANUFACTURED TO KYTC DBI TYPE 13G/ASTM C-931 (LATEST REVISION).
2. CONCRETE: 4,000 PSI AT 28 DAYS.
3. REINFORCING: DOUBLE MAT #5 BAR @ 6" C.C. E.W. (GRADE 60).
4. STUB #5 BARS 5" OUT TOP SLAB AROUND OPENING @ 12" C/C.

15" X 27" OPENING
 OFFSET IN SLAB

4 EA. CONAC .8 TON 8¹/₁₆"
 (6MM) WIRE ROPE
 ANCHORS FOR HANDLING.

FLOAT FINISH **PLAN VIEW**



TOP VIEW

Coating (Int):
 Coating (Ext):

Seam Up: Flat
 Seam Dn: Flat

Wall Thickness: 8"

Height (Ext): 0.667'

Weight (Net): 963 lb
 Volume (Net): 0.25cu.yd