

Job Name: 25-3194 KYTC Todd Co Call 101 (251113)
 Job Location: Guthrie, KY
 Contractor: Mick-Murf Construction Inc.

Plant: Beaver Dam
 4/30/2026 1:23:03 PM

Tech: S. Felletter
 PC: T. Ryan



Structure ID: 3027 (1)

P1 BX2430-08BA18

BOX BASE 8inW, 8inF F/n

- P3) 15" x 27" - P.I.P. - BY OTHERS - 8"
- P2) 24" x 30" - CB FLAT TOP 8"W w/15"x27" HOLE F/F - 8"
- P1) 24" x 30" - BOX BASE 8inW, 8inF F/n - 18"
- 1) 24" x 30" - Conseal CS-102 1.00"
- 1) 15" x 27" - Conseal CS-102 1.00"
- 2) Hole - 16
- 2) Hole - 4

0 lb
 963 lb
 2635 lb
 0 lb
 0 lb
 0 lb
 0 lb

 Structure Total: 3599 lb

- Structure Notes:**
 KYTC STATE PROJECT
1. KYTC DBI TYPE 13G / ASTM C-913 SPEC'S.
 2. CONCRETE = 4,000 PSI AT 28 DAYS.
 3. STUB #5 BARS 5" OUT TOP SLAB AROUND OPENING @12" C/C.
 4. DBI TYPE 13G CASTING BY OTHERS.

REINFORCING PER ASTM A615 (GRADE 60).
 - TOP SLAB (As .62) #5 BARS AT 6" C.C.E.W. (DBL MAT).
 - WALLS (As .31) #5 BARS AT 12" C.C.E.W.
 - FLOOR (As .31) #5 BARS AT 12" C.C.E.W.

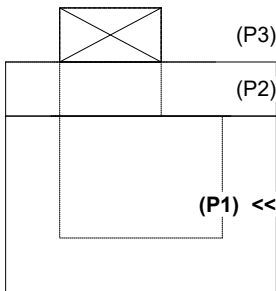
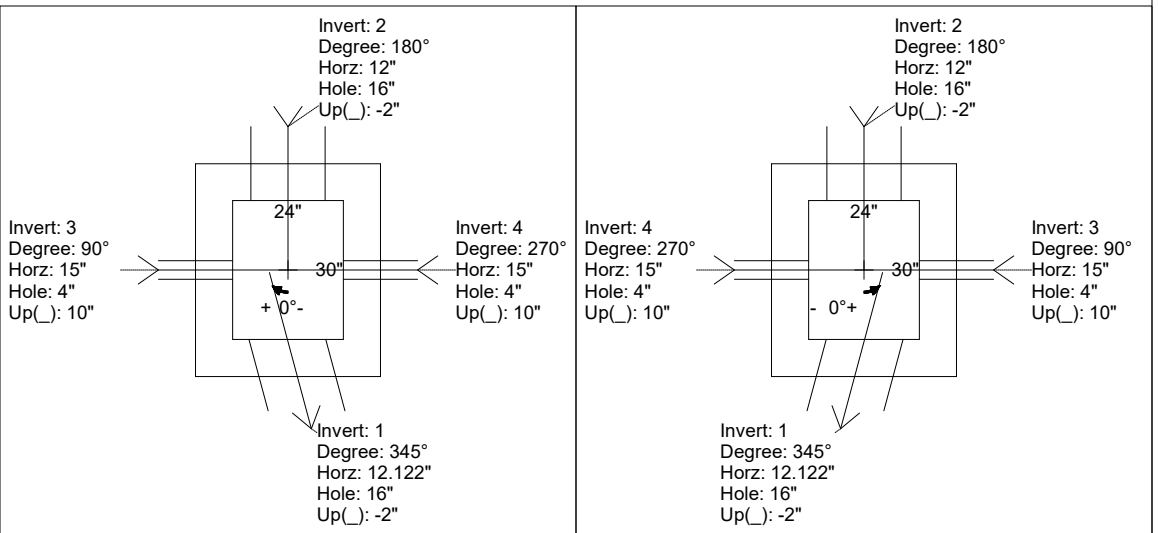
Rim: 525.29' Rim to Invert: 3.09' Slack: 0.257' Sump: 0' Step Position:

RFI: VERIFY OUTLET PIPE SIZE.

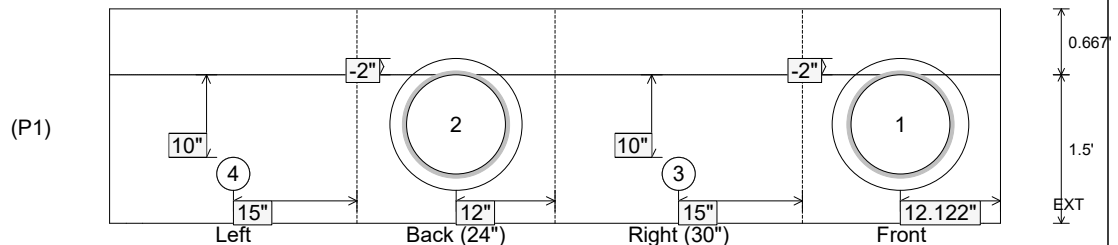
Position	Elev	Angle	Ext. (cw)	Pipe	Pipe OD	Connector	Hole	Horz Size	Up ()	Offset
Invert 1	522.2'	345°	17.978"	12" CMP	13"	Hole 16	16"	16.564"	-2"	4"
Invert 2	522.2'	180°	20"	12" CMP	13"	Hole 16	16"	16"	-2"	0"
Invert 3	523.033'	90°	23"	4" WEEP HOLE	4"	Hole 4	4"	4"	10"	0"
Invert 4	523.033'	270°	23"	4" WEEP HOLE	4"	Hole 4	4"	4"	10"	0"
Invert 5										
Invert 6										
Invert 7										
Invert 8										

RIGHT-SIDE UP VIEW (int. dimensions)

UPSIDE-DOWN VIEW (int. dimensions)



INSIDE WALL DIMENSIONS



Coating (Int):
 Coating (Ext):

Seam Up: Flat
 Seam Dn: n/a

Wall Thickness: 8"
 Floor Height: 0.667'

Height (Int): 1.5'
 Height (Ext): 2.167'

Weight (Net): 2635 lb
 Volume (Net): 0.67cu.yd