

**Job Name: 25-3182 - Silverstone Subdivision**  
**Job Location: Bowling Green, KY**  
**Contractor: R.A. Alexander & Sons, Inc.**

PC: T. Lewis  
 TECH: Jared - F  
 Plant: 100



Structure ID: **ST5**  
 Spec: Storm  
 Type: STM.MH  
 Size: 48"

Rim: 555.25'  
 Invert: 549.47'  
 Rim to Invert: 5.78'

Sump: 2.5"  
 Floor (Top): 549.262'  
 Floor Height: 6"

Floor (Bot): 548.762'  
 Overall Height: 6.458'  
 Slack: 0.36"

**Structure Notes:**

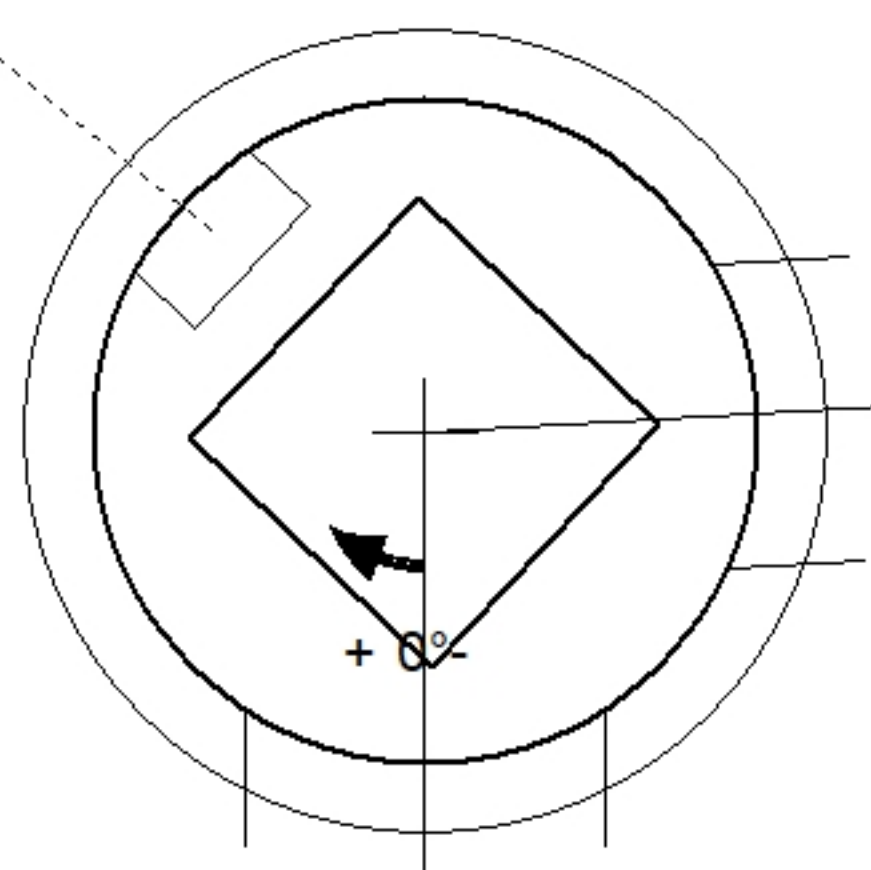
1. PER ASTM C478 SPECIFICATIONS.
2. CONCRETE = 4,000 PSI AT 28 DAYS.
3. NO INVERT CHANNEL.
4. CASTING BY ICAST (JBS 4075 F/G).

REINFORCING PER ASTM A615 (GRADE 60).  
 - TOP SLAB (As .62) #5 BARS AT 6" C.C.E.W..  
 - RISER/WALLS (As .12)  
 - FLOOR (As .31) #5 BARS AT 12" C.C.E.W

**STRUCTURE SUMMARY:**

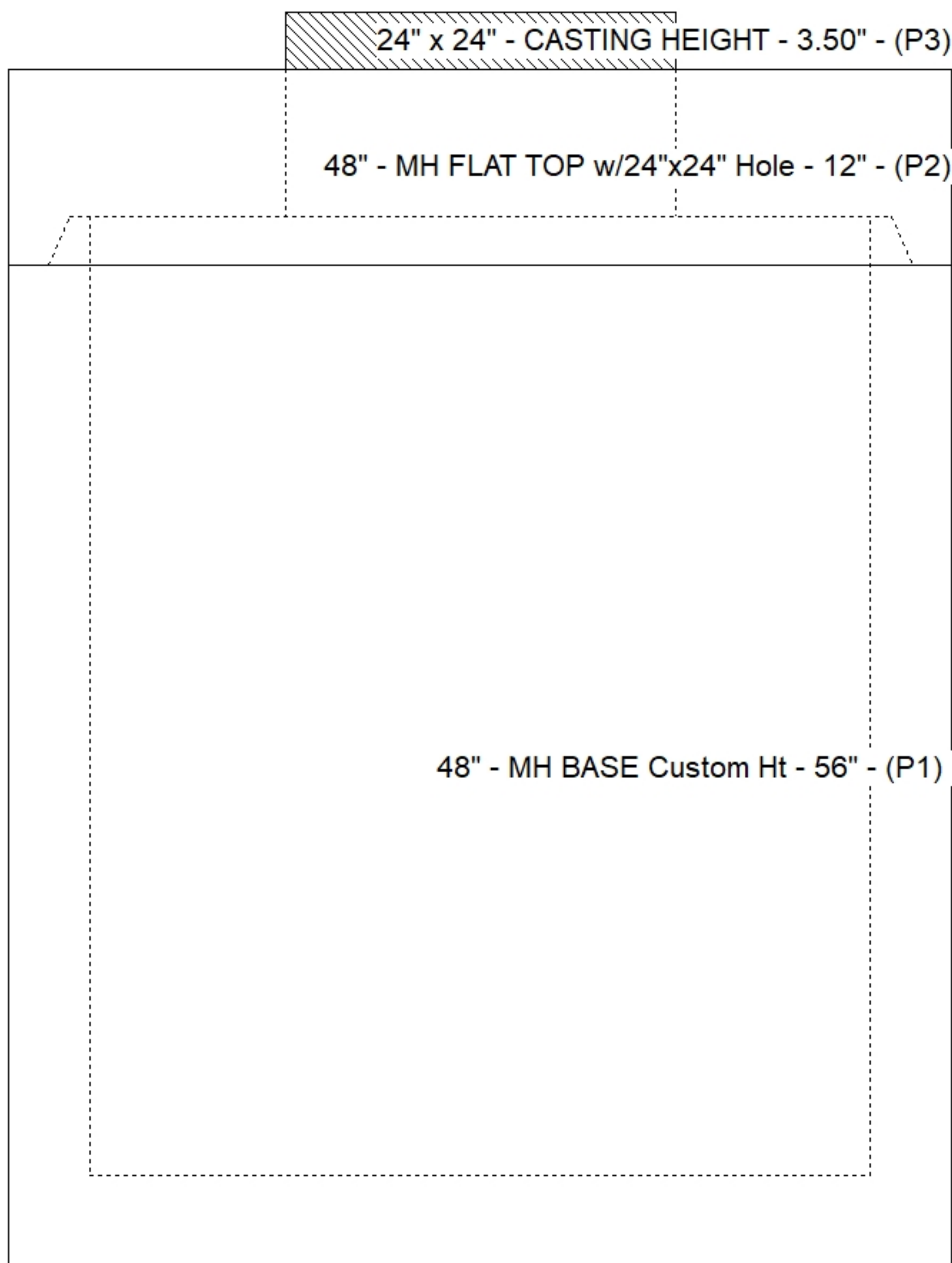
|  |                |
|--|----------------|
| P3) 24" x 24" - CASTING HEIGHT - 3.50"     | 0 lb           |
| P2) 48" - MH FLAT TOP w/24"x24" Hole - 12" | 1500 lb        |
| P1) 48" - MH BASE Custom Ht - 56"          | 4844 lb        |
| 1) CASTING - JBS 4075 F/G                  | 500 lb         |
| 1) 48" - Conseal CS-102 1.00"              | 0 lb           |
| 1) 24" x 24" - Conseal CS-102 1.00"        | 0 lb           |
| 1) Hole - 26                               | 0 lb           |
| 1) Hole - 22                               | 0 lb           |
| 4) MH Step ML-10-TDS-NCR - 10"             | 0 lb           |
| <b>Structure Total:</b>                    | <b>6844 lb</b> |

Step: 133.5°

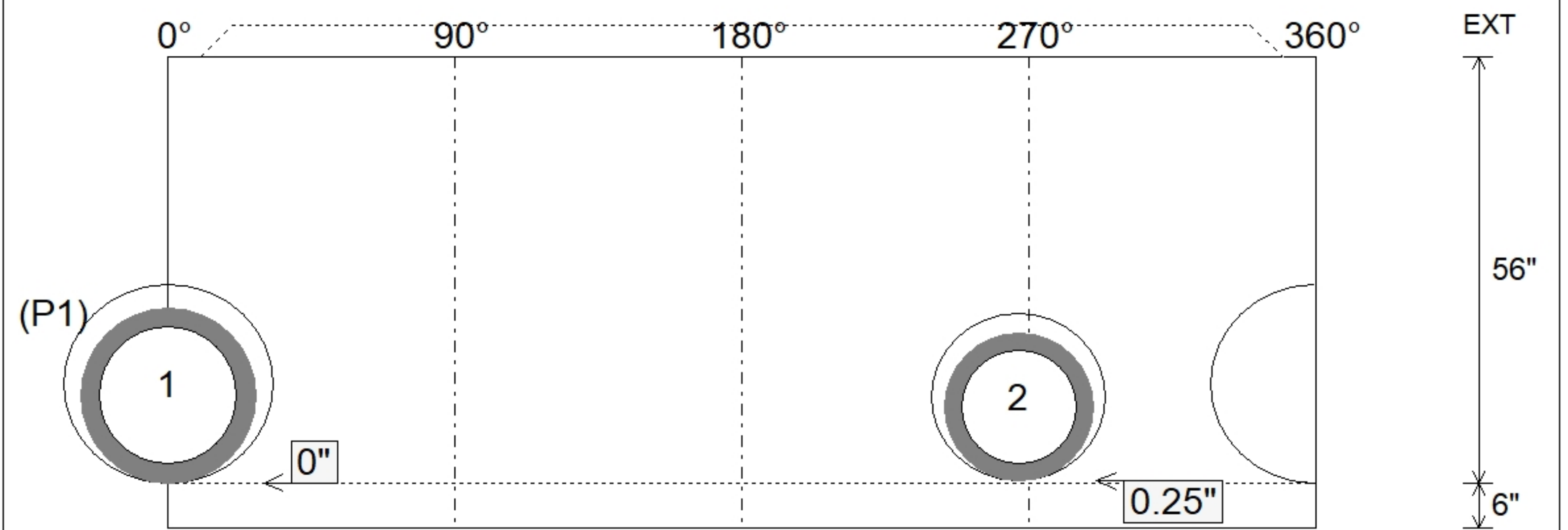


| Position | Elev    | Angle | Pipe           | Pipe OD | Hole | Connector | Up ( ) | Ref |
|----------|---------|-------|----------------|---------|------|-----------|--------|-----|
| Rim      | 555.25' |       |                |         |      |           |        |     |
| Reducer  |         |       |                |         |      |           |        |     |
| Invert 1 | 549.47' | 0°    | 18" RCP B WALL | 23"     | 26"  | Hole 26   | 0"     | P1  |
| Invert 2 | 549.47' | 267°  | 15" RCP B WALL | 19.5"   | 22"  | Hole 22   | 0.25"  | P1  |
| Invert 3 |         |       |                |         |      |           |        |     |
| Invert 4 |         |       |                |         |      |           |        |     |
| Invert 5 |         |       |                |         |      |           |        |     |
| Invert 6 |         |       |                |         |      |           |        |     |
| Invert 7 |         |       |                |         |      |           |        |     |
| Invert 8 |         |       |                |         |      |           |        |     |

Invert: 1  
Degree: 0°



**Default - Interior Dimensions**



Submittal Drawing  
 3/11/2026 8:04:46 AM

SUBMITTAL  
 APPROVED BY: