

Job Name: 25-3182 - Silverstone Subdivision
Job Location: Bowling Green, KY
Contractor: R.A. Alexander & Sons, Inc.

PC: T. Lewis
 TECH: Jared - F
 Plant: 100



Structure ID: **ST2**
 Spec: Storm
 Type: BX 8inW, 8inF
 Size: 24" x 78"

Rim: 552.37'
 Invert: 544.43'
 Rim to Invert: 7.94'

Sump: 3.5"
 Floor (Top): 544.138'
 Floor Height: 8"

Floor (Bot): 543.472'
 Overall Height: 8.854'
 Slack: 0.53"

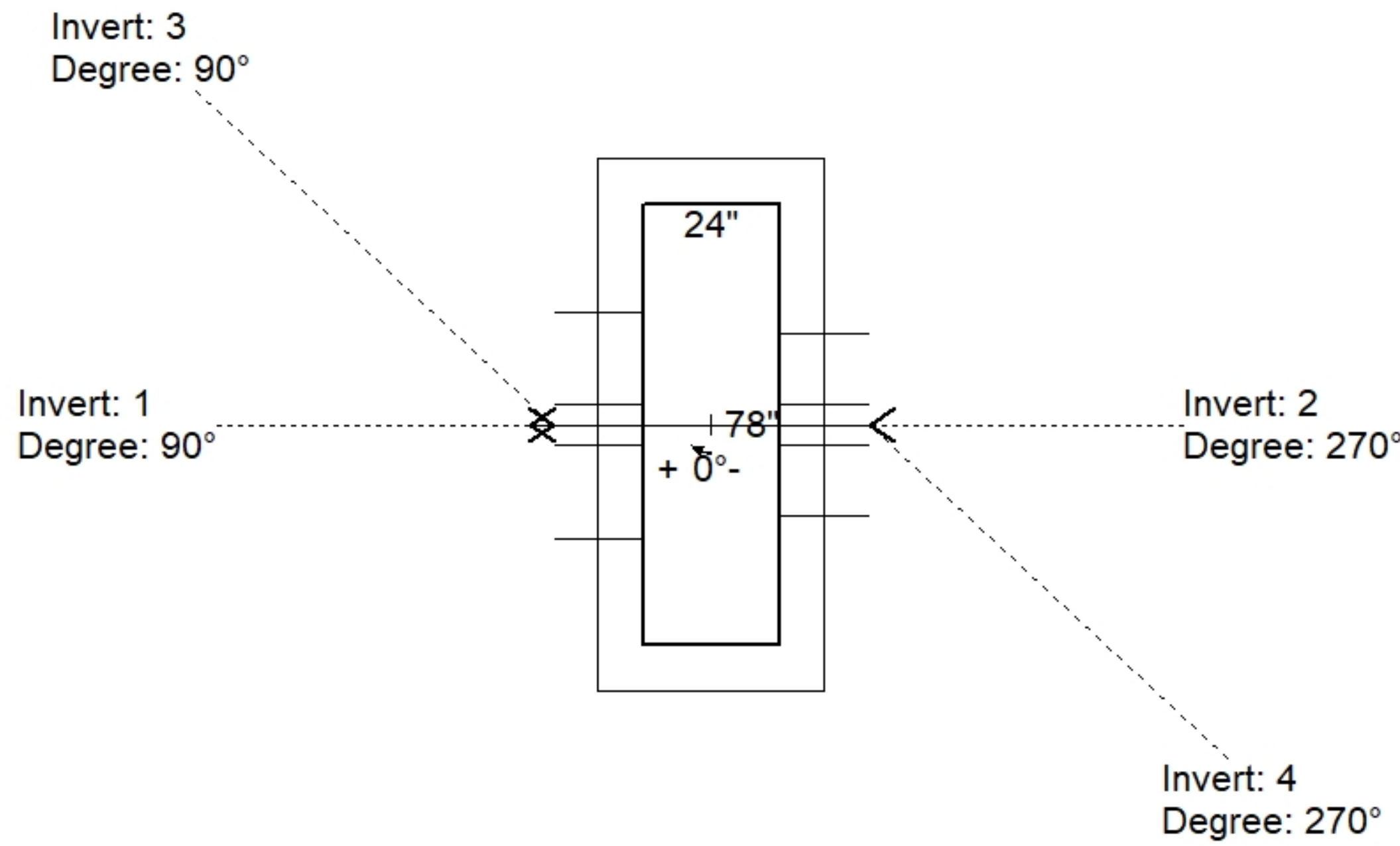
Structure Notes:

1. PER ASTM C913 SPECIFICATIONS.
2. CONCRETE = 4,000 PSI AT 28 DAYS.
3. NO STEPS AND NO INVERT CHANNEL.
4. CASTING BY ICAST (2ea. JBS 3070N F/G)

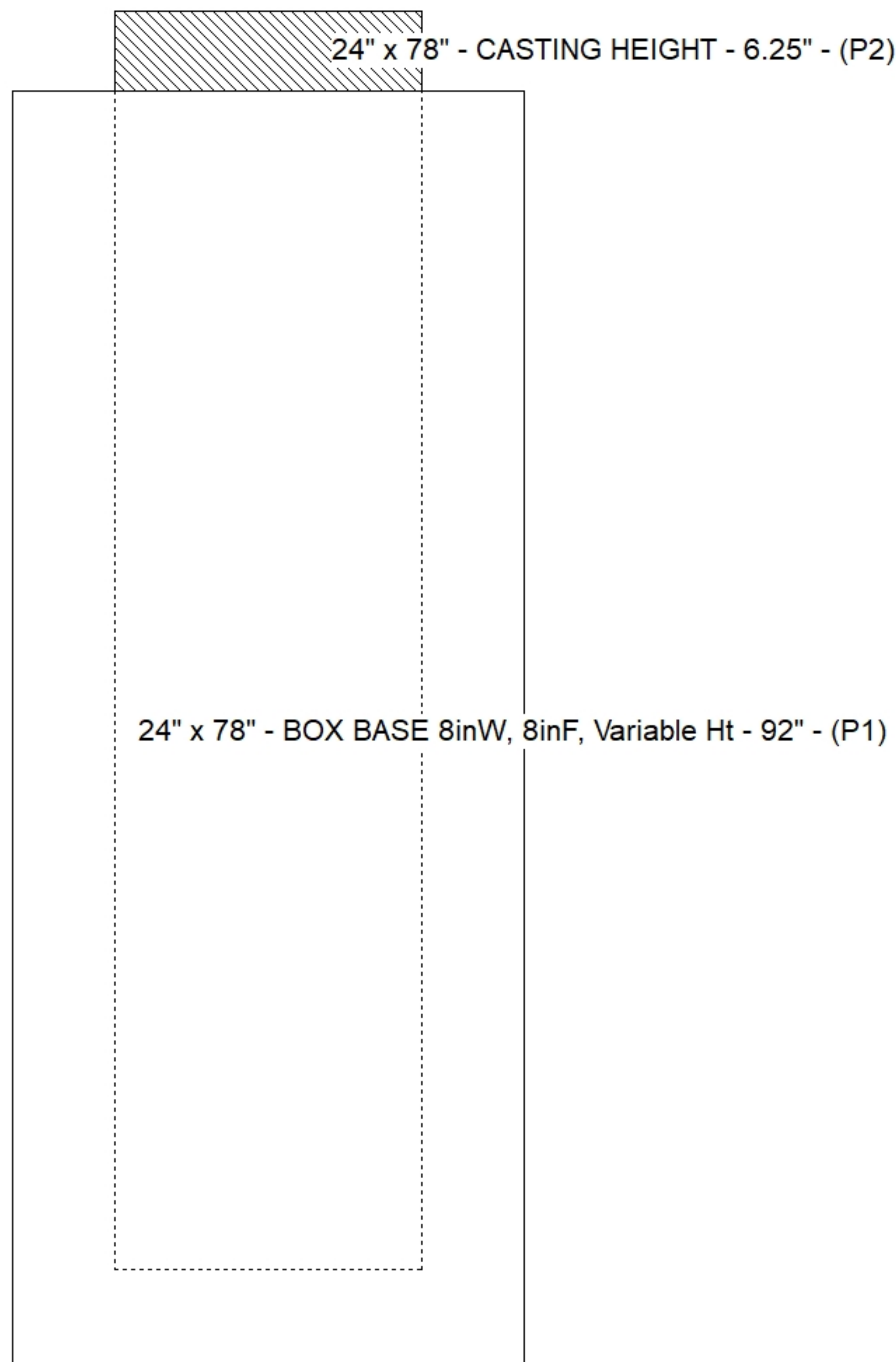
REINFORCING PER ASTM A615 (GRADE 60).
 - WALLS (As .12) #5 BARS AT 12" C.C.E.W.
 - FLOOR (As .12) #5 BARS AT 12" C.C.E.W.

STRUCTURE SUMMARY:

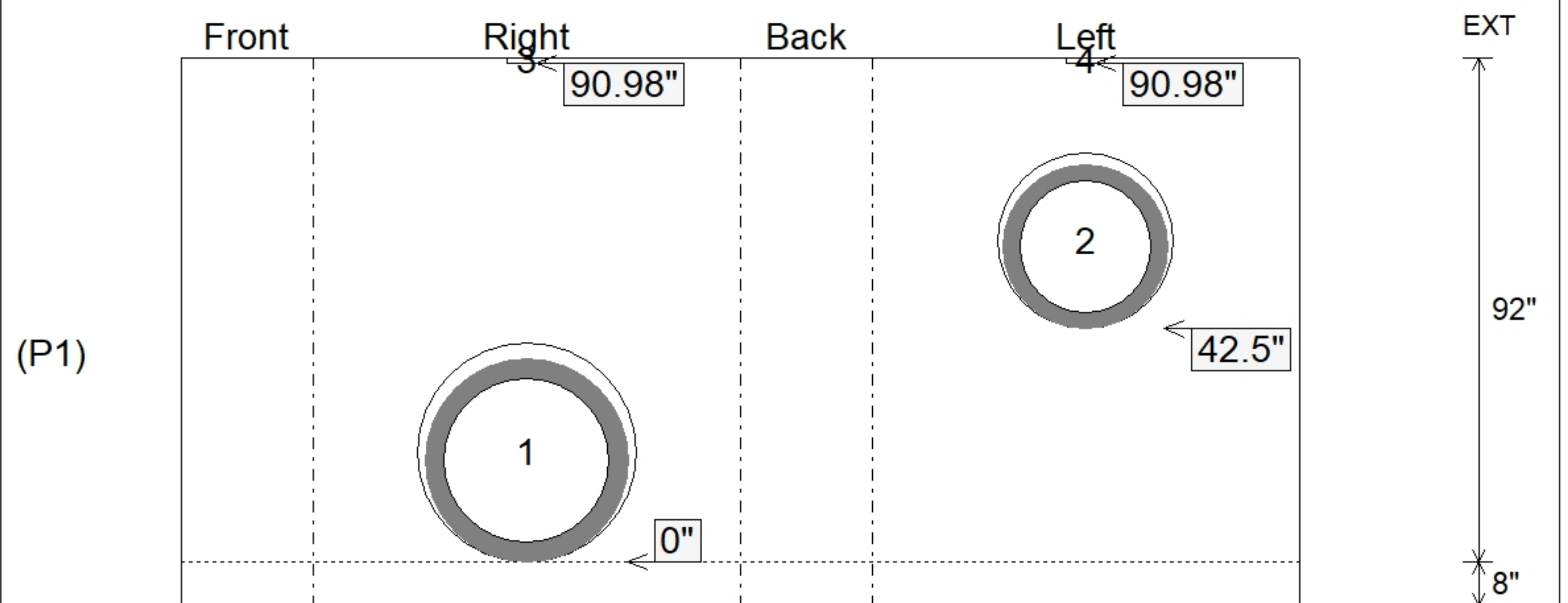
P2) 24" x 78" - CASTING HEIGHT - 6.25"	0 lb
P1) 24" x 78" - BOX BASE 8inW, 8inF, Variable Ht - 92"	15706 lb
1) Conseal CS-102 1.00" (Single)	0 lb
1) SECONDARY POUR - Walls	0 lb
2) CASTING - JBS 3070N F/G	1000 lb
1) Hole - 40	0 lb
1) Hole - 32	0 lb
2) LINTEL BAR SLOT - 7"x1"	0 lb
Structure Total:	16706 lb



Position	Elev	Angle	Pipe	Pipe OD	Hole	Connector	Up (")	Ref
Rim	552.37'							
Reducer								
Invert 1	544.43'	90°	30" RCP B WALL	37"	40"	Hole 40	0"	P1
Invert 2	547.93'	270°	24" RCP B WALL	30"	32"	Hole 32	42.5"	P1
Invert 3	551.72'	90°	7" x 1" LINTEL BAR SLOT	7" x 1"	7" x 1"	LINTEL BAR SLOT 7"x1"	90.98"	P1
Invert 4	551.72'	270°	7" x 1" LINTEL BAR SLOT	7" x 1"	7" x 1"	LINTEL BAR SLOT 7"x1"	90.98"	P1
Invert 5								
Invert 6								
Invert 7								
Invert 8								



Default - Interior Dimensions



Submittal Drawing
 3/11/2026 8:04:43 AM

SUBMITTAL
 APPROVED BY: