

Job Name: 25-3182 - Silverstone Subdivision
Job Location: Bowling Green, KY
Contractor: R.A. Alexander & Sons, Inc.

PC: T. Lewis
 TECH: Jared - F
 Plant: 100



Structure ID: **A6**
 Spec: Sanitary
 Type: SAN.MH
 Size: 48"

Rim: 558.31'
 Invert: 550.64'
 Rim to Invert: 7.67'

Sump: 2"
 Floor (Top): 550.473'
 Floor Height: 6"

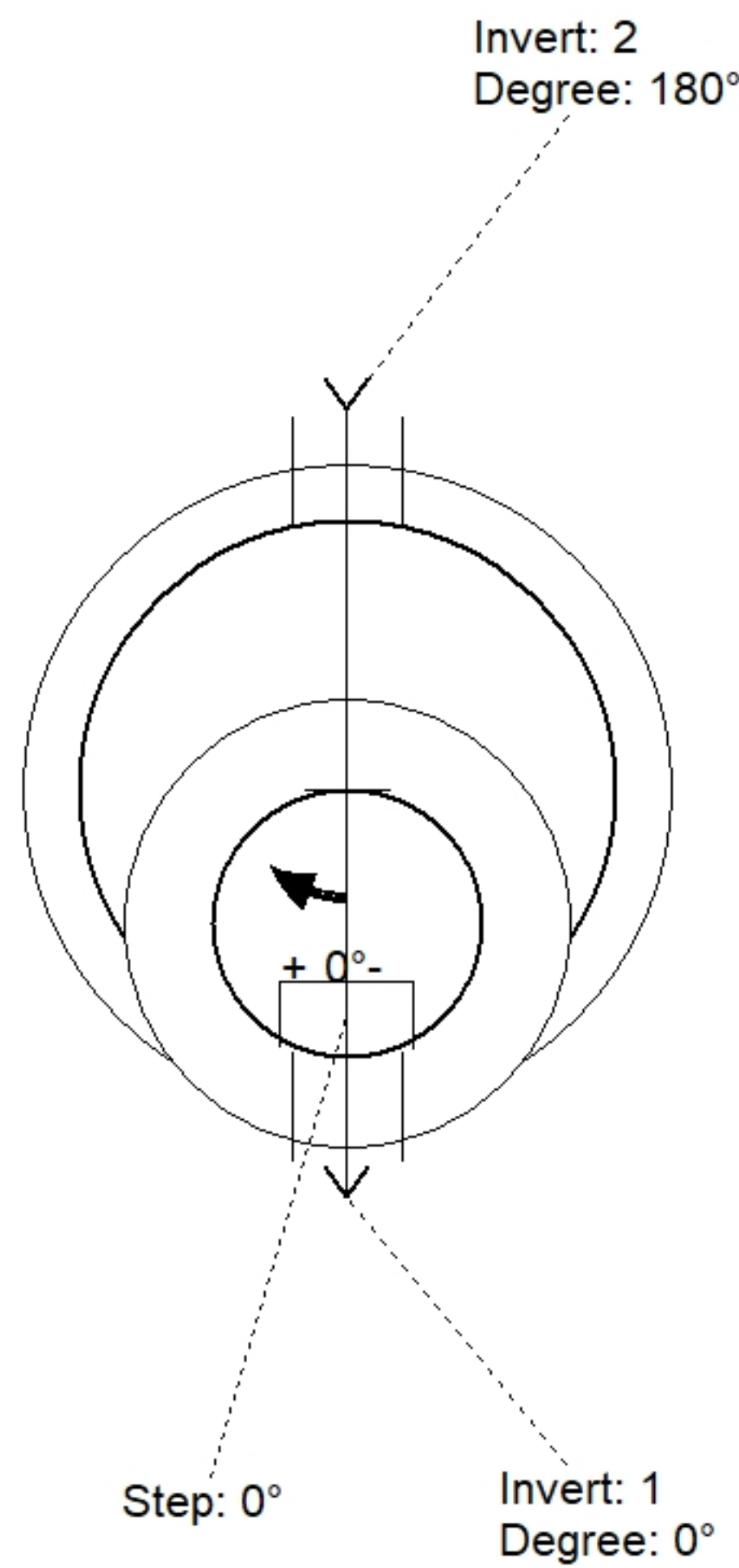
Floor (Bot): 549.973'
 Overall Height: 8.333'
 Slack: 0.04"

Structure Notes:
 1. PER ASTM C478 SPECIFICATIONS.
 2. CONCRETE = 4,000 PSI AT 28 DAYS.
 3. CASTING BY ICAST (HOE MC-375 F/C SANITARY).

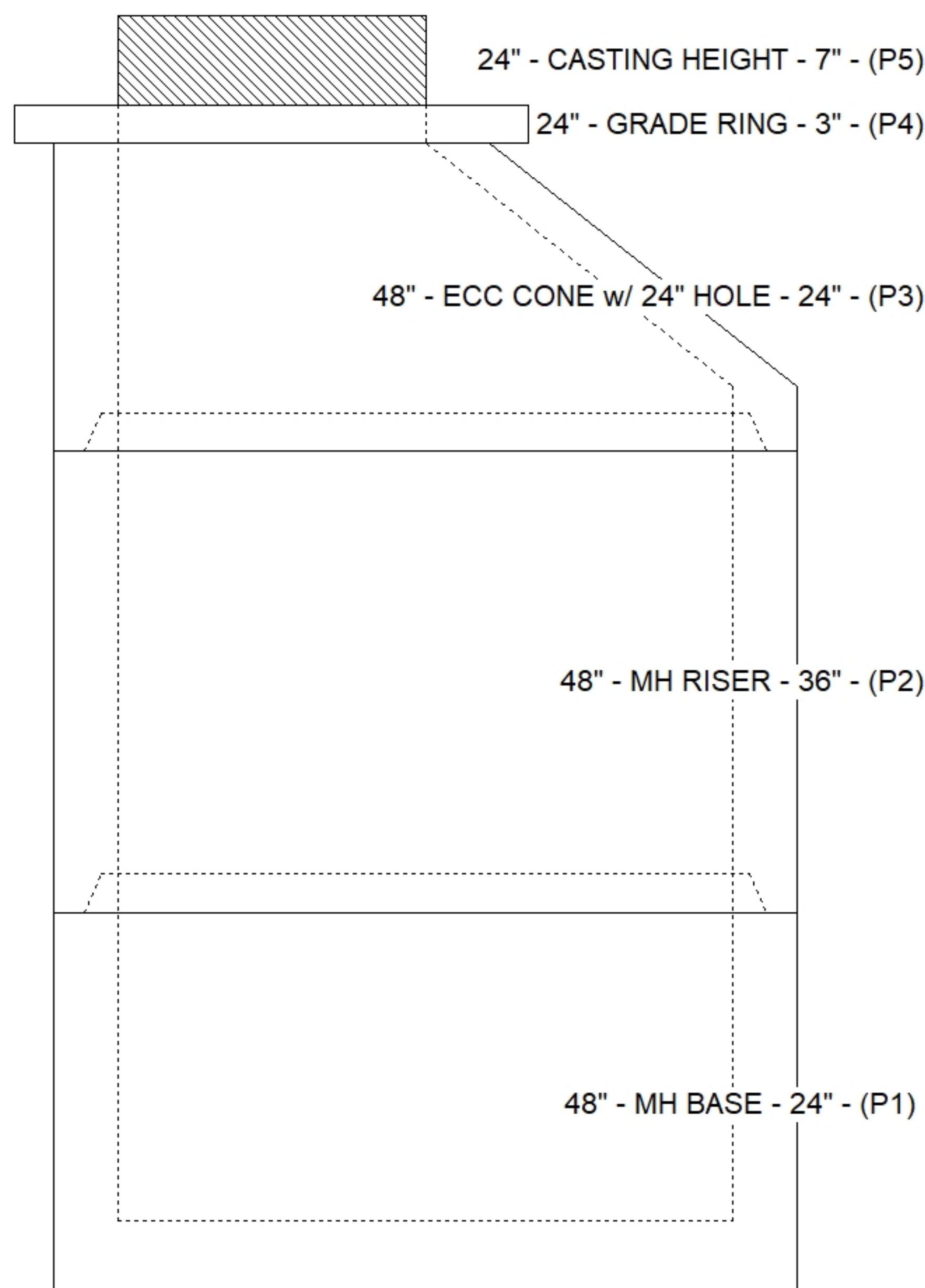
REINFORCING PER ASTM A615 (GRADE 60).
 - CONE (As .12)
 - RISER/WALLS (As .12)
 - FLOOR (As .31) #5 BARS AT 12" C.C.E.W.

STRUCTURE SUMMARY:

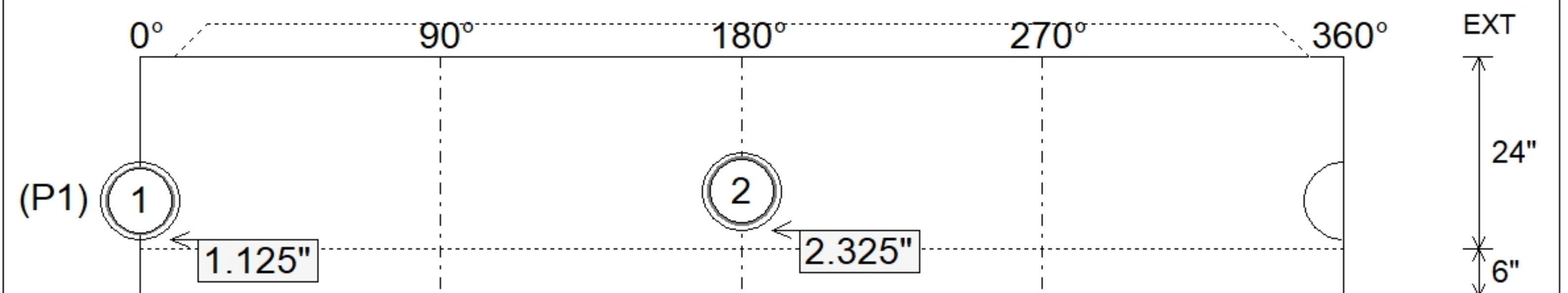
P5) 24" - CASTING HEIGHT - 7"	0 lb
P4) 24" - GRADE RING - 3"	202 lb
P3) 48" - ECC CONE w/ 24" HOLE - 24"	1550 lb
P2) 48" - MH RISER - 36"	2515 lb
P1) 48" - MH BASE - 24"	2944 lb
1) JOINT WRAP - 12" WD x 048" MAC WRAP	0 lb
1) 48" - MH INVERT CHANNEL - FULL HEIGHT	1440 lb
1) CASTING - HOE MC-375 F/C Sanitary	271 lb
2) 48" - Conseal CS-102 1.00" (Double)	0 lb
2) A-Lok - 0285	2 lb
6) MH Step ML-10-TDS-NCR - 10"	0 lb
Structure Total:	8924 lb



Position	Elev	Angle	Pipe	Pipe OD	Hole	Connector	Up (")	Ref
Rim	558.31'							
Reducer								
Invert 1	550.64'	0°	8" PVC SDR35	8.5"	9.75"	A-Lok 0285	1.125"	P1
Invert 2	550.74'	180°	8" PVC SDR35	8.5"	9.75"	A-Lok 0285	2.325"	P1
Invert 3								
Invert 4								
Invert 5								
Invert 6								
Invert 7								
Invert 8								



Default - Interior Dimensions



Submittal Drawing
 3/11/2026 8:04:41 AM

SUBMITTAL
 APPROVED BY: