

Job Name: 25-3182 - Silverstone Subdivision
Job Location: Bowling Green, KY
Contractor: R.A. Alexander & Sons, Inc.

PC: T. Lewis
 TECH: Jared - F
 Plant: 100



Structure ID: **A5**
 Spec: Sanitary
 Type: SAN.MH
 Size: 48"

Rim: 556.7'
 Invert: 549.92'
 Rim to Invert: 6.78'

Sump: 2"
 Floor (Top): 549.753'
 Floor Height: 6"

Floor (Bot): 549.253'
 Overall Height: 7.417'
 Slack: 0.36"

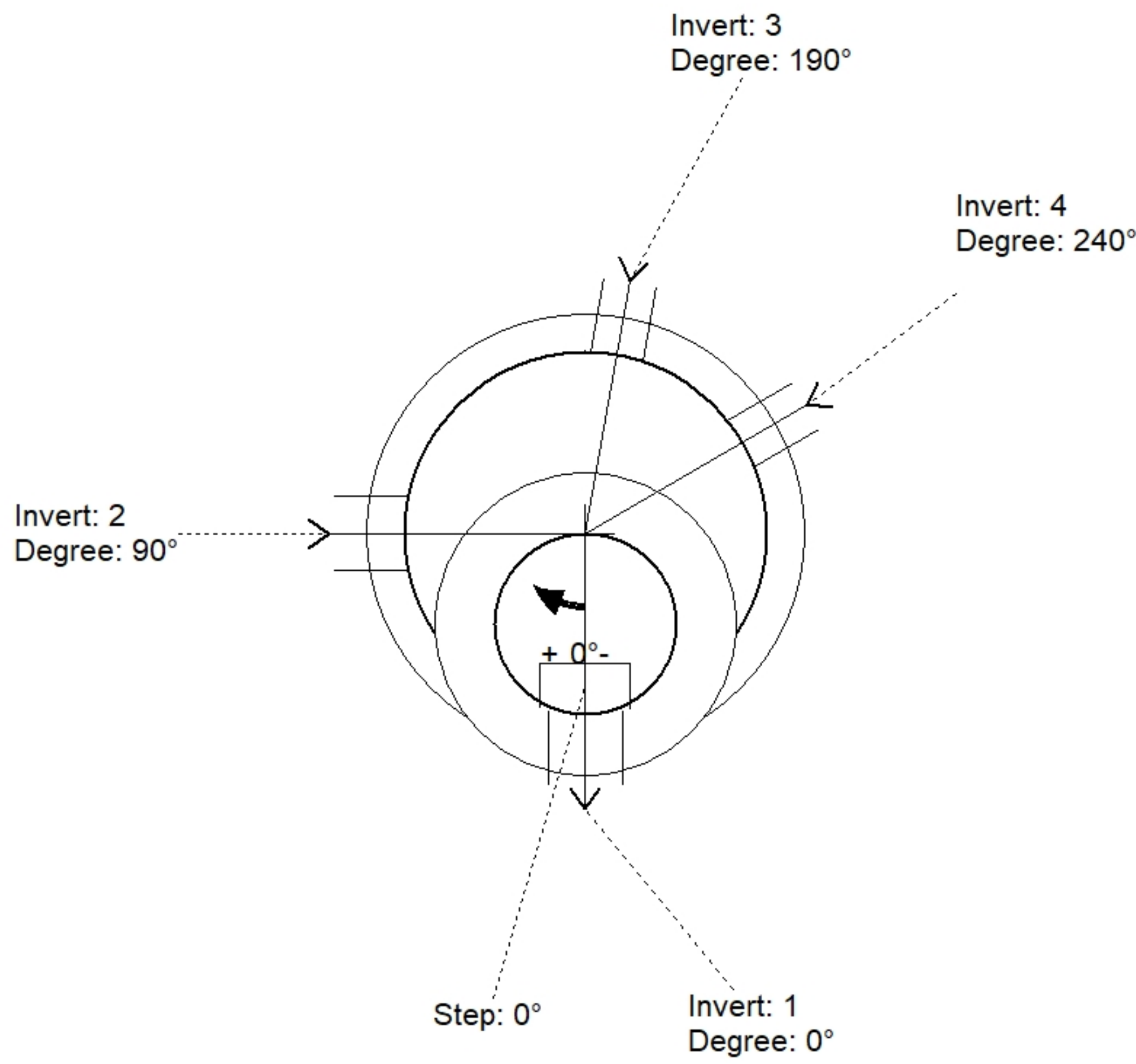
Structure Notes:

1. PER ASTM C478 SPECIFICATIONS.
2. CONCRETE = 4,000 PSI AT 28 DAYS.
3. CASTING BY ICAST (HOE MC-375 F/C SANITARY).

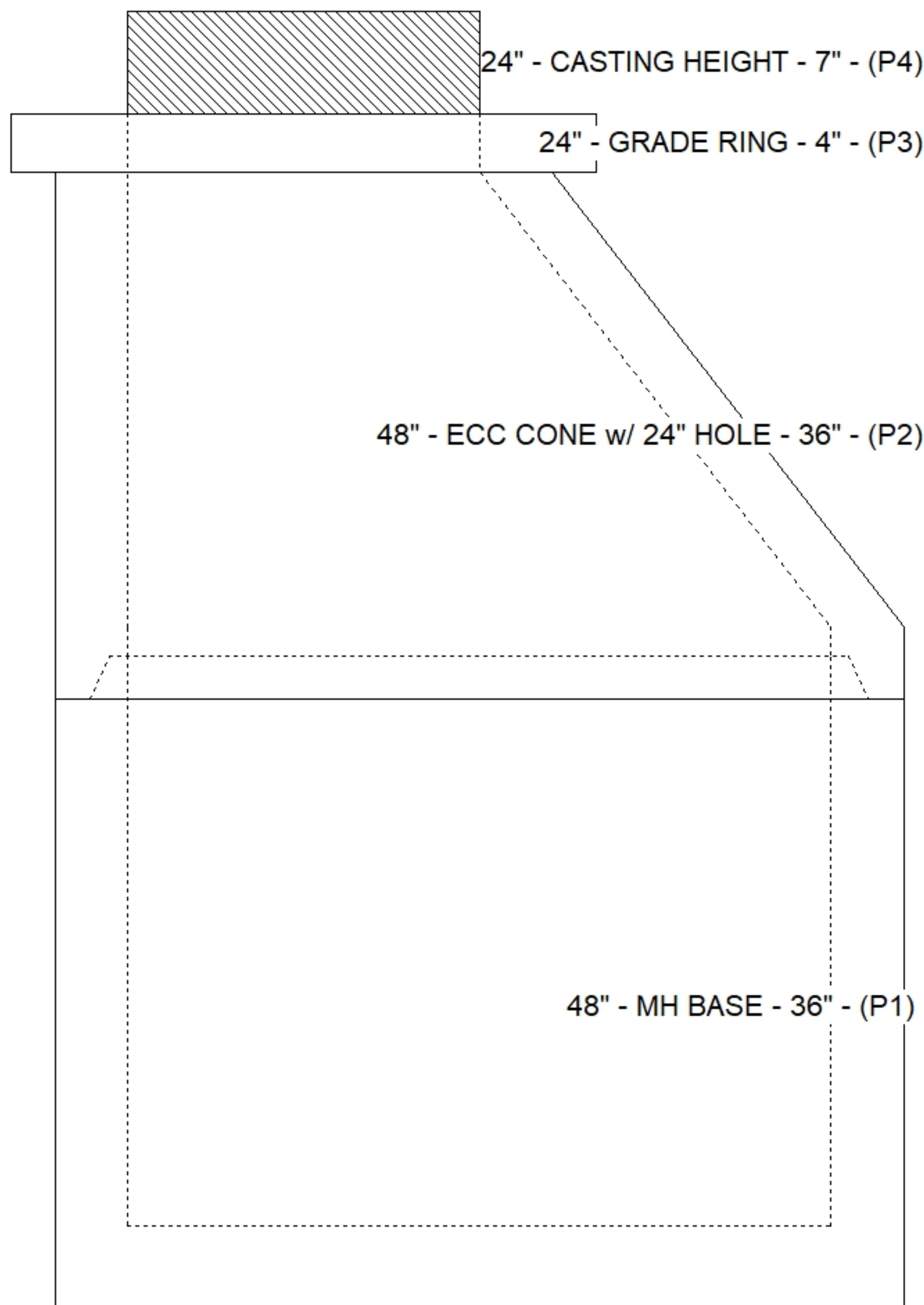
REINFORCING PER ASTM A615 (GRADE 60).
 - CONE (As .12)
 - RISER/WALLS (As .12)
 - FLOOR (As .31) #5 BARS AT 12" C.C.E.W.

STRUCTURE SUMMARY:

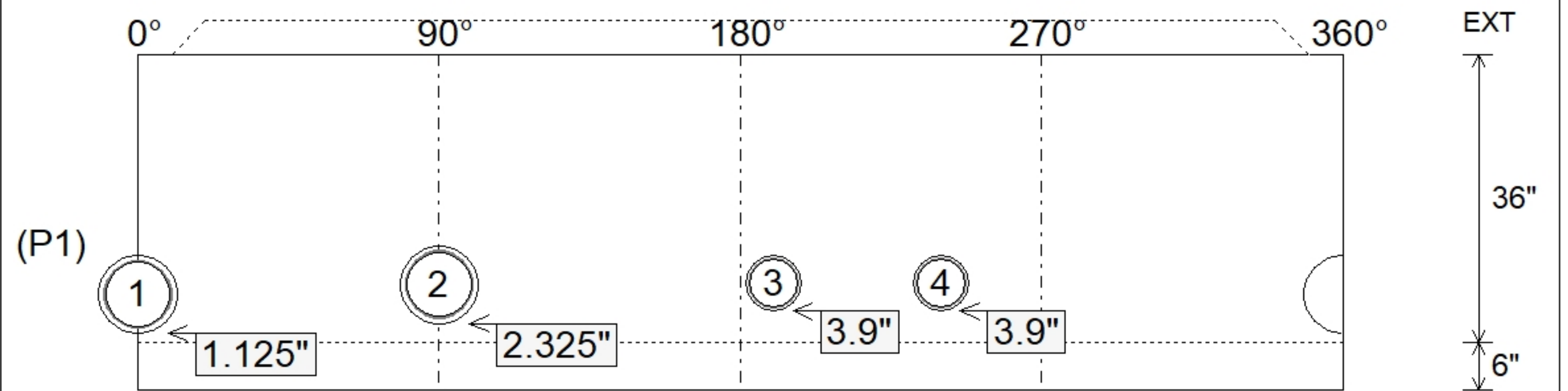
| | |
|--|----------------|
| P4) 24" - CASTING HEIGHT - 7" | 0 lb |
| P3) 24" - GRADE RING - 4" | 270 lb |
| P2) 48" - ECC CONE w/ 24" HOLE - 36" | 3000 lb |
| P1) 48" - MH BASE - 36" | 3750 lb |
| 1) JOINT WRAP - 12" WD x 048" MAC WRAP | 0 lb |
| 1) 48" - MH INVERT CHANNEL - FULL HEIGHT | 1440 lb |
| 1) CASTING - HOE MC-375 F/C Sanitary | 271 lb |
| 1) 48" - Conseal CS-102 1.00" (Double) | 0 lb |
| 2) A-Lok - 0285 | 2 lb |
| 2) A-Lok - 0200 | 2 lb |
| 5) MH Step ML-10-TDS-NCR - 10" | 0 lb |
| Structure Total: | 8735 lb |



| Position | Elev | Angle | Pipe | Pipe OD | Hole | Connector | Up (") | Ref |
|----------|---------|-------|--------------|---------|-------|------------|--------|-----|
| Rim | 556.7' | | | | | | | |
| Reducer | | | | | | | | |
| Invert 1 | 549.92' | 0° | 8" PVC SDR35 | 8.5" | 9.75" | A-Lok 0285 | 1.125" | P1 |
| Invert 2 | 550.02' | 90° | 8" PVC SDR35 | 8.5" | 9.75" | A-Lok 0285 | 2.325" | P1 |
| Invert 3 | 550.12' | 190° | 6" PVC SDR35 | 6.25" | 7" | A-Lok 0200 | 3.9" | P1 |
| Invert 4 | 550.12' | 240° | 6" PVC SDR35 | 6.25" | 7" | A-Lok 0200 | 3.9" | P1 |
| Invert 5 | | | | | | | | |
| Invert 6 | | | | | | | | |
| Invert 7 | | | | | | | | |
| Invert 8 | | | | | | | | |



Default - Interior Dimensions



Submittal Drawing
 3/11/2026 8:04:41 AM

SUBMITTAL
 APPROVED BY: