

**Job Name: 25-3182 - Silverstone Subdivision**  
**Job Location: Bowling Green, KY**  
**Contractor: R.A. Alexander & Sons, Inc.**

PC: T. Lewis  
 TECH: Jared - F  
 Plant: 100

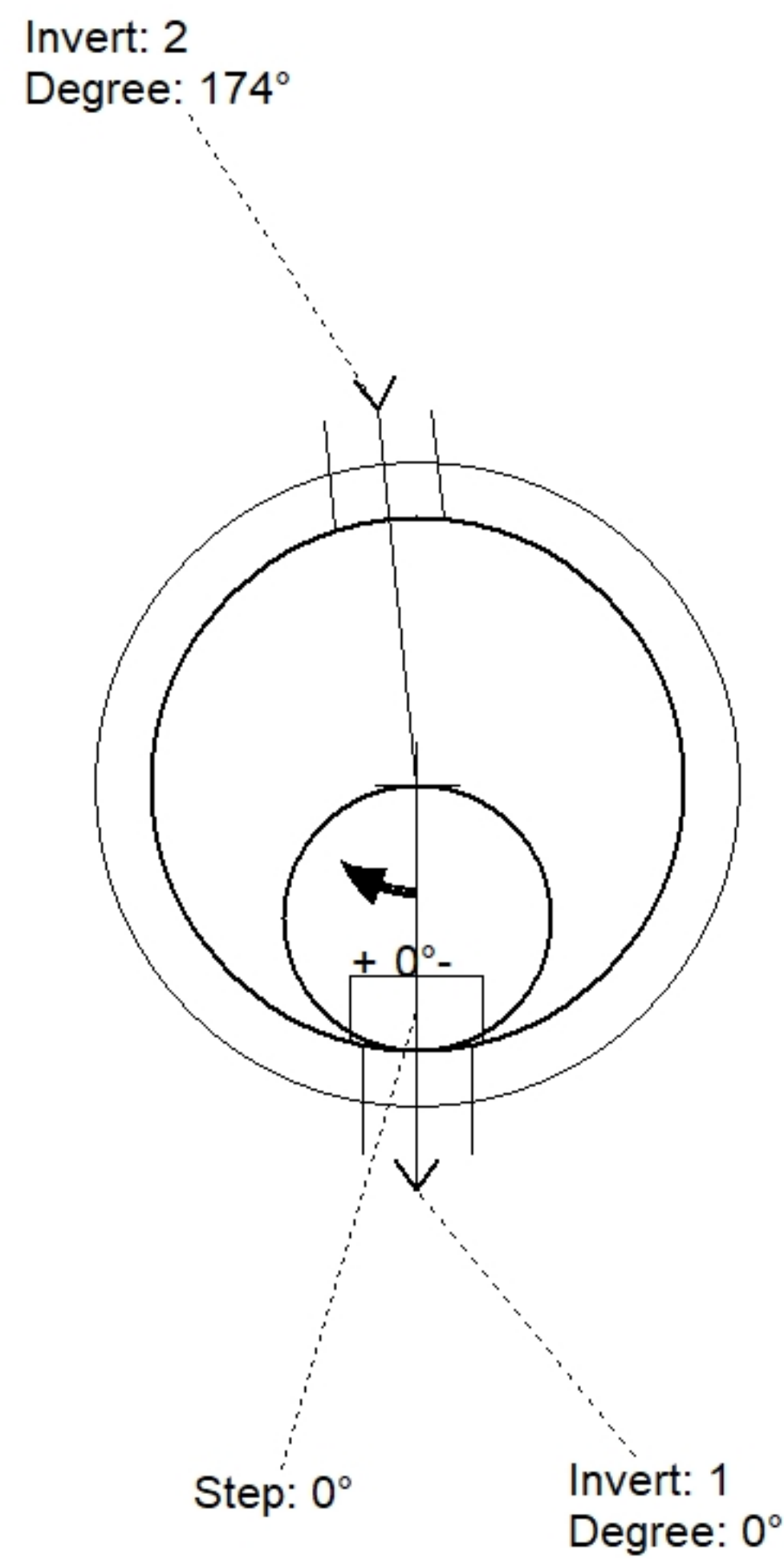


Structure ID: **A3**  
 Spec: Sanitary Rim: 554.38' Sump: 2" Floor (Bot): 546.553'  
 Type: SAN.MH Invert: 547.22' Floor (Top): 547.053' Overall Height: 7.583'  
 Size: 48" Rim to Invert: 7.16' Floor Height: 6" Slack: 2.92"

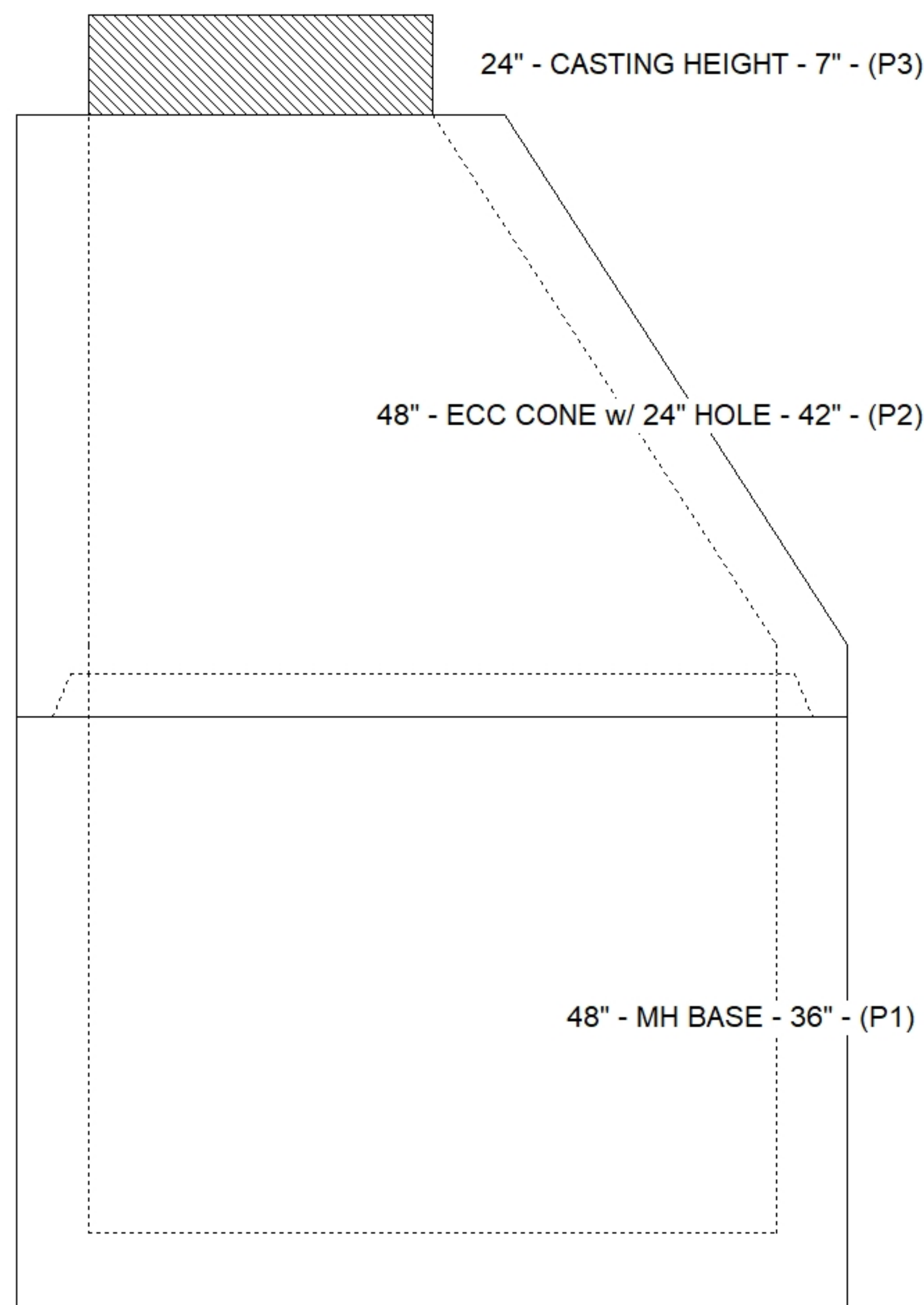
**Structure Notes:**  
 1. PER ASTM C478 SPECIFICATIONS.  
 2. CONCRETE = 4,000 PSI AT 28 DAYS.  
 3. CASTING BY ICAST (HOE MC-375 F/C SANITARY).  
  
 REINFORCING PER ASTM A615 (GRADE 60).  
 - CONE (As .12)  
 - RISER/WALLS (As .12)  
 - FLOOR (As .31) #5 BARS AT 12" C.C.E.W.

**STRUCTURE SUMMARY:**

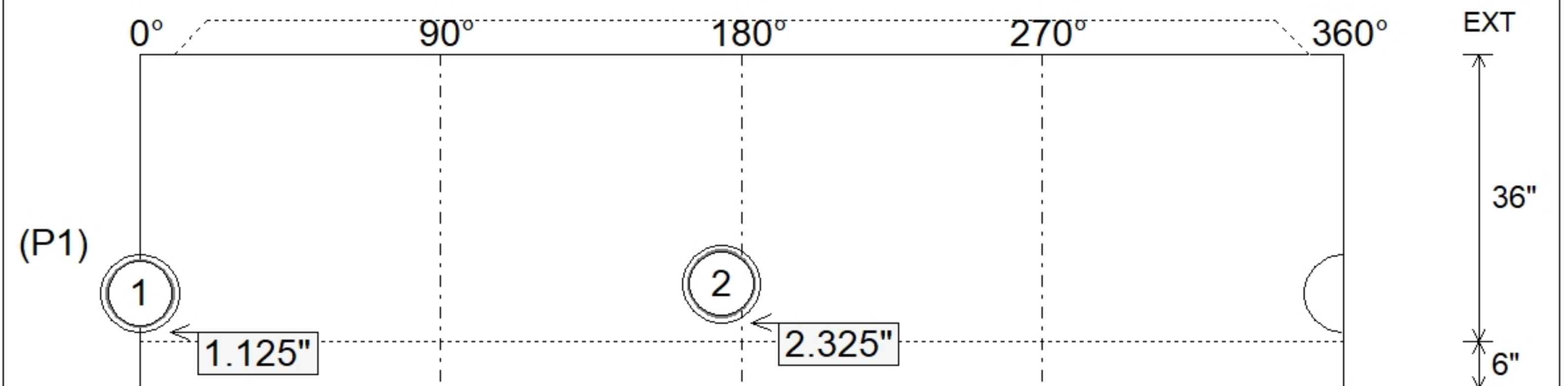
P3) 24" - CASTING HEIGHT - 7"	0 lb
P2) 48" - ECC CONE w/ 24" HOLE - 42"	3200 lb
P1) 48" - MH BASE - 36"	3782 lb
1) JOINT WRAP - 12" WD x 048" MAC WRAP	0 lb
1) 48" - MH INVERT CHANNEL - FULL HEIGHT	1440 lb
1) CASTING - HOE MC-375 F/C Sanitary	271 lb
1) 48" - Conseal CS-102 1.00" (Double)	0 lb
2) A-Lok - 0285	2 lb
6) MH Step ML-10-TDS-NCR - 10"	0 lb
<b>Structure Total:</b>	<b>8695 lb</b>



Position	Elev	Angle	Pipe	Pipe OD	Hole	Connector	Up (")	Ref
Rim	554.38'							
Reducer								
Invert 1	547.22'	0°	8" PVC SDR35	8.5"	9.75"	A-Lok 0285	1.125"	P1
Invert 2	547.32'	174°	8" PVC SDR35	8.5"	9.75"	A-Lok 0285	2.325"	P1
Invert 3								
Invert 4								
Invert 5								
Invert 6								
Invert 7								
Invert 8								



**Default - Interior Dimensions**



Submittal Drawing  
 3/11/2026 8:04:40 AM

SUBMITTAL  
 APPROVED BY: