

**Job Name: 25-3182 - Silverstone Subdivision**  
**Job Location: Bowling Green, KY**  
**Contractor: R.A. Alexander & Sons, Inc.**

PC: T. Lewis  
 TECH: Jared - F  
 Plant: 100



Structure ID: A1  
 Spec: Sanitary  
 Type: SAN.MH  
 Size: 48"

Rim: 557.53'  
 Invert: 544.95'  
 Rim to Invert: 12.58'

Sump: 2"  
 Floor (Top): 544.783'  
 Floor Height: 6"

Floor (Bot): 544.283'  
 Overall Height: 13.083'  
 Slack: 1.96"

**Structure Notes:**

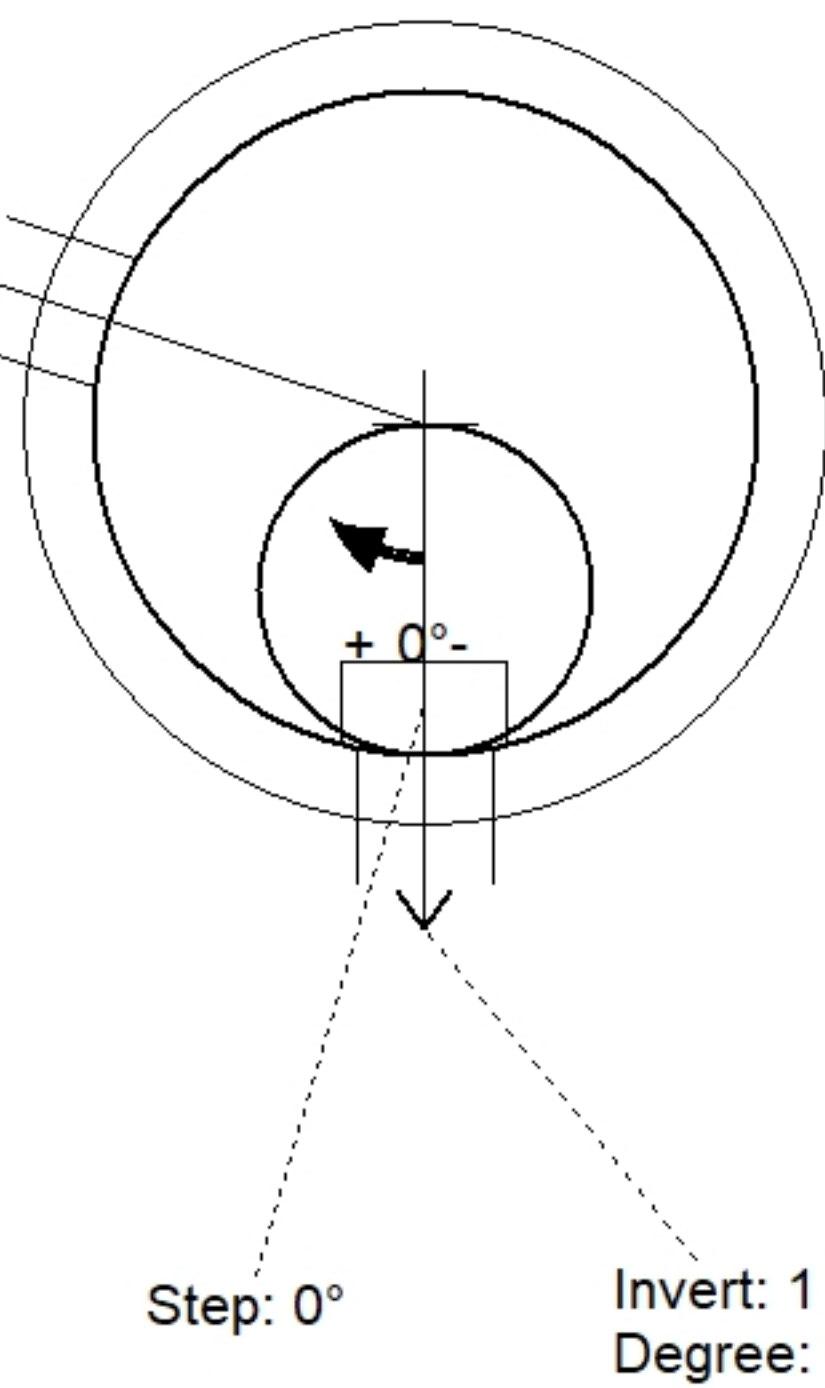
1. PER ASTM C478 SPECIFICATIONS.
2. CONCRETE = 4,000 PSI AT 28 DAYS.
3. CASTING BY ICAST (HOE MC-375 F/C SANITARY).

REINFORCING PER ASTM A615 (GRADE 60).  
 - CONE (As .12)  
 - RISER/WALLS (As .12)  
 - FLOOR (As .31) #5 BARS AT 12" C.C.E.W.

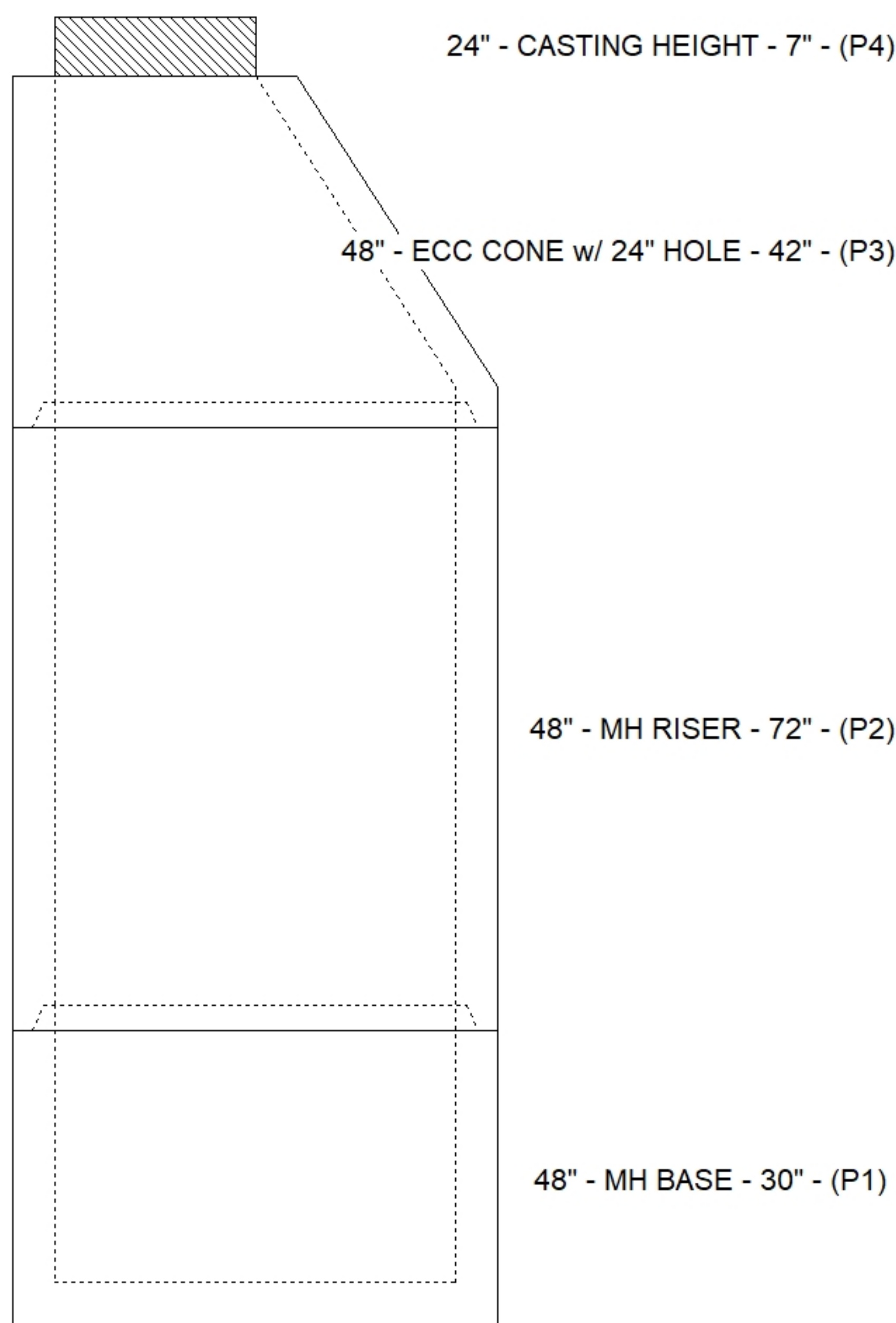
**STRUCTURE SUMMARY:**

P4) 24" - CASTING HEIGHT - 7"	0 lb
P3) 48" - ECC CONE w/ 24" HOLE - 42"	3200 lb
P2) 48" - MH RISER - 72"	5030 lb
P1) 48" - MH BASE - 30"	3363 lb
1) JOINT WRAP - 12" WD x 048" MAC WRAP	0 lb
1) 48" - MH INVERT CHANNEL - FULL HEIGHT	1440 lb
1) CASTING - HOE MC-375 F/C Sanitary	271 lb
2) 48" - Conseal CS-102 1.00" (Double)	0 lb
2) A-Lok - 0285	2 lb
12) MH Step ML-10-TDS-NCR - 10"	0 lb
<b>Structure Total:</b>	<b>13306 lb</b>

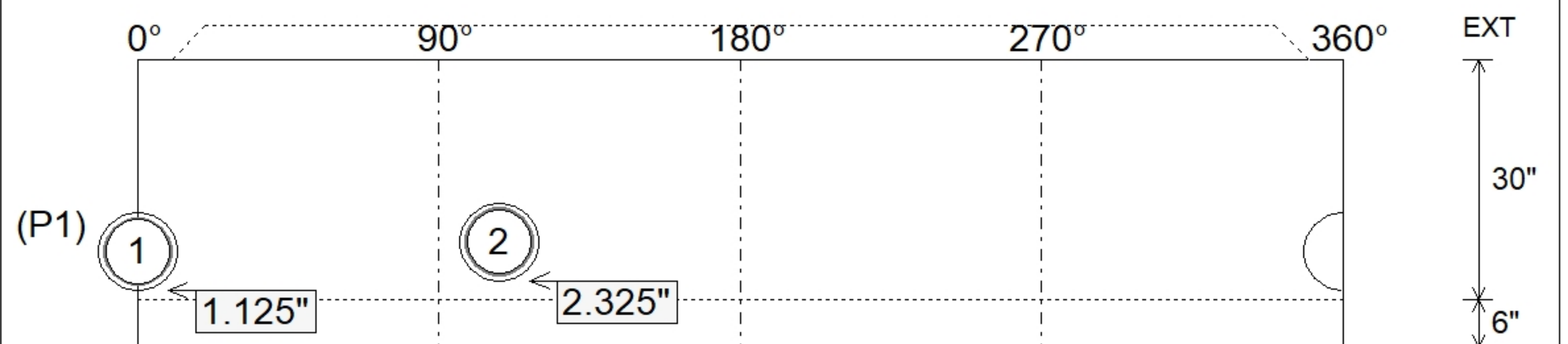
Invert: 2  
 Degree: 108°



Position	Elev	Angle	Pipe	Pipe OD	Hole	Connector	Up (")	Ref
Rim	557.53'							
Reducer								
Invert 1	544.95'	0°	8" PVC SDR35	8.5"	9.75"	A-Lok 0285	1.125"	P1
Invert 2	545.05'	108°	8" PVC SDR35	8.5"	9.75"	A-Lok 0285	2.325"	P1
Invert 3								
Invert 4								
Invert 5								
Invert 6								
Invert 7								
Invert 8								



**Default - Interior Dimensions**



Submittal Drawing  
 3/11/2026 8:04:38 AM

SUBMITTAL  
 APPROVED BY: