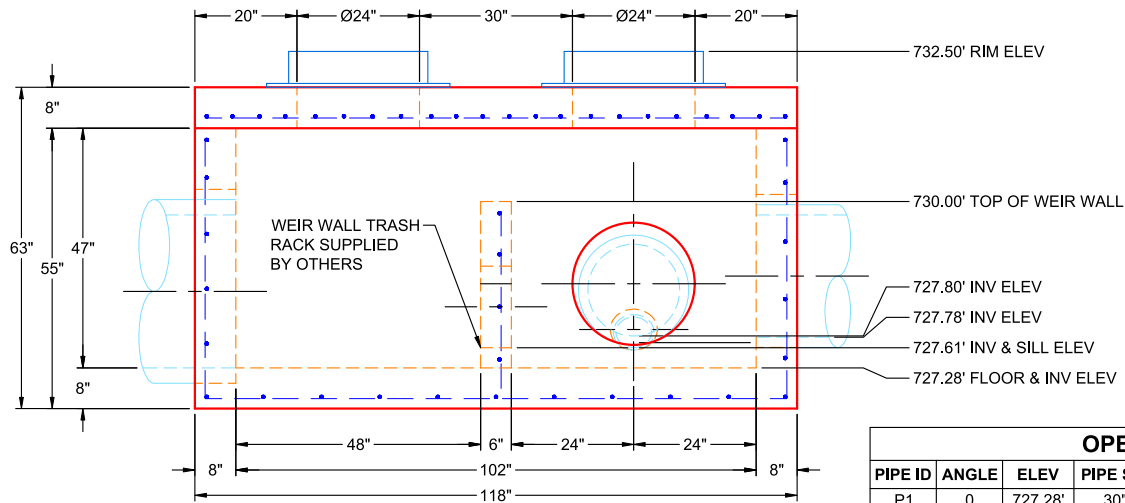


PLAN VIEW

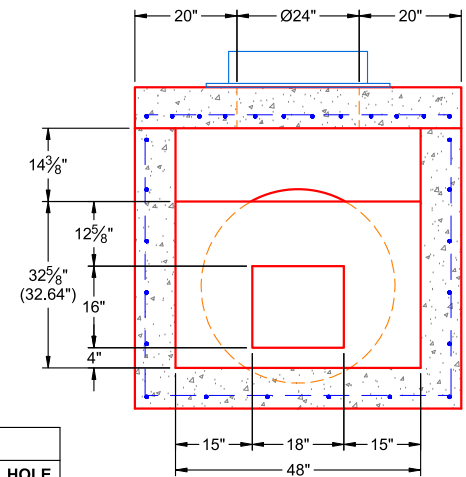
GENERAL NOTES:

1. MANUFACTURED PER ASTM C-913 (LATEST REVISION)
2. CONCRETE: 5,000 PSI AT 28 DAYS
3. REINFORCEMENT:
 - FLAT LID: #5 BAR @ 6" C.C. E.W. (GRADE 60)
 - BASE: #5 BAR @ 12" C.C. E.W. (GRADE 60)
 - WEIR WALL: #4 BAR @ 12" C.C. E.W. (GRADE 60)
4. WEIGHTS:

8" FLAT LID	4,766 LBS
47" BASE W/ WEIR WALL	14,589 LBS
TOTAL WEIGHT	19,355 LBS
5. CONTRACTOR TO VERIFY ALL DIMENSIONS BEFORE MANUFACTURE
6. SLACK: 0.64"
7. 2 EA. 7" CASTINGS (FRAMES & SOLID COVERS) TO BE SUPPLIED BY OTHERS
8. WEIR WALL TRASH RACK SUPPLIED BY OTHERS
9. JOINTS SEALED WITH CONSEAL CS-102 1" BUTYL



FRONT VIEW



**SECTION A-A
WEIR WALL**

OPENINGS					
PIPE ID	ANGLE	ELEV	PIPE SIZE & TYPE	CONNECTOR	HOLE
P1	0	727.28'	30" ADS N12	MORTAR	Ø38"
P2	120	727.61'	6" ADS N12	MORTAR	Ø8"
P3	180	727.80'	24" ADS N12	MORTAR	Ø30"
P4	270	727.78'	18" ADS N12	MORTAR	Ø24"

REVISION INFORMATION

REV. DATE: NO REVISIONS TO DATE



SUBMITTAL DRAWING: 48" X 102" OUTLET CONTROL STR.

CUSTOMER: RISING SUN DEVELOPMENT COMPANY

PROJECT: MSU MDAB

STRUCTURE: OCS

QUOTE/SALES ORDER NO: 25-3175

CHECKED BY: B. SMITH

DRAWN BY: K. CARDWELL

DATE: 10/29/25

SCALE: NTS

PG. 1 OF 1