

Job Name: 25-3175 - MSU MDAB
Job Location: Morehead, KY 40351
Contractor: Rising Sun Development Company

PC: J. Jarvis
 TECH: K. Cardwell
 Plant: Beaver Dam, KY



Structure ID: **MH2**
 Spec: Storm
 Type: STM.MH (Recessed pipe)
 Size: 48"

Rim: 732.35'
 Invert: 727.52'
 Rim to Invert: 4.83'

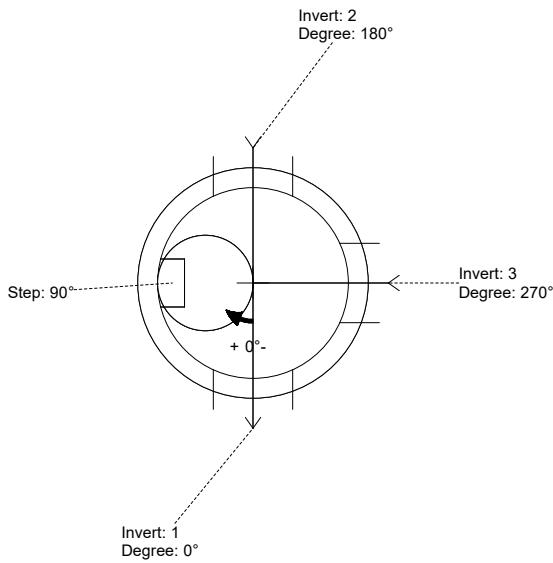
Sump: 0"
 Floor (Top): 727.52'
 Floor Height: 6"

Floor (Bot): 727.02'
 Overall Height: 5.083'
 Slack: 2.96"

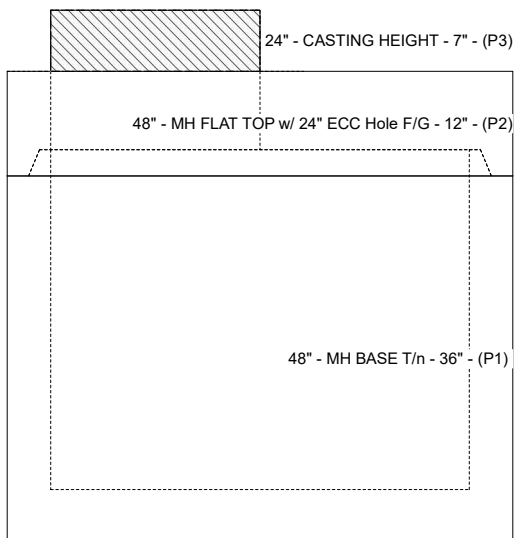
Structure Notes:
 PLAN LABEL: MH-2A
 1. PER ASTM C-478 SPECS
 2. CONCRETE: 4,000 PSI AT 28 DAYS
 3. REINFORCEMENT:
 - FLAT LID: #4 BAR @ 10" C.C. E.W. (GRADE 60)
 - BASE: PER ASTM A615
 4. STEPS AT 90 DEGREES
 5. 7" CASTING SUPPLIED BY OTHERS

STRUCTURE SUMMARY:

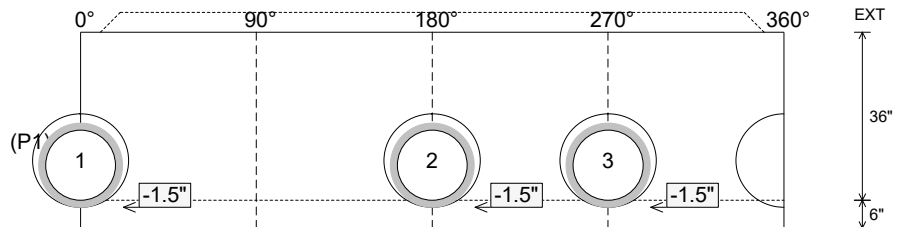
P3) 24" - CASTING HEIGHT - 7"	0 lb
P2) 48" - MH FLAT TOP w/ 24" ECC Hole F/G - 12"	1561 lb
P1) 48" - MH BASE T/n - 36"	3439 lb
1) 48" - Conseal CS-102 1.00"	0 lb
3) Hole - 20	0 lb
3) MH Step ML-10-TDS-NCR - 10"	0 lb
Structure Total:	5000 lb



Position	Elev	Angle	Pipe	Pipe OD	Hole	Connector	Up (")	Ref
Rim	732.35'							
Reducer								
Invert 1	727.52'	0°	15" ADS N-12	18"	20"	Hole 20	-1.5"	P1
Invert 2	727.52'	180°	15" ADS N-12	18"	20"	Hole 20	-1.5"	P1
Invert 3	727.52'	270°	15" ADS N-12	18"	20"	Hole 20	-1.5"	P1
Invert 4								
Invert 5								
Invert 6								
Invert 7								
Invert 8								



Cast (Int. Dim.) - Interior Dimensions



Submittal Drawing
 10/29/2025 11:02:27 AM

SUBMITTAL
 APPROVED BY: