

**Job Name: 25-3175 - MSU MDAB**  
**Job Location: Morehead, KY 40351**  
**Contractor: Rising Sun Development Company**

PC: J. Jarvis  
 TECH: K. Cardwell  
 Plant: Beaver Dam, KY



Structure ID: **MH1B**

Spec: Storm  
 Type: STM.MH (Recessed pipe)  
 Size: 48"

Rim: 732.44'  
 Invert: 727.98'  
 Rim to Invert: 4.46'

Sump: 0"  
 Floor (Top): 727.98'  
 Floor Height: 6"

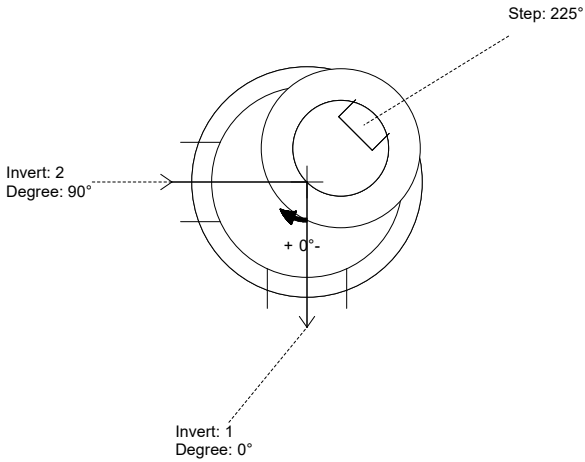
Floor (Bot): 727.48'  
 Overall Height: 4.917'  
 Slack: 0.52"

**Structure Notes:**

- PLAN LABEL: MH-1B
- 1. PER ASTM C-478 SPECS
- 2. CONCRETE: 4,000 PSI AT 28 DAYS
- 3. REINFORCEMENT:
  - FLAT LID: #4 BAR @ 10" C.C. E.W. (GRADE 60)
  - BASE: PER ASTM A615
- 4. STEPS AT 225 DEGREES
- 5. 7" CASTING SUPPLIED BY OTHERS

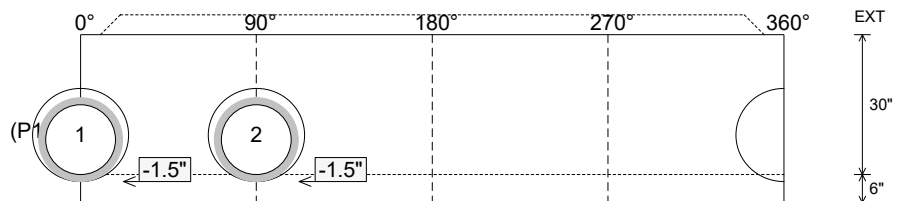
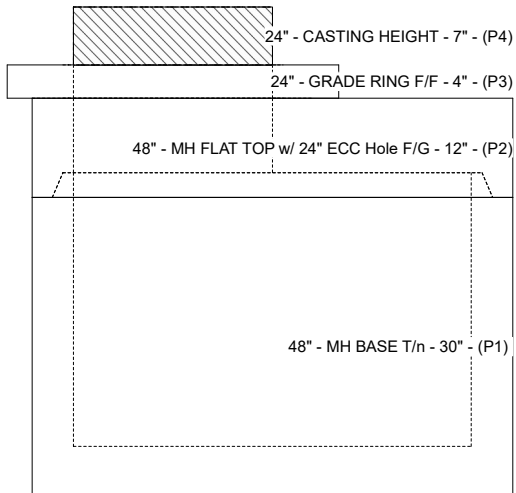
**STRUCTURE SUMMARY:**

- P4) 24" - CASTING HEIGHT - 7" 0 lb
- P3) 24" - GRADE RING F/F - 4" 270 lb
- P2) 48" - MH FLAT TOP w/ 24" ECC Hole F/G - 12" 1561 lb
- P1) 48" - MH BASE T/n - 30" 3155 lb
- 1) 48" - Conseal CS-102 1.00" 0 lb
- 2) Hole - 20 0 lb
- 3) MH Step ML-10-TDS-NCR - 10" 0 lb
- Structure Total: 4986 lb**



Position	Elev	Angle	Pipe	Pipe OD	Hole	Connector	Up ( )	Ref
Rim	732.44'							
Reducer								
Invert 1	727.98'	0°	15" ADS N-12	18"	20"	Hole 20	-1.5"	P1
Invert 2	727.98'	90°	15" ADS N-12	18"	20"	Hole 20	-1.5"	P1
Invert 3								
Invert 4								
Invert 5								
Invert 6								
Invert 7								
Invert 8								

**Cast (Int. Dim.) - Interior Dimensions**



Submittal Drawing  
 10/29/2025 11:02:26 AM

SUBMITTAL  
 APPROVED BY: