

Job Name: 25-3175 - MSU MDAB
Job Location: Morehead, KY 40351
Contractor: Rising Sun Development Company

PC: J. Jarvis
 TECH: K. Cardwell
 Plant: Beaver Dam, KY



Structure ID: **MH1**
 Spec: Storm
 Type: STM.MH (Recessed pipe)
 Size: 72"

Rim: 732.34'
 Invert: 727.3'
 Rim to Invert: 5.04'

Sump: 24"
 Floor (Top): 725.3'
 Floor Height: 8"

Floor (Bot): 724.633'
 Overall Height: 7.667'
 Slack: 0.48"

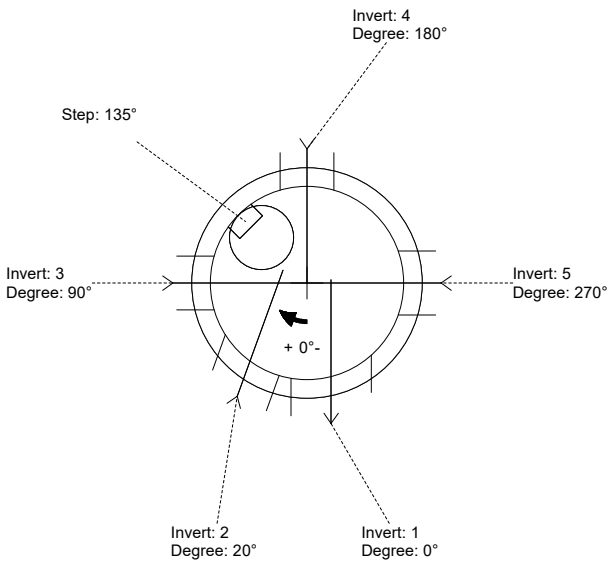
Structure Notes:

- PLAN LABEL: MH-1A
 1. PER ASTM C-478 SPECS
 2. CONCRETE: 4,000 PSI AT 28 DAYS
 3. REINFORCEMENT:
 - FLAT LID TOP MAT: #4 BAR @ 18" C.C. E.W. (GRADE 60)
 - FLAT LID BOTTOM MAT: #4 BAR @ 9" C.C. E.W. (GRADE 60)
 - BASE: PER ASTM A615
 4. STEPS AT 135 DEGREES
 5. 7" CASTING SUPPLIED BY OTHERS
 6. INVERT 1 OFFSET 9" FROM CENTER
 7. INVERT 2 OFFSET 10" FROM CENTER

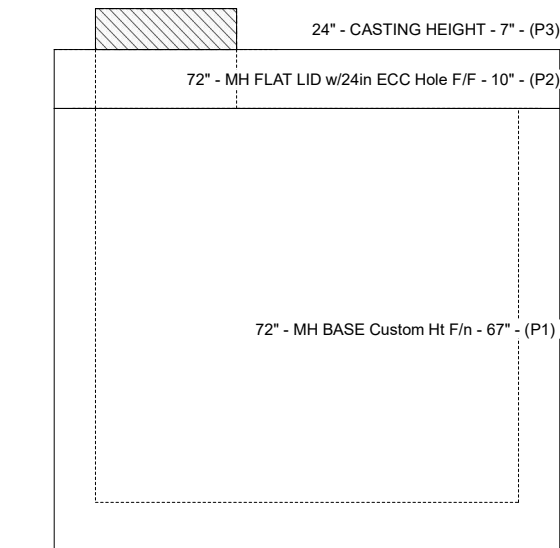
STRUCTURE SUMMARY:

- P3) 24" - CASTING HEIGHT - 7"
 P2) 72" - MH FLAT LID w/24in ECC Hole F/F - 10"
 P1) 72" - MH BASE Custom Ht F/n - 67"
 1) 72" - Conseal CS-102 1.00"
 1) Hole - 30
 2) Hole - 24
 2) Hole - 20
 4) MH Step ML-10-TDS-NCR - 10"
- 0 lb
 4495 lb
 12301 lb
 0 lb
 0 lb
 0 lb
 0 lb
 0 lb
 0 lb

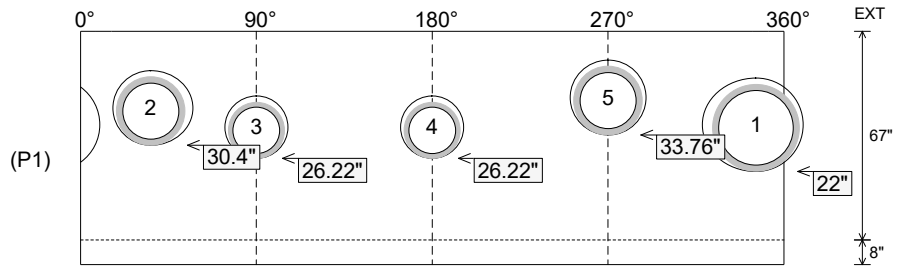
 Structure Total: 16796 lb



Position	Elev	Angle	Pipe	Pipe OD	Hole	Connector	Up ()	Ref
Rim	732.34'							
Reducer								
Invert 1	727.3'	0°	24" ADS N-12	28"	30"	Hole 30	22"	P1
Invert 2	728'	20°	18" ADS N-12	22"	24"	Hole 24	30.4"	P1
Invert 3	727.61'	90°	15" ADS N-12	18"	20"	Hole 20	26.22"	P1
Invert 4	727.61'	180°	15" ADS N-12	18"	20"	Hole 20	26.22"	P1
Invert 5	728.28'	270°	18" ADS N-12	22"	24"	Hole 24	33.76"	P1
Invert 6								
Invert 7								
Invert 8								



Cast (Int. Dim.) - Interior Dimensions



Submittal Drawing
 10/29/2025 11:02:27 AM

SUBMITTAL
 APPROVED BY: